

REVISION

ZONE	LTR	ECN	DESCRIPTION	DATE	APPROVED
	A	37953	NEW RELEASE	7/7/88	<i>[Signature]</i>
	B	4134	UPDATE NOTE 1.	3/12/02	TC

.060-80 UNC-2A THD  
(CAP SCREW) STAINLESS STEEL  
PASSIVATED

PIN CONTACT.  
COPPER ALLOY, GOLD PLTD

.035 TYP  
.015

.300 REF

INSULATOR, GLASS  
FILLED NYLON,  
COLOR BLUE

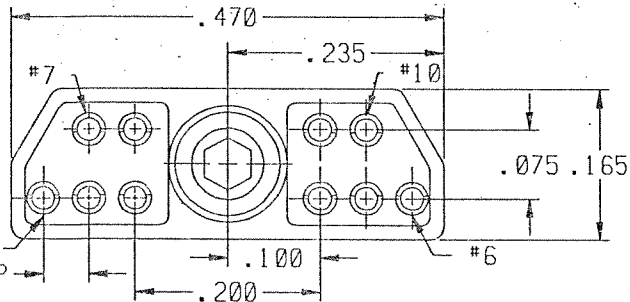
.050 MAX EPOXY  
WICKING ON SOLDER POTS

SOLDER POT  
BRASS, GOLD PLTD  
SHROUD

.135 MAX

6  
Ø12 MAX

6  
45°



Tyco Dwg 3-1532150-3  
Micro P/N 095-0573-0964

NOTES: UNLESS OTHERWISE SPECIFIED

- ▲ MARK PER TIS.
- ▲ EPOXY AS SHOWN USE 194-8102-6215/6225.
- 3. CRIMP SOLDER POTS INTO CONTACTS PER MEP 302-05.
- 4. NO SCRATCHES SHOWING BASE METAL PERMITTED ON SOLDER POTS.
- 5. ORIENT SOLDER POT OPENNINGS PARALLEL TO SIDES OF INSULATOR WITHIN 20°.
- ▲ ROLL SHROUD OVER AS SHOWN. SCREW MUST ROTATE FREELY.

UNLESS OTHERWISE SPECIFIED DIMENSIONS ARE IN INCHES. TOLERANCE ARE:		APPROVALS		MATERIAL:	CHECKED	PROJ. ENG.	APPROVED	FINISH:	THIS DOCUMENT IS THE PROPERTY OF MALCO, A MICRODOT CO. USE OF THIS DOCUMENT OR ANY PART OF THEREOF IS STRICTLY FORBIDDEN WITHOUT THE EXPRESS WRITTEN PERMISSION OF MALCO, A MICRODOT COMPANY.	MALCO A MICRODOT COMPANY, INC. 306 PASADENA AVE., SO. PASADENA, CA 91030	JACKMATE CONNECTOR MCJ BX-10PS  (FULL COMPLEMENT OF CONTACTS)	PROD CODE 834 CODE CDM
FRACTIONS ± 1/3	DECIMALS ± .001, ± .002, ± .005	ANGLES ± 2°	SIGNATURE									
			<i>[Signature]</i>	7/7/88								
SIZE CODE IDENT NO. DRAWING NO.										A 98278 095-0573-0964		
SCALE: NONE										SHEET 1 OF 1		

单击下面可查看定价，库存，交付和生命周期等信息

[>>TE Connectivity\(泰科\)](#)