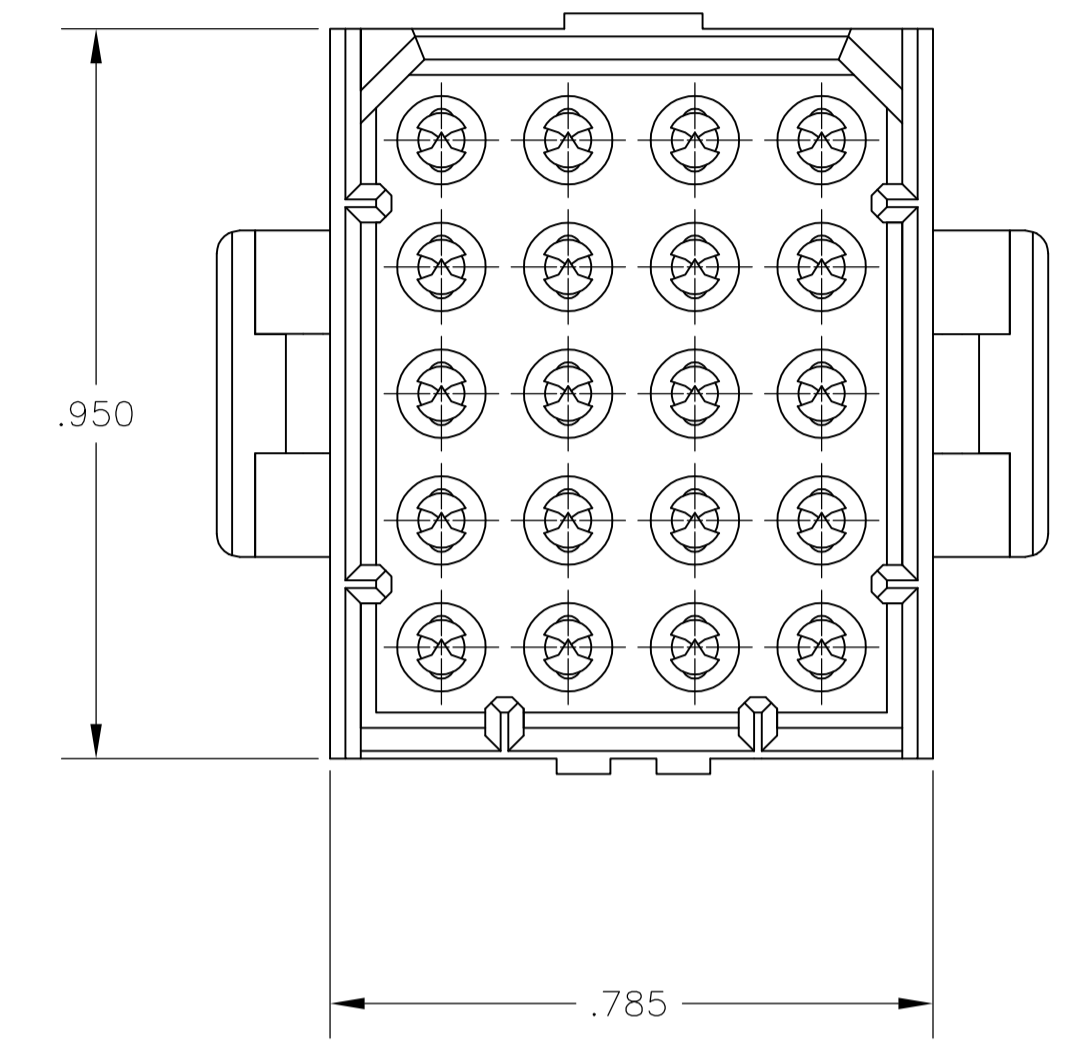
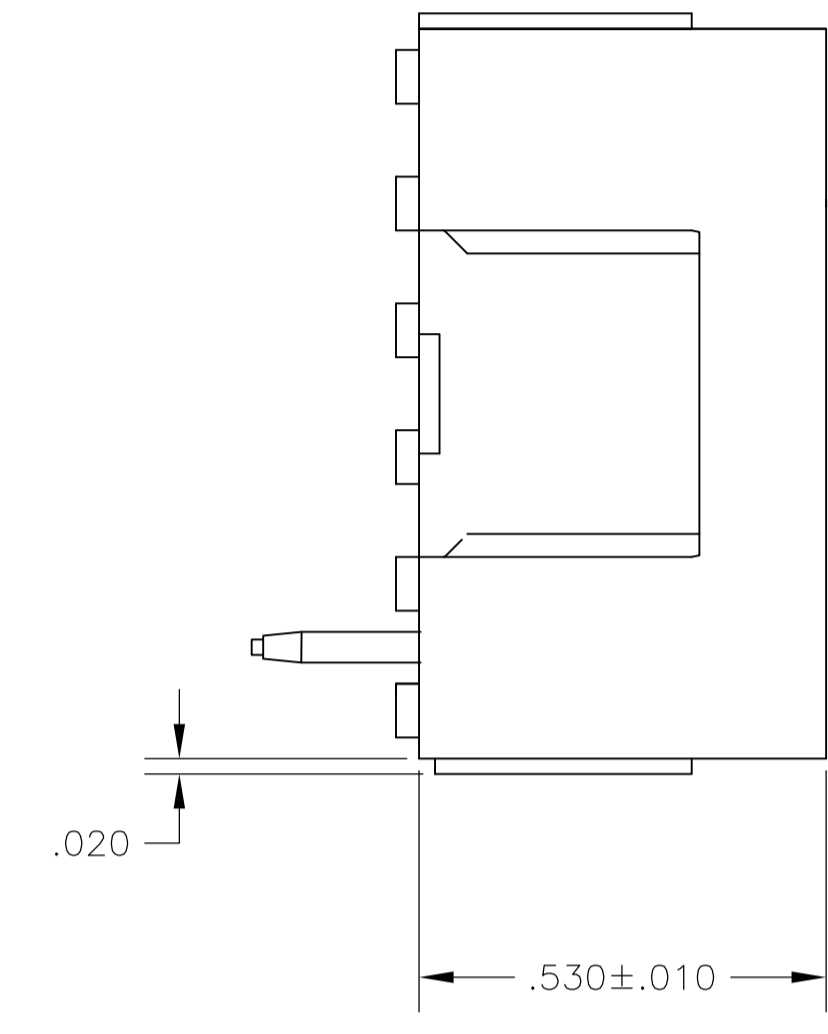
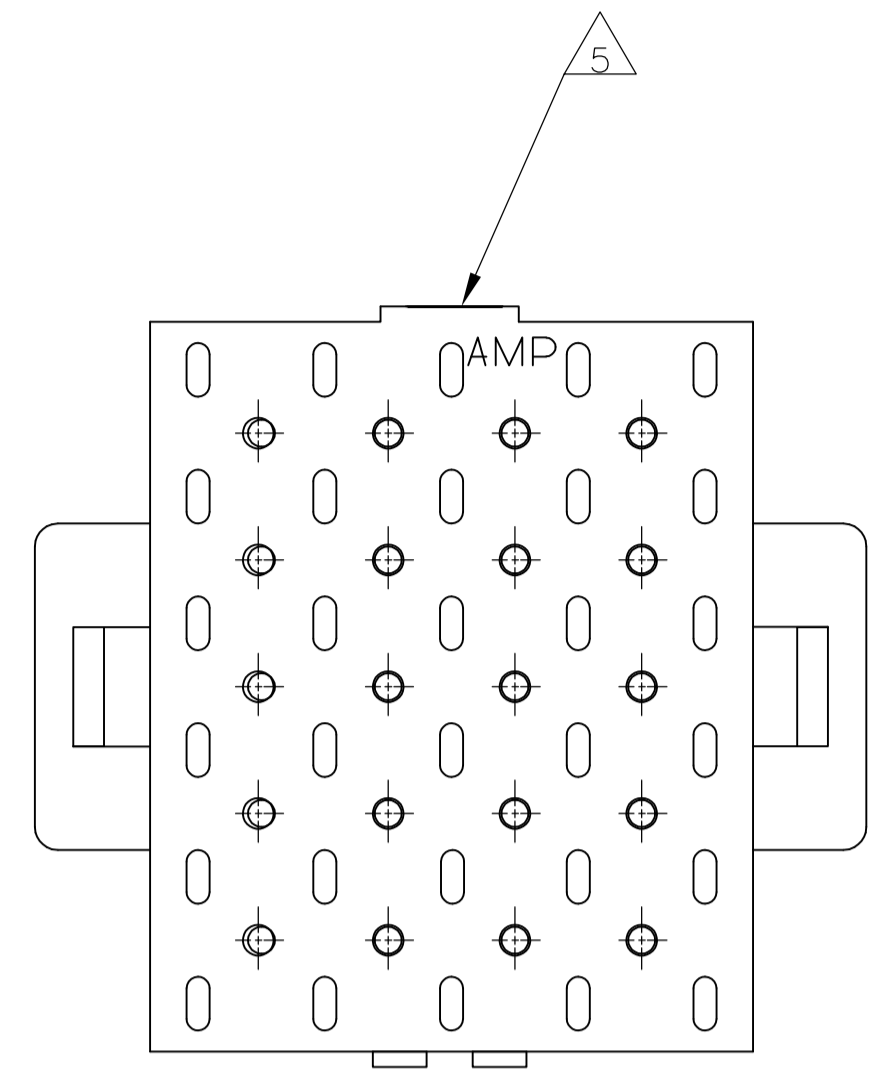
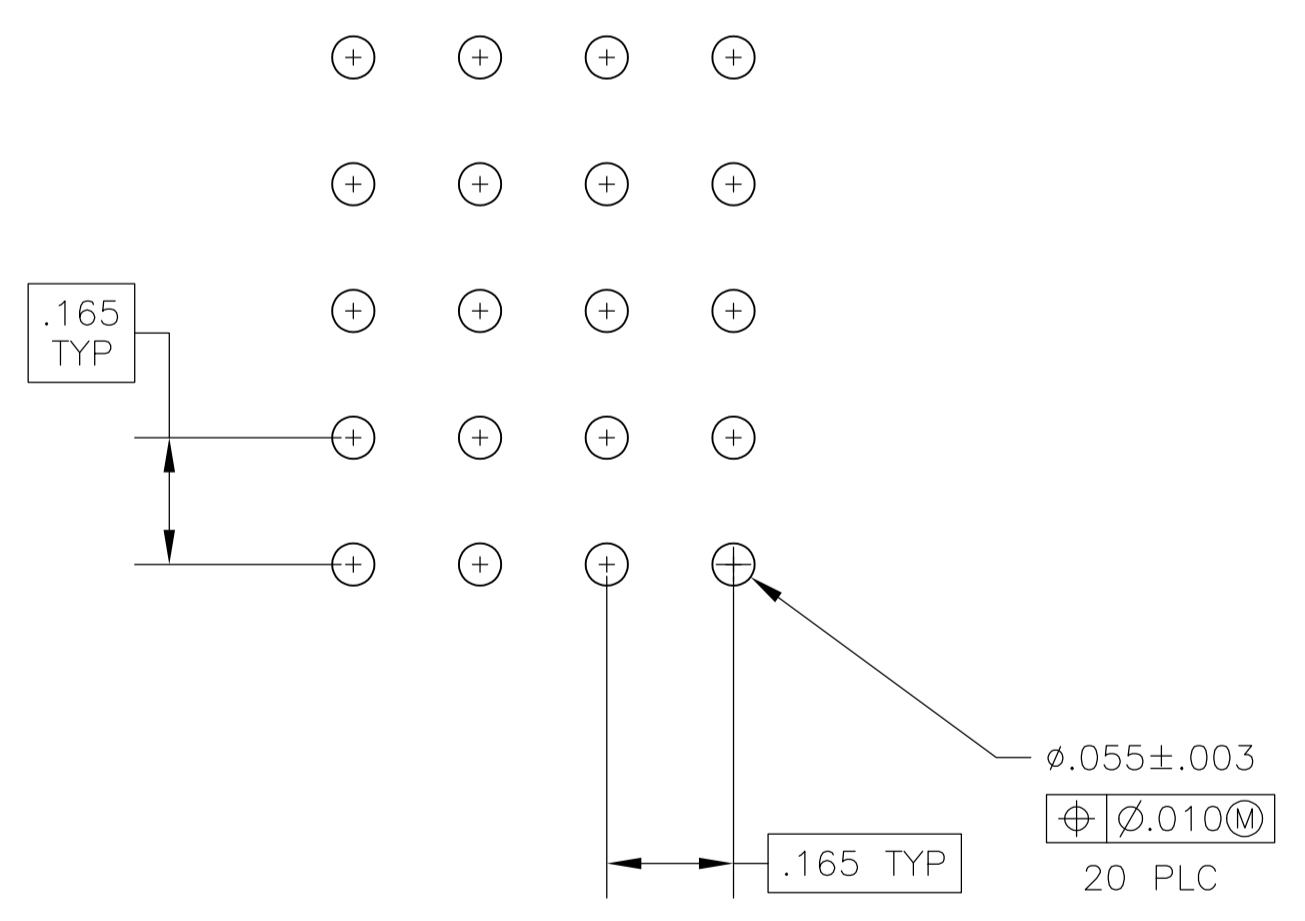


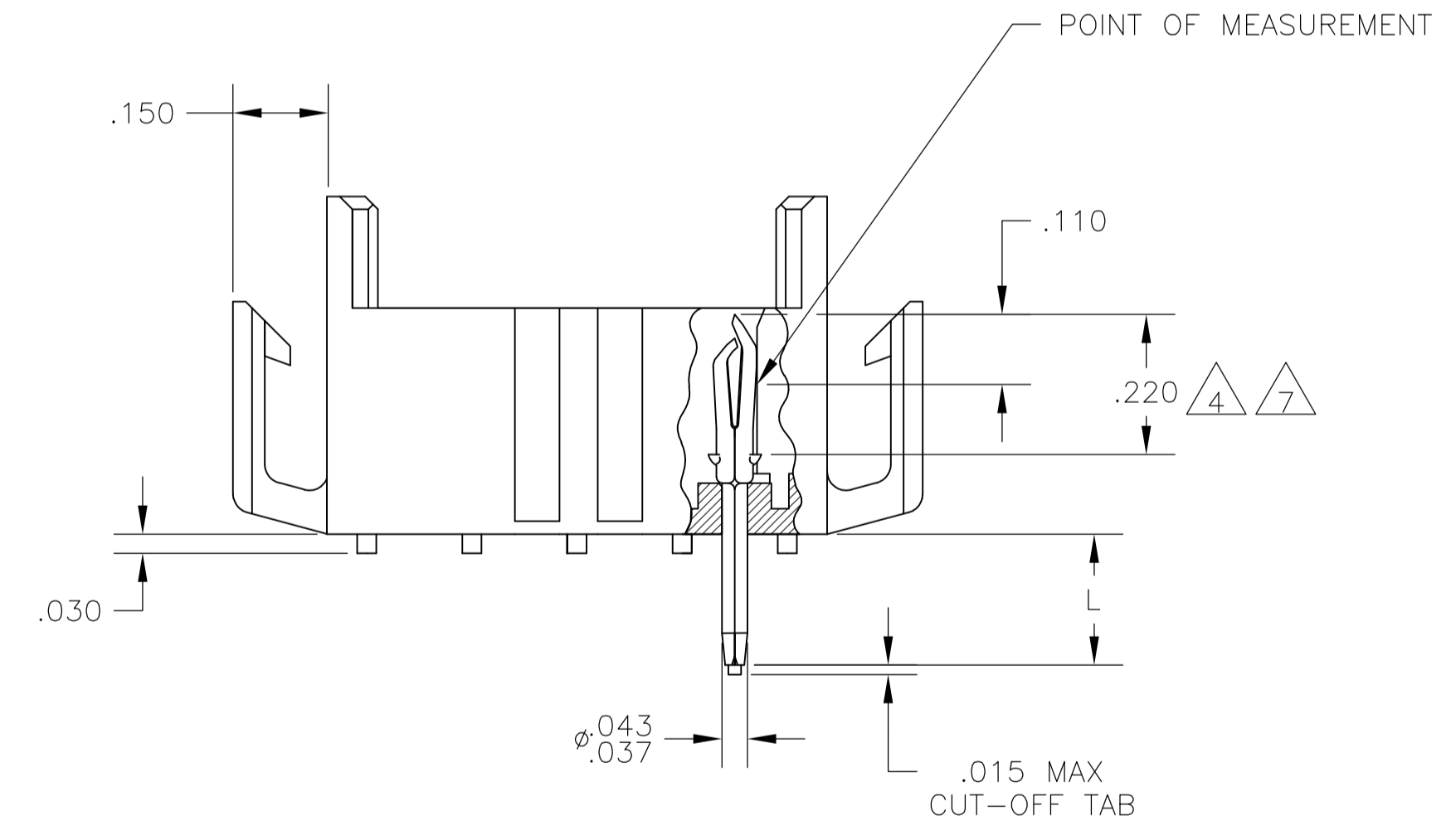
| REVISIONS | | | | | |
|-----------|-----|---------------------------|-----------|-----|------|
| P | LTR | DESCRIPTION | DATE | DMN | APVD |
| R1 | | REVISED PER ECO-16-001847 | 19JUL2016 | NK | MZ |



- 1 FITS SOCKET HOUSING 640524.
- 2 ASSEMBLY CONFORMS TO AMP SOLDERABILITY SPEC. 109-11-3.
- 3 FOR USE WITH .063 THICK P.C. BOARD.
- 4 CONTACT IS PLATED OVERALL WITH .000050 NICKEL, THEN .000030 GLD OVER CONTACT LENGTH INDICATED AND .000150 MATTE TIN-LEAD ON SOLDER TAIL END.
- 5 UL AND CSA LOGO LOCATED ON THIS SURFACE.
- 6 FOR USE WITH .120 THICK P.C. BOARD.
- 7 CONTACT IS PLATED OVERALL WITH .000050 NICKEL, THEN .000030 GLD OVER CONTACT LENGTH INDICATED AND .000150 MATTE TIN ON SOLDER TAIL END.



RECOMMENDED P.C. BOARD LAYOUT



| | .010 | 0.25 | .055 | 1.40 | .220 | 5.59 | - | - |
|---------|---------|------|------|------|------|------|-------|---|
| .008 | 0.20 | .043 | 1.09 | .210 | 5.33 | - | - | - |
| .005 | 0.13 | .037 | 0.94 | .165 | 4.19 | - | - | - |
| .003 | 0.08 | .030 | 0.76 | .150 | 3.81 | .950 | 24.13 | - |
| .000050 | 0.00127 | .020 | 0.51 | .110 | 2.79 | .785 | 19.94 | - |
| .000030 | 0.00076 | .015 | 0.38 | .063 | 1.60 | .530 | 13.46 | - |
| IN | MM | IN | MM | IN | MM | IN | MM | |

CONVERSION TABLE

| | | | | | | |
|----------|----------------|---------------|------------|---------|-------------|----------|
| .210 | 6 | BRICK RED | GOLD | 7 | 2-640504-4 | |
| .150 | 3 | BRICK RED | GOLD | 7 | 2-640504-2 | |
| .210 | 6 | BRICK RED | GOLD | 4 | 640504-4 | |
| .210 | 6 | BRICK RED | PRE-TIN | | 640504-3 | |
| OBSOLETE | .150 | 3 | BRICK RED | GOLD | 4 | 640504-2 |
| | .150 | 3 | BRICK RED | PRE-TIN | 640504-1 | |
| "L" | +0.10 -0.20 | HOUSING COLOR | PIN FINISH | | PART NUMBER | |

THIS DRAWING IS A CONTROLLED DOCUMENT.

| | | | |
|---|--|-------------------------|--------------------------------|
| DIMENSIONS: INCHES | TOLERANCES UNLESS OTHERWISE SPECIFIED: | DIN J. HUFFMAN 28APR98 | TE Connectivity |
| | | CHK R. SWING 28APR98 | |
| | | APVD T. REDDICK 28APR98 | NAME |
| | | | PRODUCT SPEC |
| | | | APPLICATION SPEC |
| | | | WEIGHT |
| MATERIAL: HOUSING-FLAME RETARDANT NYLON, UL 94V-0 PIN, .008 PH BRZ. | FINISH: SEE TABLE | SIZE: A1 | RESTRICTED TO |
| | | CAGE CODE: 00779 | DRAWING NO: 640504 |
| | | CUSTOMER DRAWING | SCALE: 4:1 SHEET 1 OF 1 REV R1 |

单击下面可查看定价，库存，交付和生命周期等信息

[>>TE Connectivity\(泰科\)](#)