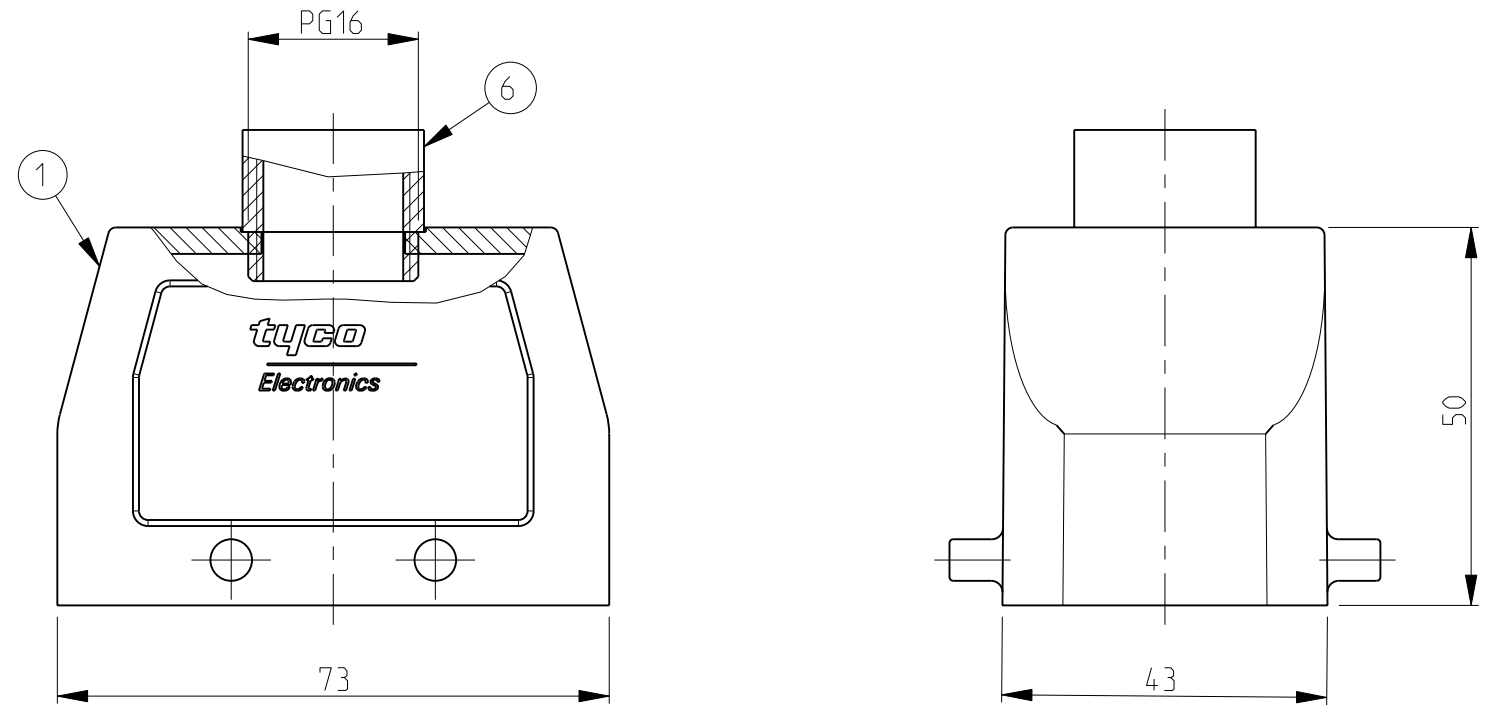


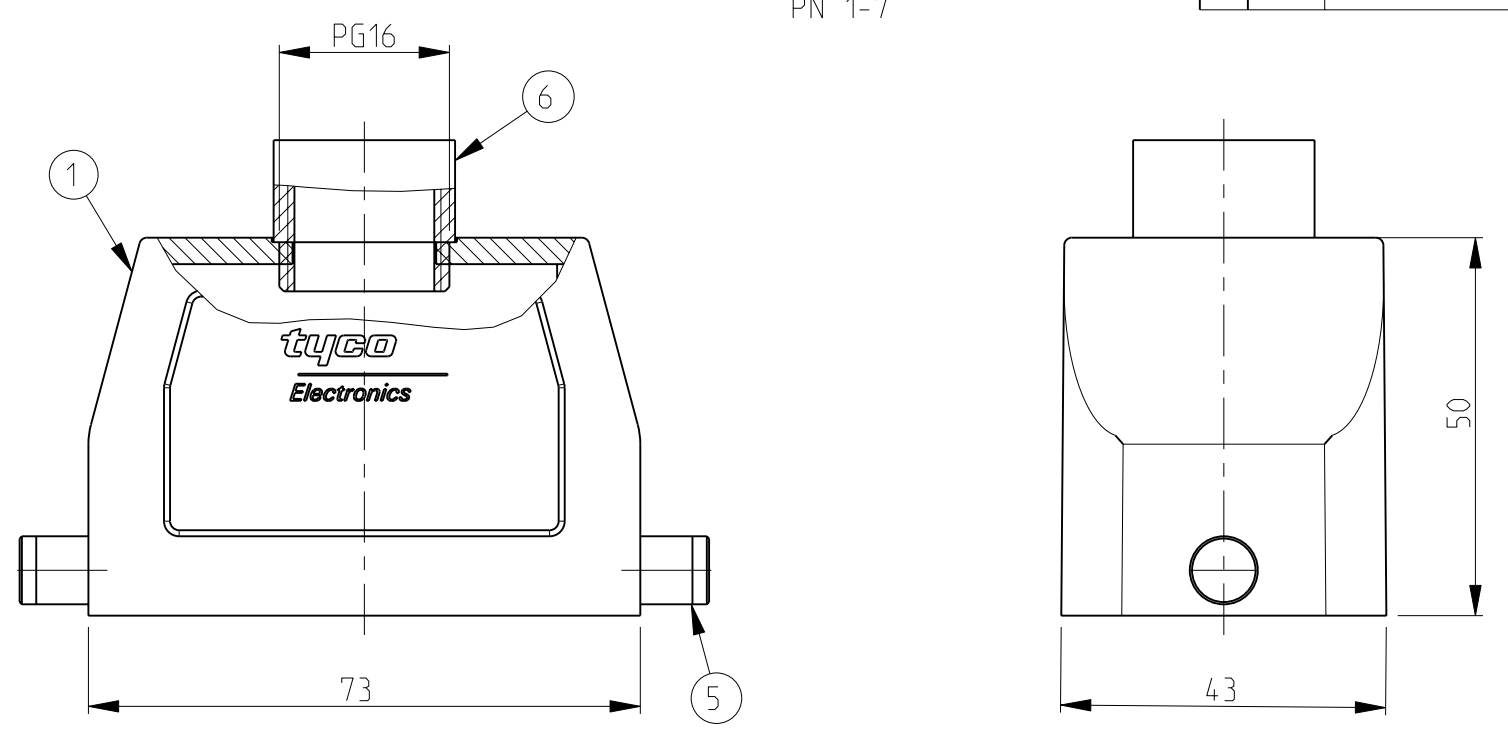
THIS DRAWING IS UNPUBLISHED. RELEASED FOR PUBLICATION .1997
 © COPYRIGHT 1997 BY TYCO ELECTRONICS CORPORATION. ALL RIGHTS RESERVED.

LOC		DIST		REVISIONS			
P	LTR	DESCRIPTION	DATE	DWN	APVD		
A1	-						
A2		Released as per ECR-07-030422	17.12.07	SP	TS		

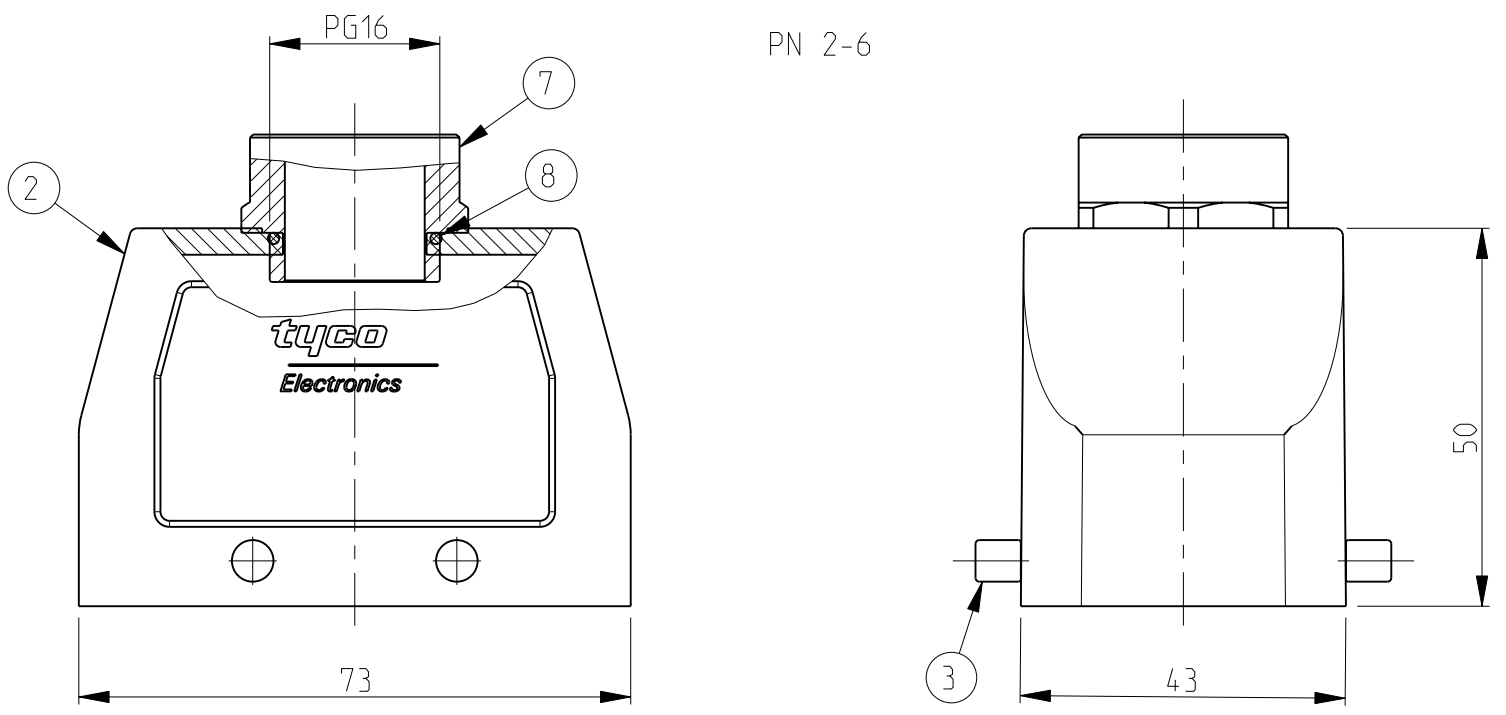
PN 1-6



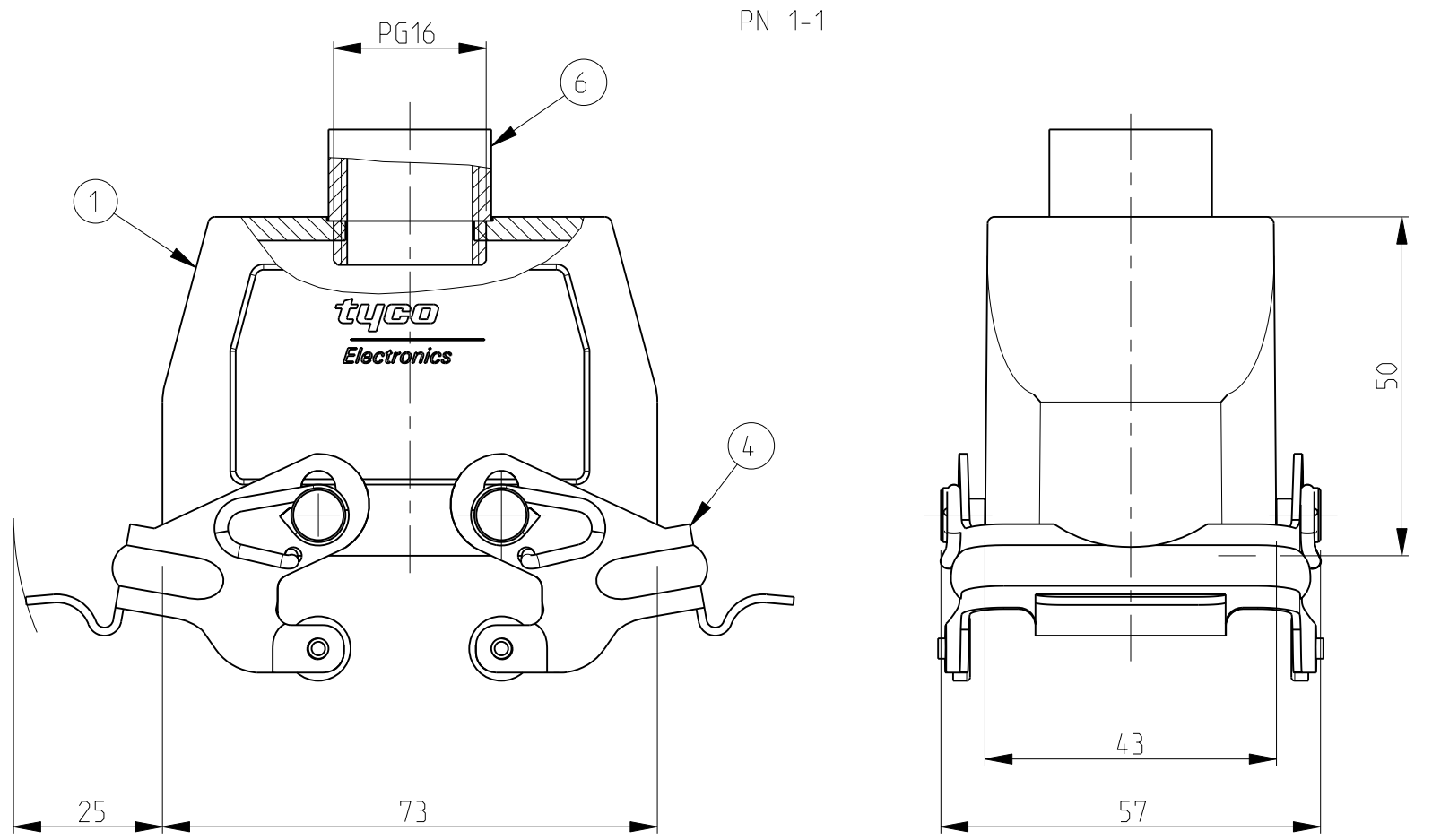
PN 1-7



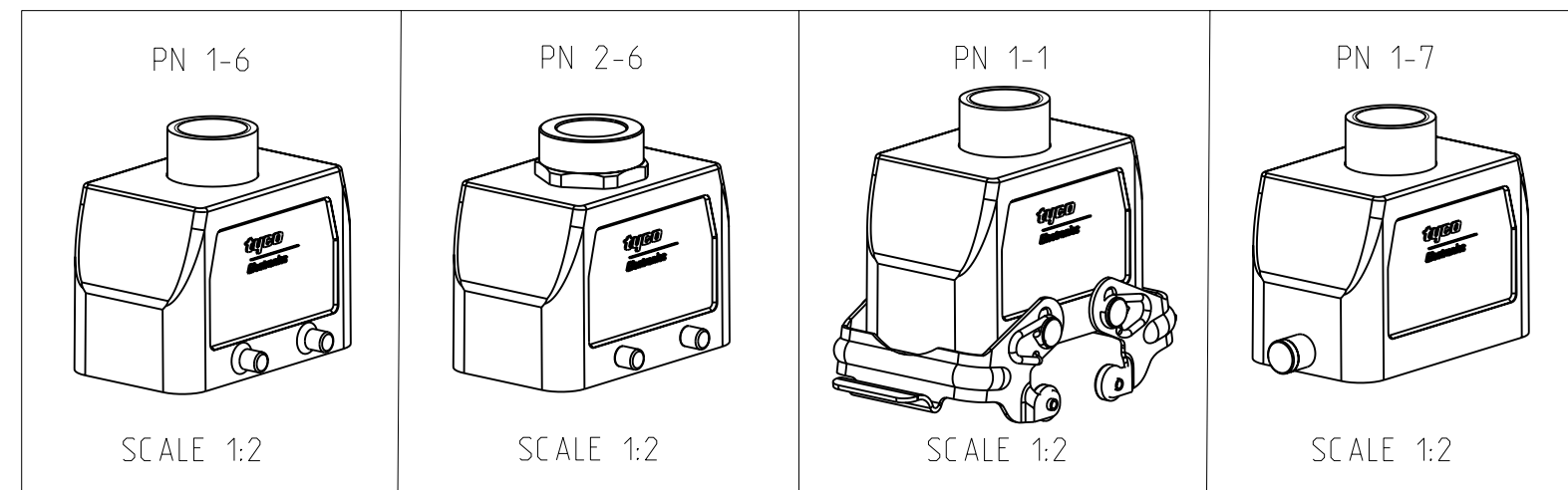
PN 2-6



PN 1-1



- NOTES.
- 1 Material:Housing:Aluminium Diecasting Alloy
 - 2 Surface-Powder Varnish Grey -Aluminium Oxide + Varnish Black
 - 3 Varnish on the inside not necessary
 - 4 Packaging Quantity 5 Pieces in a box



QTY	DESCRIPTION	MATERIAL	SURFACE	COLOR	ITEM NO	NOTES
1	O-Ring PG16	Neoprene	-	Black	8	
1	6-Kt-Adaptor PG16	Brass	Nickel plated	Blue	7	
1	Adaptor round PG16	Brass	Nickel plated	Blue	6	
2	LB-Slide spool	Steel	Zinc plated	-	5	
2	VS-Side clip	Steel	Zinc plated	Blue	4	
4	VS-Clip bolt	Stainless steel	Blank	-	3	
1	Hood HB.10	Aluminium	Aluminium oxide	Black	2	
1	Hood HB.10	Aluminium	-	Grey	1	

ORDERING TEXT
 HB.10.STO.1.16.Z
 HB-K.10.STO.1.16.Z
 HB.10.STO-VS.1.16.Z
 HB.10.STO-GR.1.16.Z

THIS DRAWING IS A CONTROLLED DOCUMENT FOR TYCO ELECTRONICS CORPORATION IT IS SUBJECT TO CHANGE AND THE CONTROLLING ENGINEERING ORGANIZATION SHOULD BE CONTACTED FOR THE LATEST REVISION.

DWN Schneider 05.06.02
 CHK Schneider 05.06.02
 APVD -
 PRODUCT SPEC -
 APPLICATION SPEC -
 WEIGHT -
 CUSTOMER DRAWING

TOLERANCES UNLESS OTHERWISE SPECIFIED:
 0 PLC ±
 1 PLC ±
 2 PLC ±
 3 PLC ±
 4 PLC ±
 ANGLES ±

NAME: Hood HB.10.STO.1.16.Z
 SIZE: A2 CAGE CODE: 00779 DRAWING NO: 1102266 RESTRICTED TO: -
 SCALE: 1:1 SHEET 1 OF 1 REV: A2

Tyco Electronics AMP.GmbH
 D-53819,Neunkirchen,Germany

单击下面可查看定价，库存，交付和生命周期等信息

[>>TE Connectivity\(泰科\)](#)