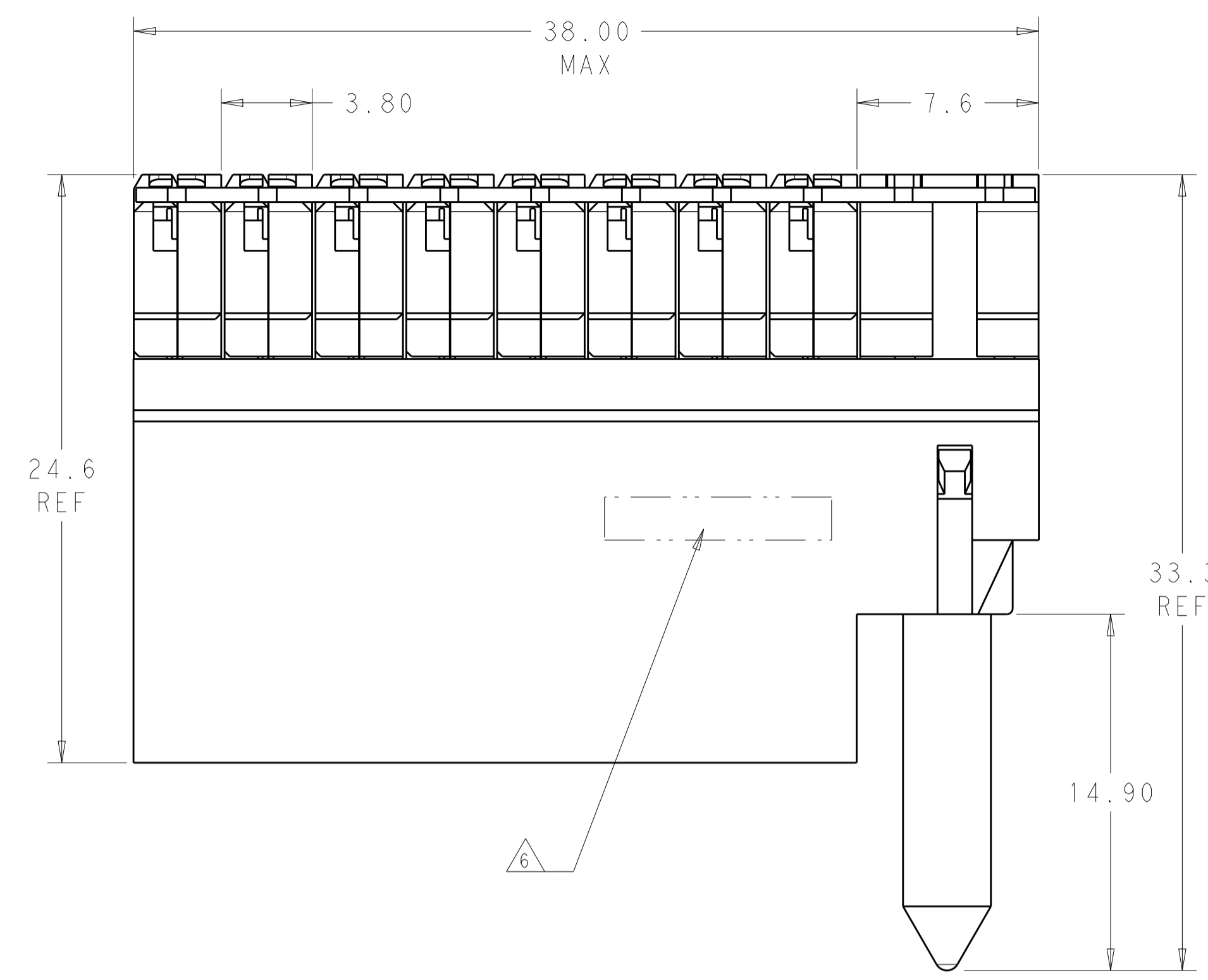
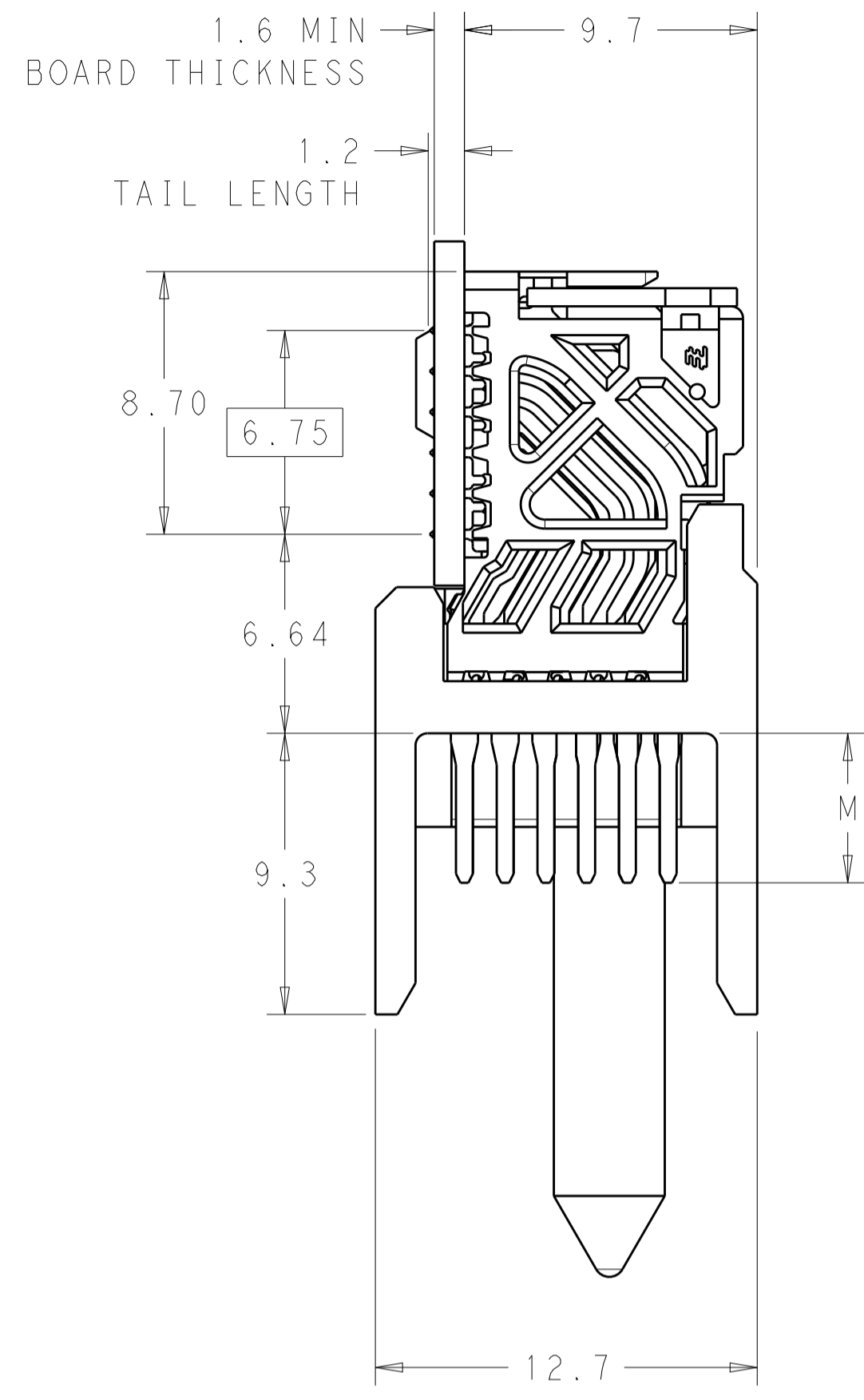
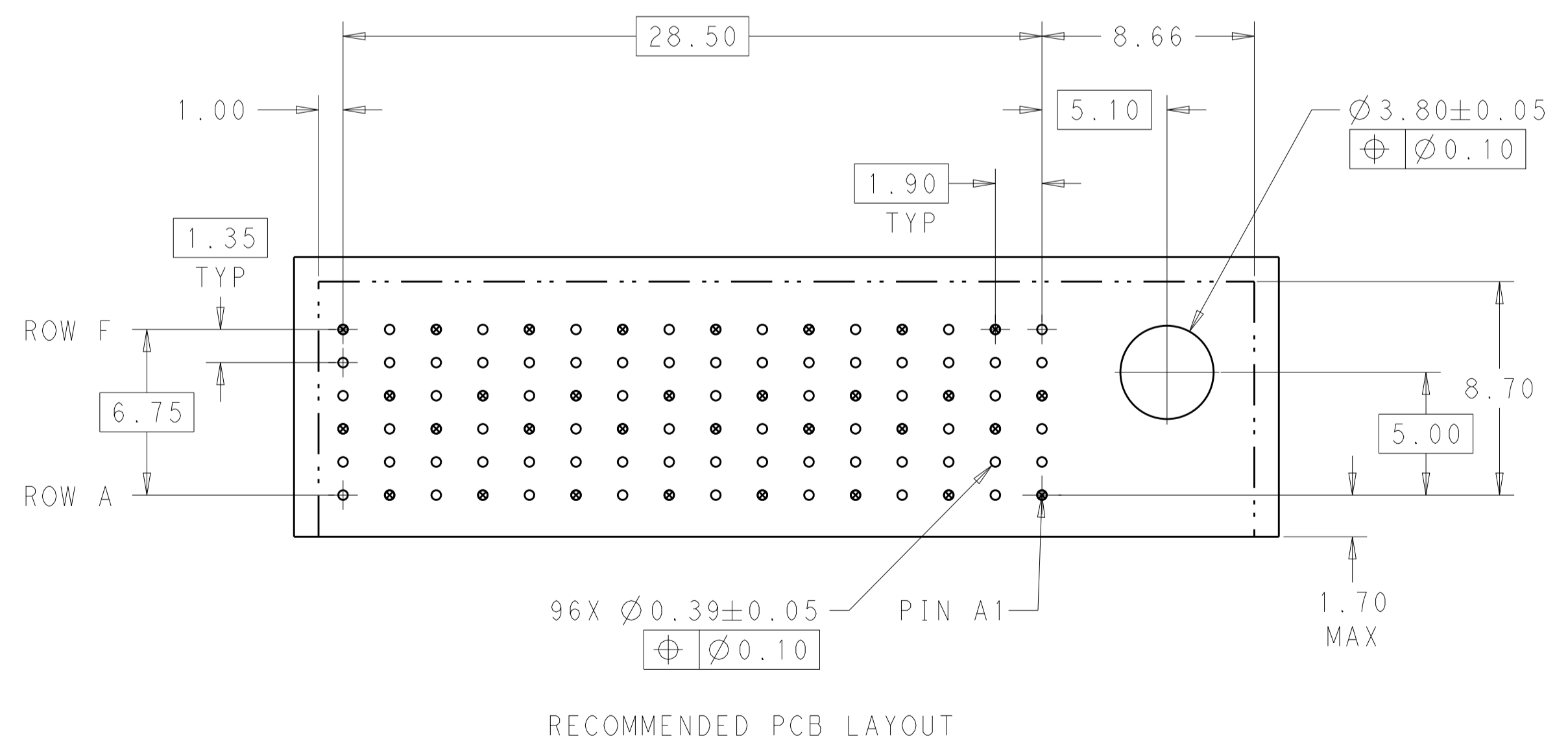
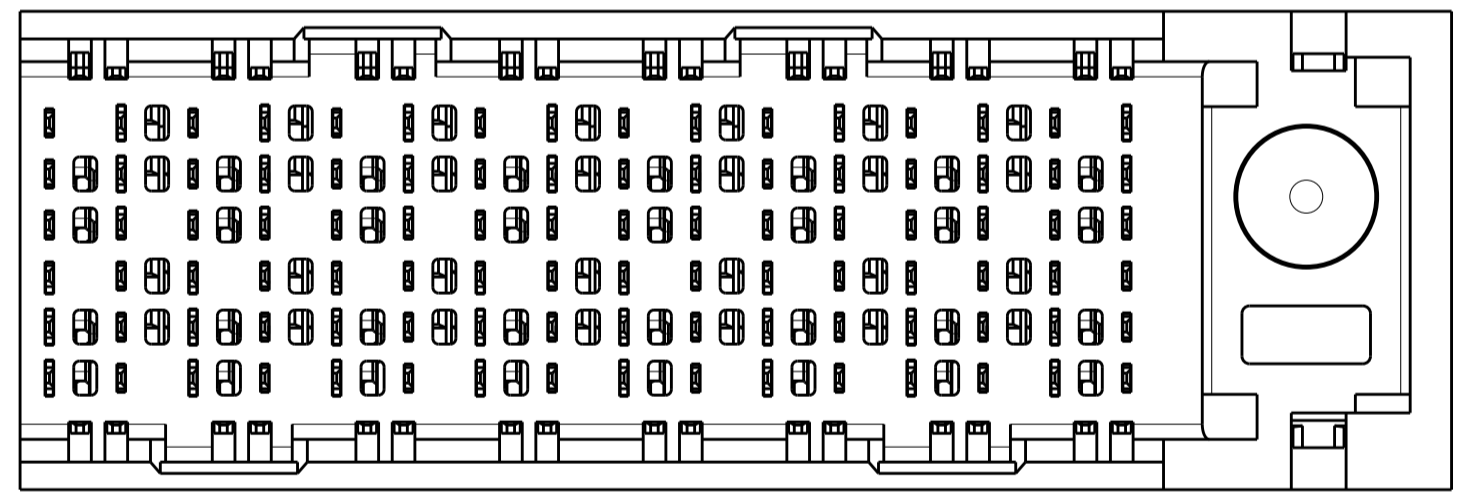
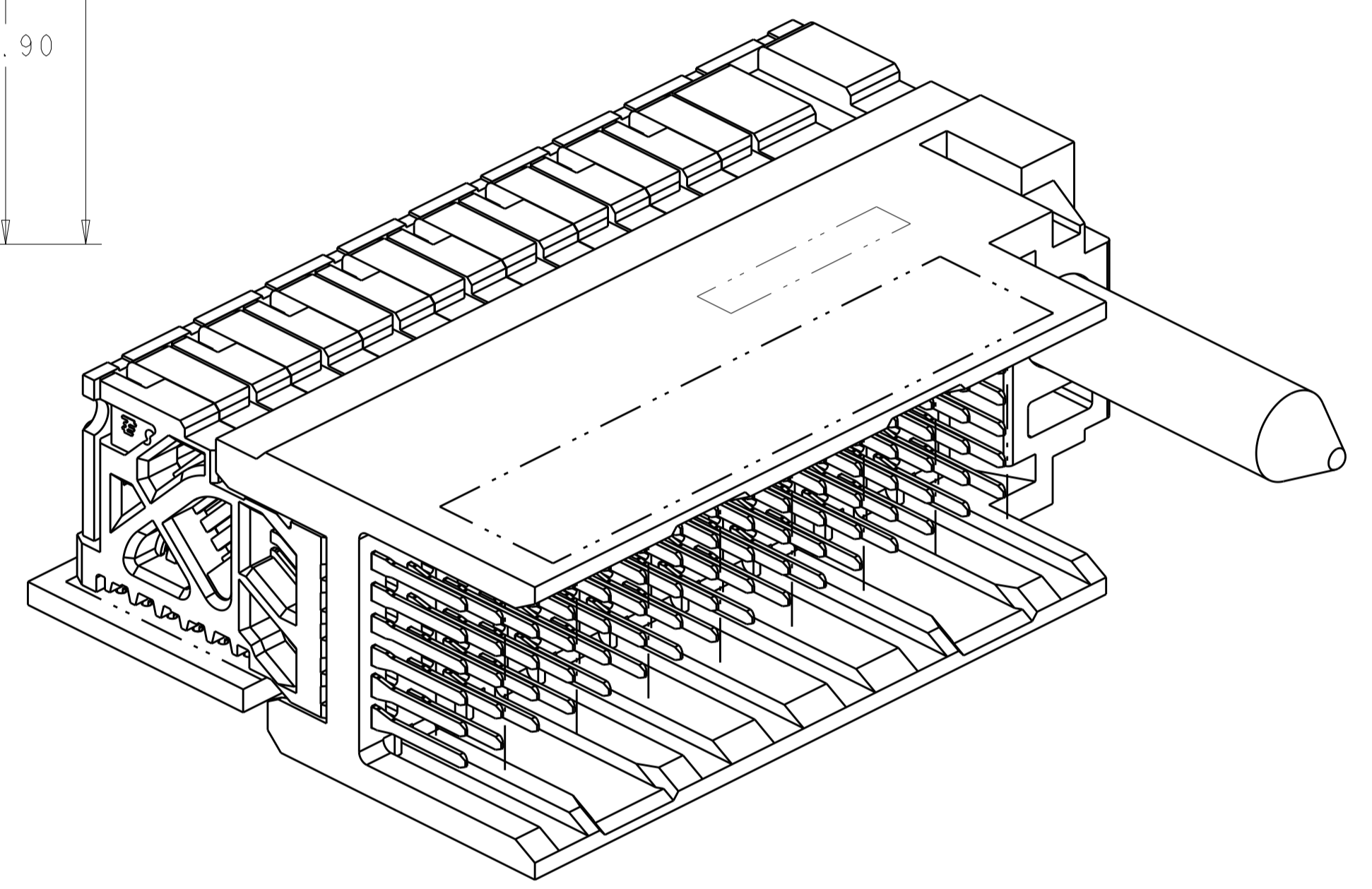


LOC		DIST		REVISIONS			
AD	00	P	LTN	DESCRIPTION	DATE	DWN	APVD
		C		REVISED PER ECO-14-005775	22APR2014	AP	DD

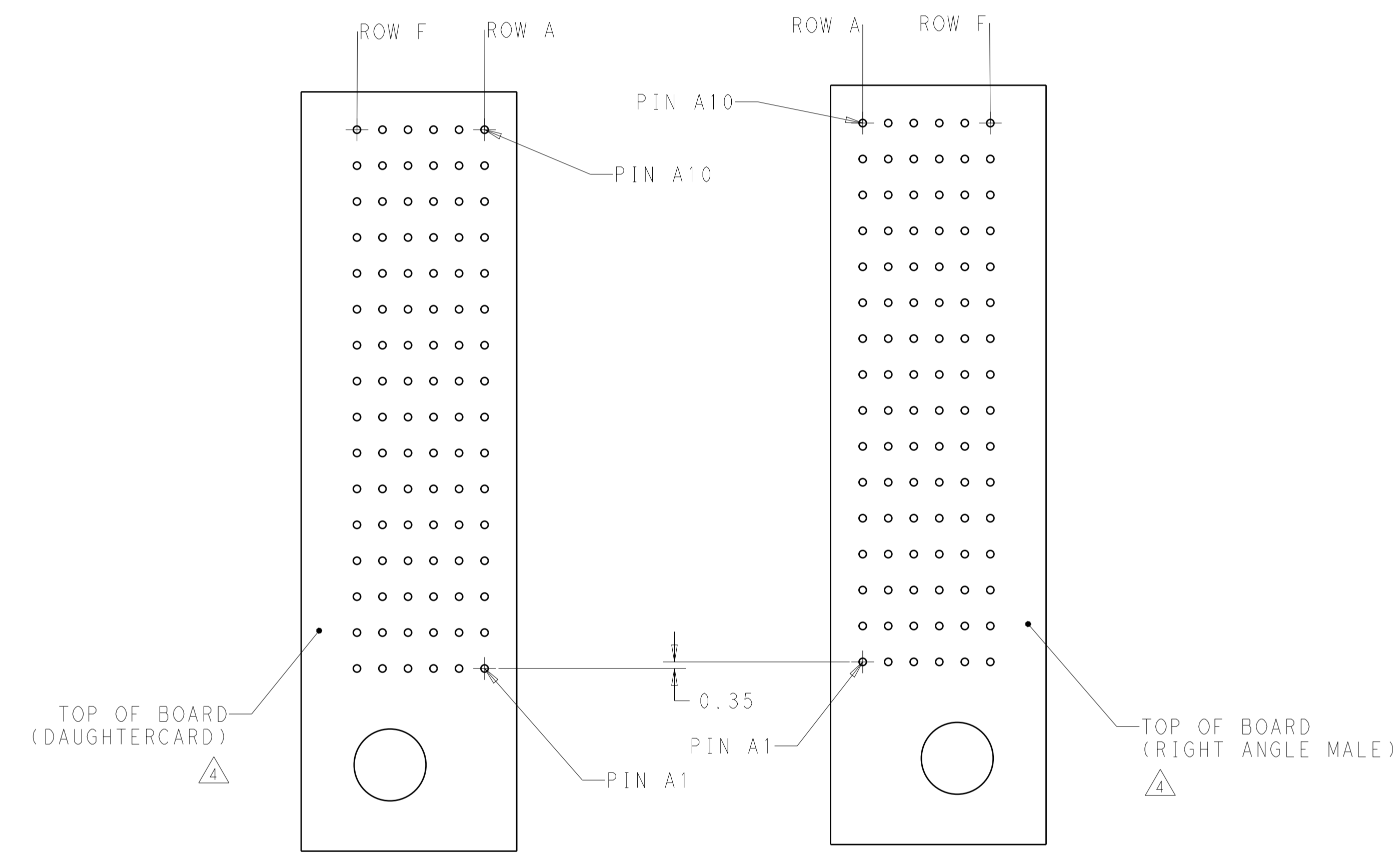


- 1 MATERIAL:
HOUSING: LCP, GLASS FILLED, UL94V-0.
TERMINALS: HIGH PERFORMANCE COPPER ALLOY.
- 2 FINISH:
30µm SELECTIVE GOLD IN CONTACT AREA. SELECTIVE TIN ON PCB TAILS, NICKEL OVERALL.
- 3 FINISH:
30µm SELECTIVE GOLD IN CONTACT AREA. SELECTIVE TIN-LEAD ON PCB TAILS, NICKEL OVERALL.
- 4 RIGHT GUIDED RIGHT ANGLE MALE MATES TO LEFT GUIDED RIGHT ANGLE RECEPTACLE.
- 5. CONNECTOR SUPPLIED WITH MOUNTING SCREW.
- 6 TE LOGO LOCATED IN APPROXIMATE LOCATION.

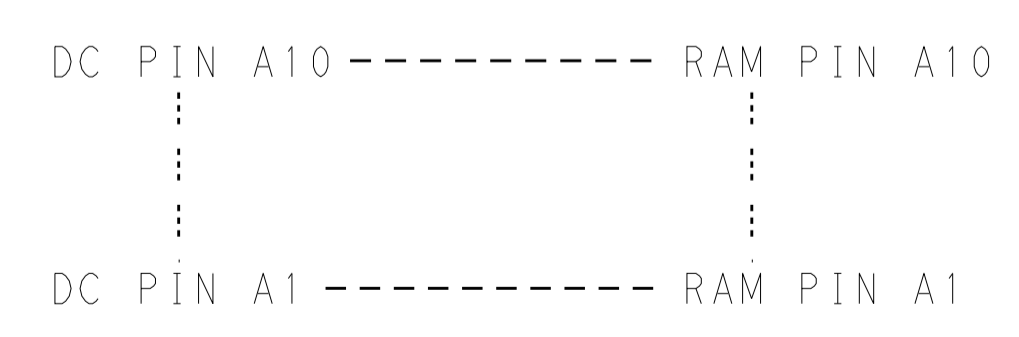


THIS DRAWING IS A CONTROLLED DOCUMENT.		DWN	07APR2011	STE TE Connectivity
DIMENSIONS:		CHK	07APR2011	
mm	TOLERANCES UNLESS OTHERWISE SPECIFIED:	APVD	07APR2011	NAME IMPACT, STD. RAM, 2 PAIR, 16 COLUMN, RIGHT GUIDED OPEN END WALL SIGNAL MODULE, 0.39 EYELET
Ø	0 PLC ±	PRODUCT SPEC		
	1 PLC ±0.25	APPLICATION SPEC		SIZE CAGE CODE DRAWING NO
	2 PLC ±0.13			A100779C=2143315
	3 PLC ±			RESTRICTED TO
	4 PLC ±			
	ANGLES ±	WEIGHT		
MATERIAL	FINISH SEE TABLE	CUSTOMER DRAWING		SCALE 5:1 SHEET 1 OF 2 REV C

LOC		DIST		REVISIONS			
AD	00	P	LTN	DESCRIPTION	DATE	DWN	APVD
		-		SEE SHEET 1	-	-	-



COPLANAR MATED SIGNAL PATHS



	5.50	2143315-6
	4.90	2143315-5
	5.50	2143315-3
	4.90	2143315-2
FINISH	DIM M	PART NUMBER

REFER TO WWW.TE.COM FOR PRODUCT AVAILABILITY

THIS DRAWING IS A CONTROLLED DOCUMENT.		DWN	07APR2011	STE TE Connectivity
DIMENSIONS:		CHK	J. EARY 07APR2011	
TOLERANCES UNLESS OTHERWISE SPECIFIED:		APVD	J. EARY 07APR2011	
mm		NAME		
0 PLC ± 1 PLC ±0.25 2 PLC ±0.13 3 PLC ± 4 PLC ± ANGLES ±		PRODUCT SPEC		
MATERIAL		APPLICATION SPEC		
FINISH		SIZE		
SEE TABLE		CAGE CODE		
CUSTOMER DRAWING		DRAWING NO		
		RESTRICTED TO		
		A100779C=2143315		
		SCALE 5:1 SHEET 2 OF 2 REV C		

单击下面可查看定价，库存，交付和生命周期等信息

[>>TE Connectivity\(泰科\)](#)