

Thermofit[®] Molded Parts
 Specification Control Drawing
 Limited Distribution

Part Number : 227W256-X-A03
 Description : 90° Feedthrough

NOTES

- All dimensions are in $\frac{\text{inches}}{\text{[millimeters]}}$
- Dimensions appearing in table are as follows:
 a - As Supplied
 b - After Unrestricted Recovery
- 90° configuration may vary upon recovery but will conform if cable is held to required angle when recovering.

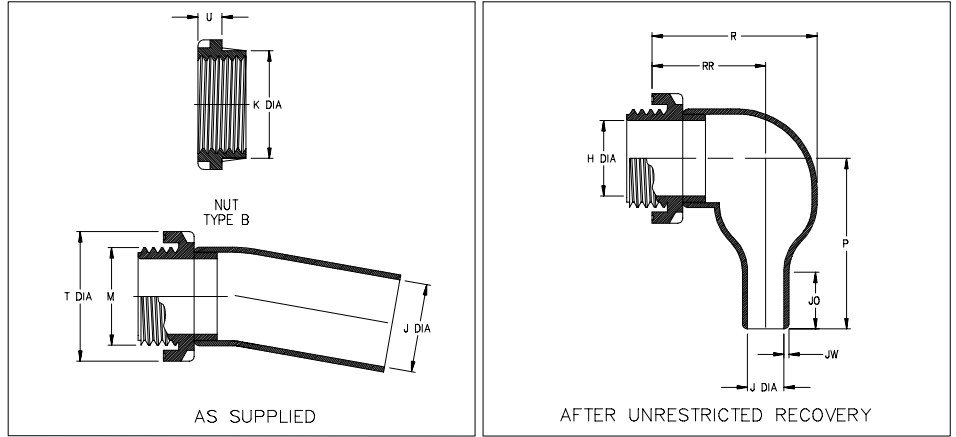


TABLE OF DIMENSIONS

PART NUMBER	H	J		JO	K	M	P	R	RR	T	U	JW
	Ref b	Min a	Max b	±10% b	Ref a	Thread a	Ref b	Ref b	Ref b	Ref a	±10% a	±20% b
227W256-X-A03	<u>2.68</u> [68,1]	<u>2.91</u> [73,9]	<u>.80</u> [20,3]	<u>1.60</u> [40,6]	<u>3.31</u> [84,1]	<u>3.15</u> [80,0]	<u>3.38</u> [85,8]	<u>3.38</u> [85,8]	<u>1.93</u> [49,0]	<u>3.82</u> [98,0]	<u>.39</u> [9,9]	<u>.15</u> [3,8]

Raychem

RAYCHEM CORPORATION
 300 CONSTITUTION DRIVE
 MENLO PARK, CALIFORNIA 94025

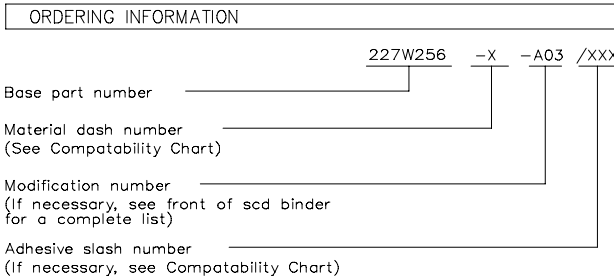
Revision : C
 Date : 3/16/95

Part Number : 227W256-X-A03
 Description : 90° Feedthrough

Thermofit[®] Molded Parts
 Specification Control Drawing
 Limited Distribution

Part Number : 227W256-X-A03
 Description : 90° Feedthrough

MATERIAL DASH NO.	MATERIAL DESCRIPTION	RT SPEC	COATING SLASH NO.	COATING S NO.	COATING DESCRIPTION
-3	Polyolefin, Semi-rigid	RT-301			



THIS DRAWING IS SUBJECT TO CHANGE WITHOUT NOTICE; CONSULT YOUR
 NEAREST FIELD REPRESENTATIVE FOR CURRENT REVISION

If this document is printed it becomes uncontrolled.
 Check for the latest revision.

Raychem

RAYCHEM CORPORATION
 300 CONSTITUTION DRIVE
 MENLO PARK, CALIFORNIA 94025

Revision : C
 Date : 3/16/95

Part Number : 227W256-X-A03
 Description : 90° Feedthrough

CAD FILE MP95116

单击下面可查看定价，库存，交付和生命周期等信息

[>>TE Connectivity\(泰科\)](#)