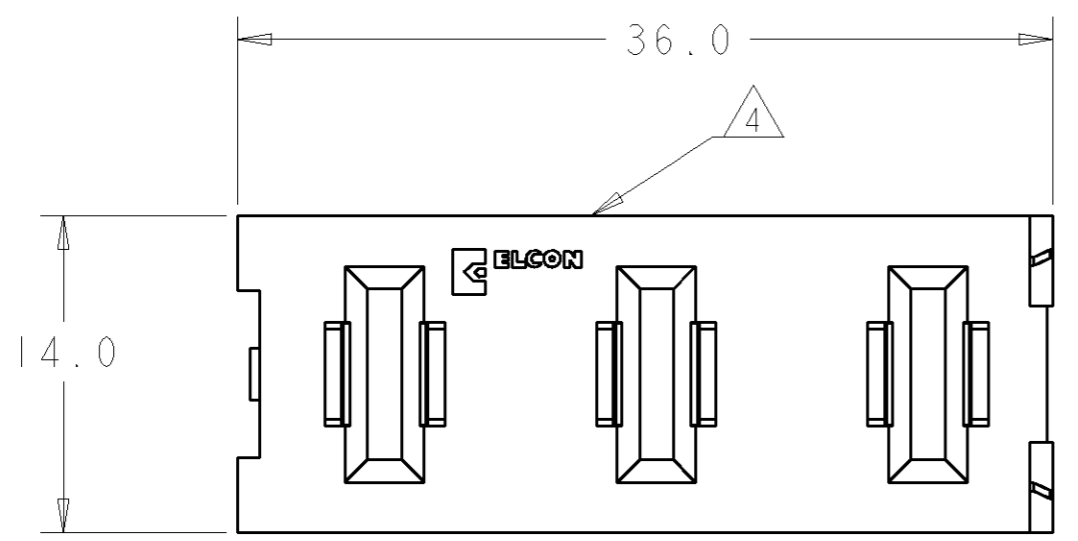


THIS DRAWING IS UNPUBLISHED. RELEASED FOR PUBLICATION 20
 © COPYRIGHT 20 BY TYCO ELECTRONICS CORPORATION. ALL RIGHTS RESERVED.

LOC	DIST	REVISIONS					
GP	00	P	LTR	DESCRIPTION	DATE	DWN	APVD
		A		NEW RELEASE	07AUG2007	RG	PD



1. PART NUMBER CHANGES AND OR DESIGN CHANGES AFFECTING ITEM INTERCHANGEABILITY REQUIRE PRIOR TYCO ELECTRONICS APPROVAL AND AUTHORIZATION BY REVISION TO THIS DRAWING.

2 MATERIAL:
 INSULATORS - THERMOPLASTIC, GLASS REINFORCED, COLOR: BLACK
 UL94V-0 FLAMMABILITY RATED.
 POWER CONTACTS - PHOSPHOR BRONZE,
 COPPER ALLOY
 CROWN BAND - BERYLLIUM COPPER ALLOY
 GUIDE PIN-BRASS ALLOY

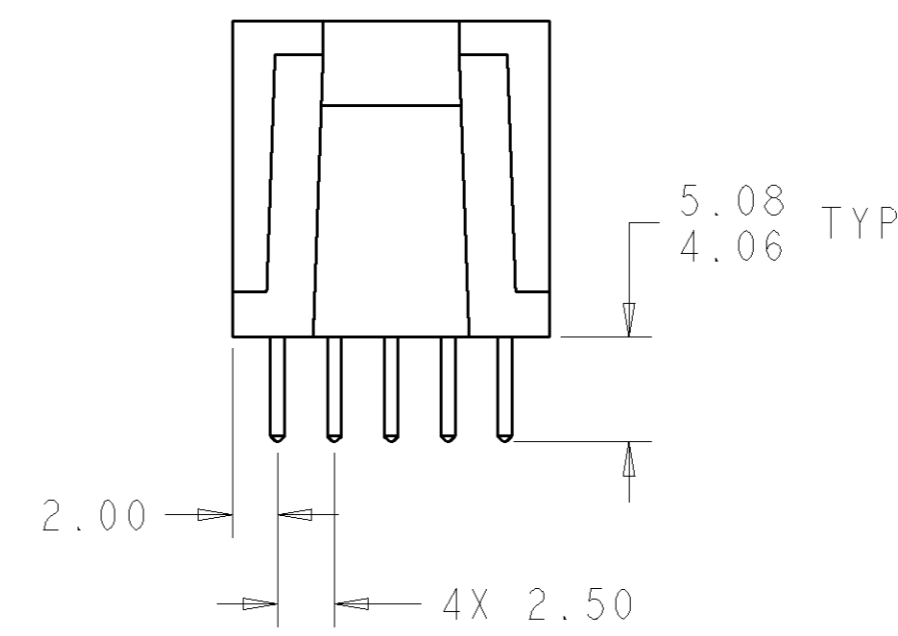
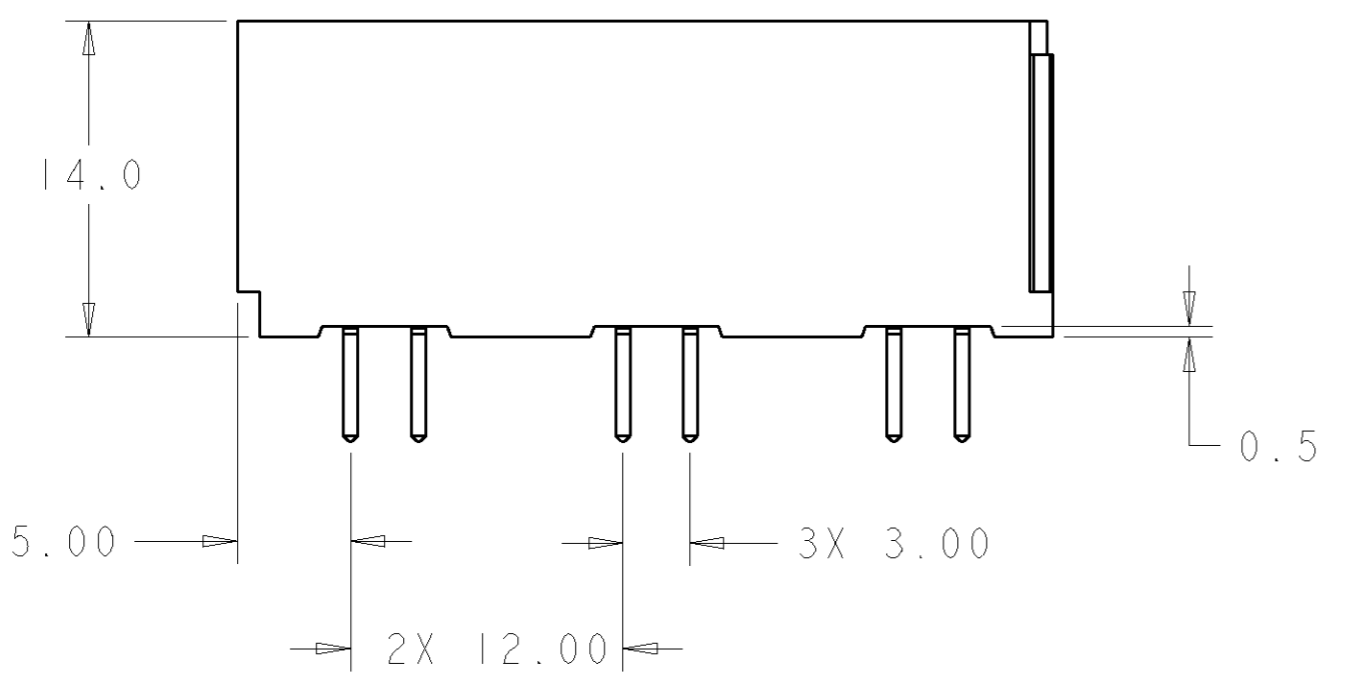
3 FINISH:
 CONTACTS - GOLD PLATE 0.76µm MIN. THK., OVER
 NICKEL 1.27µm MIN. THK
 SOLDER TAILS, TIN 3.05µm MIN. THK.
 OVER NICKEL 1.27µm MIN. THK

4 ITEMS PROVIDED TO THIS SPECIFICATION TO BE PERMANENTLY IDENTIFIED PER THE FOLLOWING IDENTIFIER LABEL

TYCO ELECTRONICS P/N
 XXXXXXXX-X

DATE CODE (e.g. 0106)
 XXXX

YEAR WEEK



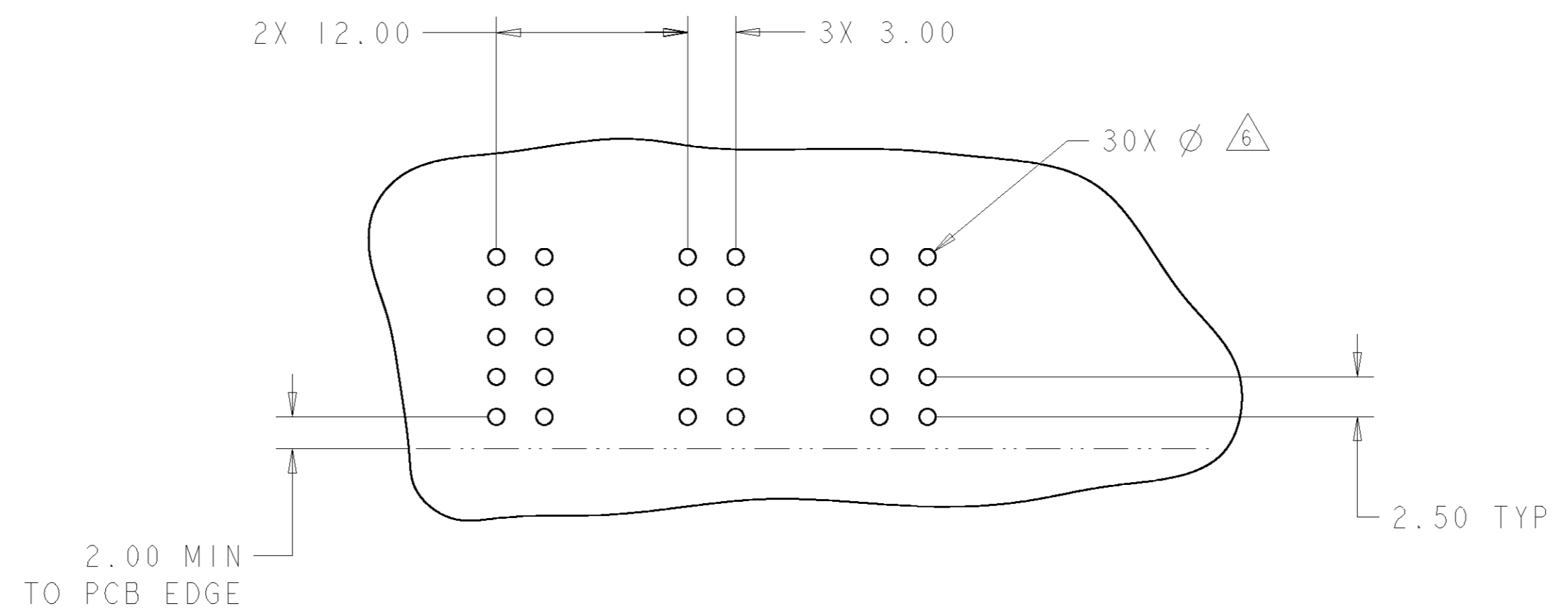
AS SHOWN	6646440-1
DESCRIPTION	PART NUMBER

THIS DRAWING IS A CONTROLLED DOCUMENT FOR TYCO ELECTRONICS CORPORATION. IT IS SUBJECT TO CHANGE AND THE CONTROLLING ENGINEERING ORGANIZATION SHOULD BE CONTACTED FOR THE LATEST REVISION.		DWN R. GRZYBOWSKI 07AUG2007	Tyco Electronics Harrisburg, PA 17105-3608
DIMENSIONS: mm		CHK P. DAMATO 07AUG2007	
TOLERANCES UNLESS OTHERWISE SPECIFIED: 0 PLC ±.5 1 PLC ±.5 2 PLC ±.25 3 PLC ±0 4 PLC ±0 ANGLES ±3		APVD S. FLICKINGER 07AUG2007	NAME SOCKET CONNECTOR, STRAIGHT COMPLIANT TAIL FLATPAQ
MATERIAL 2 -	FINISH 3 -	PRODUCT SPEC -	SIZE A200779
		APPLICATION SPEC -	CAGE CODE G-6646440
		WEIGHT -	DRAWING NO 6646440
		CUSTOMER DRAWING	RESTRICTED TO -
		SCALE 3:1	SHEET 1 OF 3 REV A

ELCON FLATPAQ

THIS DRAWING IS UNPUBLISHED. RELEASED FOR PUBLICATION 20
 © COPYRIGHT 20 BY TYCO ELECTRONICS CORPORATION. ALL RIGHTS RESERVED.

LOC	DIST	REVISIONS			
P	LTR	DESCRIPTION	DATE	DWN	APVD
GP	00	-	SEE SHEET 1	-	-



PRINTED CIRCUIT LAYOUT
 COMPONENT SIDE

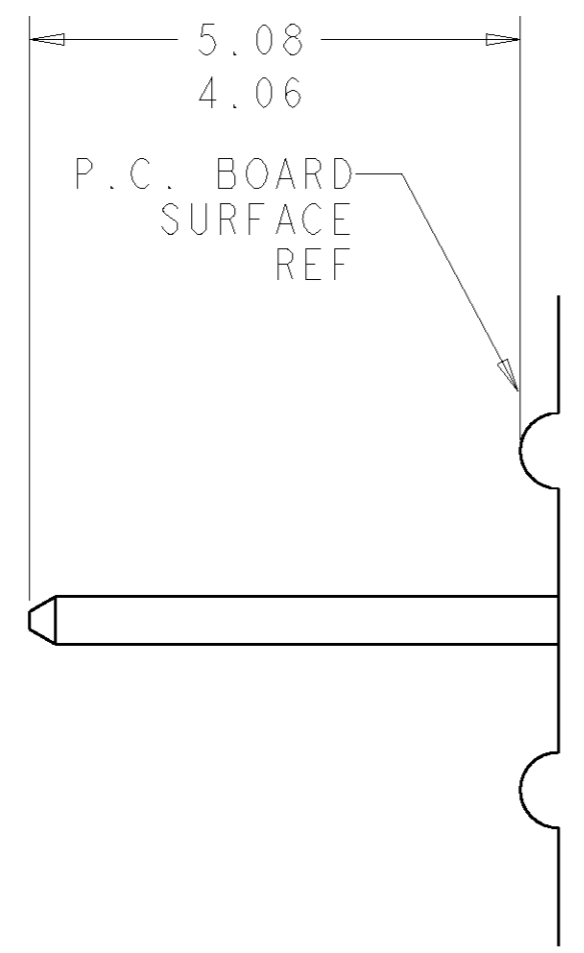
CONNECTOR	CATALOG MODULE #	QTY	SIZE NO.	CONTACT QTY	MATING PIN	MAX. CURRENT (PER CONTACT)	CONTACT SPACING	VOLTAGE RATING
SOCKET	FPI16	3	8	3	1.25 X 7.00 [.049 X .276]	35 amps	7.50 [.2953]	250 VOLTS

<small>THIS DRAWING IS A CONTROLLED DOCUMENT FOR TYCO ELECTRONICS CORPORATION. IT IS SUBJECT TO CHANGE AND THE CONTROLLING ENGINEERING ORGANIZATION SHOULD BE CONTACTED FOR THE LATEST REVISION.</small>		DWN 07AUG2007 R. GRZYBOWSKI CHK 07AUG2007 P. DAMATO APVD 07AUG2007 S. FLICKINGER	Tyco Electronics Harrisburg, PA 17105-3608
DIMENSIONS: mm 	TOLERANCES UNLESS OTHERWISE SPECIFIED: 0 PLC ±.5 1 PLC ±.5 2 PLC ±.25 3 PLC ±0 4 PLC ±0 ANGLES ±3 FINISH	NAME SOCKET CONNECTOR, STRAIGHT COMPLIANT TAIL FLATPAQ	SIZE A200779
MATERIAL		PRODUCT SPEC APPLICATION SPEC WEIGHT CUSTOMER DRAWING	DRAWING NO. G-6646440 SCALE 3:1 SHEET 2 OF 3 REV A

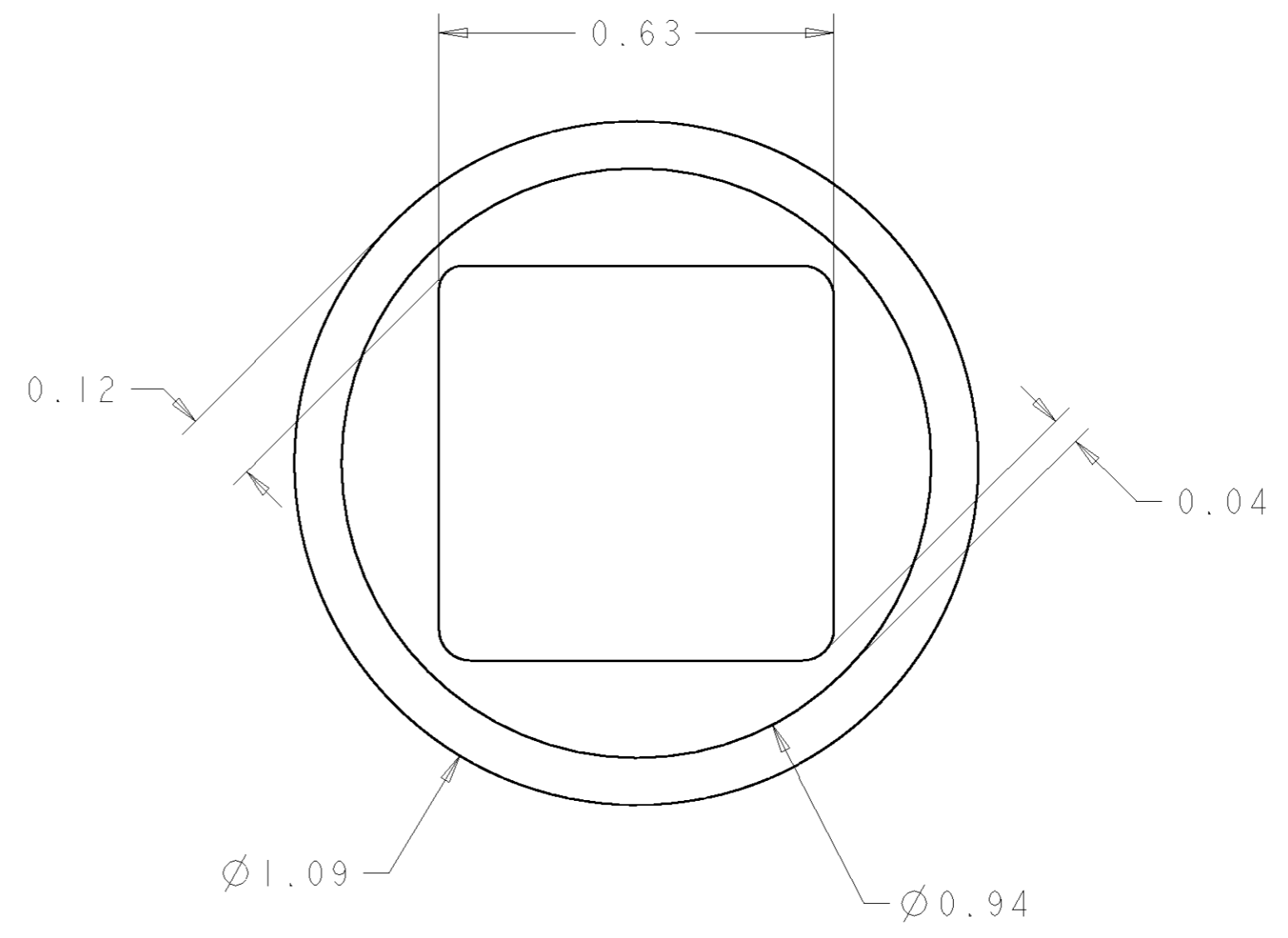
ELCON FLATPAQ

THIS DRAWING IS UNPUBLISHED. RELEASED FOR PUBLICATION 20
 © COPYRIGHT 20 BY TYCO ELECTRONICS CORPORATION. ALL RIGHTS RESERVED.

LOC	DIST	REVISIONS			
P	LTR	DESCRIPTION	DATE	DWN	APVD
GP	00	-	SEE SHEET 1	-	-



5. SOLDER PIN DETAIL
SCALE 10 : 1



6. SOLDER TERMINATION AREA
SCALE 40:1
 RECOMMENDED PRINTED CIRCUIT SOLDER HOLE
 FINISHED HOLE: Ø1.02 [.040] ±.08 [.003]
 DRILLED HOLE: Ø1.15 [.0453] ±.013 [.0005]
 COPPER PLATE: .025 [.0010] MIN
 TIN PLATE: .008 [.0003] MIN. (PER SURFACE)

ELCON **FLATPAQ**

THIS DRAWING IS A CONTROLLED DOCUMENT FOR TYCO ELECTRONICS CORPORATION IT IS SUBJECT TO CHANGE AND THE CONTROLLING ENGINEERING ORGANIZATION SHOULD BE CONTACTED FOR THE LATEST REVISION.		DWN R. GRZYBOWSKI 07AUG2007	Tyco Electronics Harrisburg, PA 17105-3608	
DIMENSIONS: mm		CHK P. DAMATO 07AUG2007	NAME SOCKET CONNECTOR, STRAIGHT COMPLIANT TAIL FLATPAQ	
TOLERANCES UNLESS OTHERWISE SPECIFIED: 0 PLC ±.5 1 PLC ±.5 2 PLC ±.25 3 PLC ±0 4 PLC ±0 ANGLES ±3 FINISH		APVD S. FLICKINGER 07AUG2007	SIZE A200779	DRAWING NO G-6646440
MATERIAL		PRODUCT SPEC -	RESTRICTED TO -	
		APPLICATION SPEC -	SCALE 3:1	SHEET 3 OF 3
		WEIGHT -	REV A	
		CUSTOMER DRAWING		

单击下面可查看定价，库存，交付和生命周期等信息

[>>TE Connectivity\(泰科\)](#)