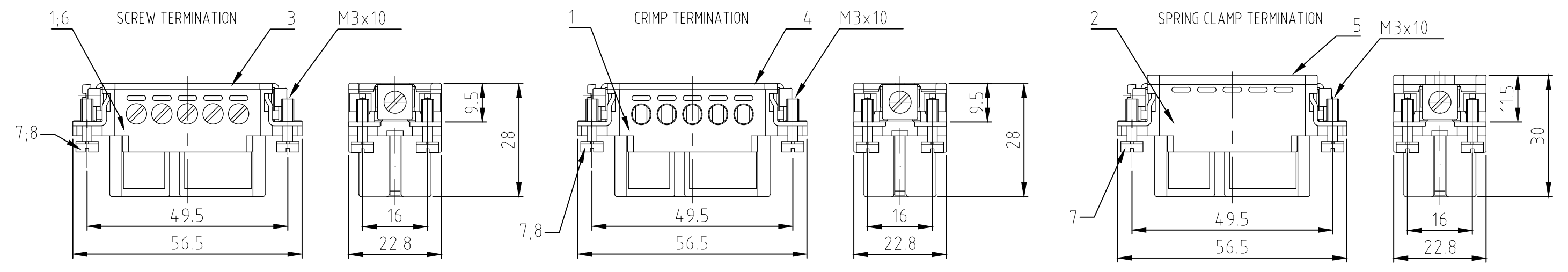
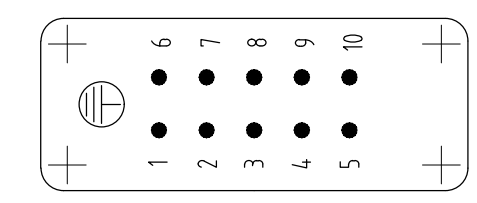


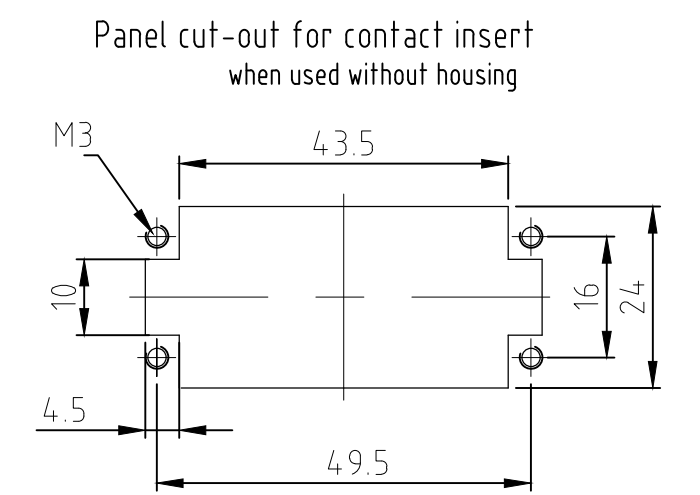
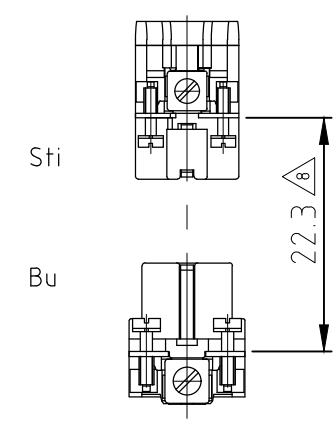
P	LTR	DESCRIPTION	DATE	DWN	APVD
	D4	REVISED PER ECR-17-014011	27MAR18	NG	MKO



Contact arrangement / view from termination side



Assembling instruction
 DISTANCE FOR SAFETY CONTACT MARKING MAX. 24 mm



- NOTES
- SUITABLE CRIMP CONTACTS: SERIES HE/HA
OUTER DIMENSIONS OF INSULATION: MAX. Ø3,2 MM
 - SUITABLE HOOD SIZE 2: SERIES HA; HD
SUITABLE INSERTION AND EXTRACTION TOOL:
SCREWDRIVER 0,5x3 DIN 5264
 - Strip lenght: Screw conection 10mm
Spring clamp conection 10mm Crimp conection 7.5mm
 - STANDARDS:
DIN EN 61984; DIN EN 60664-1
- 5 PACKAGING
10 SETS IN A CARTON, PRE-MOUNTED
 - 6 SPECIAL PACKAGING
200 PIECES IN A KANN-BAN BOT
 - 7 SPECIAL PACKAGING
100 PIECES IN A KANN-BAN BOT

ITEM NO. POS.	DESCRIPTION / BENENNUNG	MATERIAL	Surface	COLOR / FARBE	ITEM NO. POS.	NOTES
8	fixing screw	stainl. steel	blank/even		8	M3x10
7	fixing screw	Stahl/steel	nickel plated	blue	7	M3x10
6	socket insert screw	PBT		light beige	6	with AU contact
5	cover spring strain clip	PBT		light beige	5	
4	cover crimp	PBT		light beige	4	
3	cover screw	PBT		light beige	3	
2	socket insert spring strain clip	PBT		light beige	2	
1	socket insert crimp&screw	PBT		light beige	1	

ORDERING TEXT / BESTELL TEXT	THIS DRAWING IS A CONTROLLED DOCUMENT. DIESE ZEICHNUNG IST EIN KONTROLLIERTES DOKUMENT.		DWN Schneider 08.02.2000	TE Connectivity Socket insert Buchseneinsatz HA.10.Bu	RESTRICTED TO NUR FUER
	DIMENSIONS: MASSE/NHEITEN: mm	TOLERANCES UNLESS OTHERWISE SPECIFIED: ALLGEMEINTOLERANZEN	CHK Schweiger 08.02.2000		
	0 PLC ± - p. ISO 2768 - M 1 PLC ± - p. ISO 2768 - M 2 PLC ± - p. ISO 2768 - M 3 PLC ± - p. ISO 2768 - M 4 PLC ± - p. ISO 2768 - M ANGLES / WINKEL ± - p. DIN 16901 - 120° E		APVD -		
	MATERIAL		NAME		
MATERIAL: - FINISH/OBERFLAECHE/FARBE: -		PRODUCT SPEC: 108-74007 APPLICATION SPEC: 114-74009	SIZE: A3 CAGE CODE: 00779 DRAWING NO: G-1103415	SCALE: 1:1	SHEET: 1 OF 1 REV: D4

单击下面可查看定价，库存，交付和生命周期等信息

[>>TE Connectivity\(泰科\)](#)