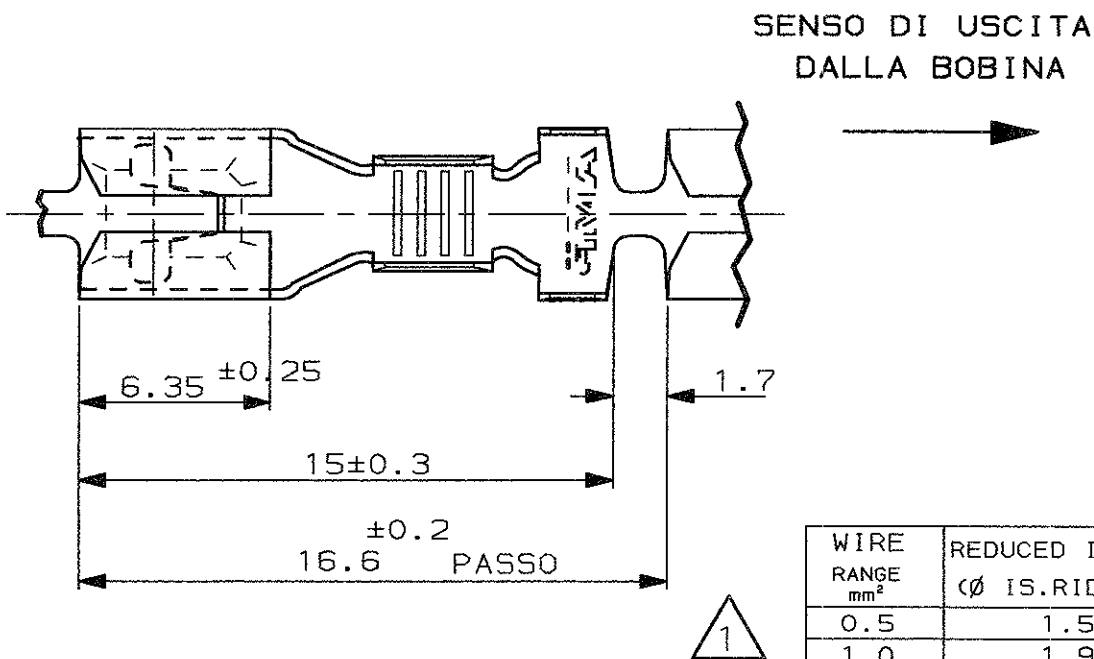
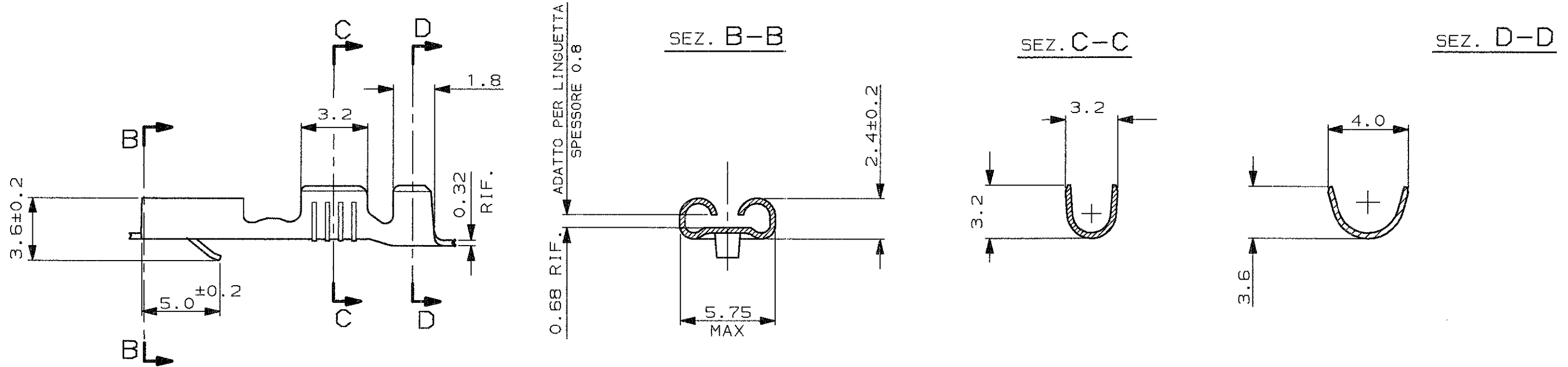


SCALA NON IMPEGNATIVA  
(DO NOT SCALE)  
DIMENSIONI IN mm  
(DIMENSIONS IN mm)

**METRIC**

PROIEZIONE EUROPEA  
(EUROPEAN PROJECTION)



WIRE RANGE mm <sup>2</sup>	REDUCED INS. CABLE (Ø IS. RID. FASE 3)
0.5	1.5-1.7
1.0	1.9-2.1
1.5	2.2-2.4

STAGNATO	BRONZO FOSF. SO	282180-3
STAGNATO	OTTONE	282180-1
FINITURA / COLORE (FINISH / COLOUR)	MATERIALE (MATERIAL)	NUMERO (PART NUMBER)

CUSTOMER DWG. FOR REFERENCE ONLY      DISEGNO PER CLIENTE SOLO PER RIFERIMENTO

THIS DRAWING IS UNPUBLISHED      RELEASE FOR PUBLICATION      19

© COPYRIGHT 19 BY AMP INCORPORATED, HARRISBURG, PA. ALL INTERNATIONAL RIGHT RESERVED. AMP PRODUCTS MAY BE COVERED BY U.S. AND FOREIGN PATENT AND/OR PATENT PENDING

TOLLERANZE: SE NON DIVERSAMENTE SPECIFICATO (TOLERANCES, UNLESS OTHERWISE SPECIFIED)	DIAM. ISOLANTE (INS. DIA. RANGE) 1.5-2.4 DTA	RANGO FILO (WIRE RANGE) 0.5-1.5mm <sup>2</sup>	SCALA (SCALE) 4:1
--	--	--	-------------------

ANGOLI (ANGLES) ± 0.3 ± 2°

**AMP** AMP ITALIA S.p.A.  
Corso F.lli Cervi, 15  
COLLEGNO (TORINO)

DIS. 3 OCT. 90 CONT. VERGANO P.  
DESCRIZIONE (DESCRIPTION) FASTIN-ON REC. (.187 SRS.) TERMINAL

REV. (REV. LTR.)	REVISIONI (REVISION RECORD)	DIS. (DR)	DATA (DATE)	APP. (APP.)
B1	REVISED ET00-0212-01		04 SEP 2001	
B	AGGIUNTO P/N 282180-3	C. I.	7/5/1992	CONT. (CHK) -
A	IN PRODUZIONE ECN 1-2872		3/6/91	

LOC. (LOC.)	SIZE (SIZE)	NUMERO (DWG NO)	REV. (REV.)	FOGLIO (SHEET)
I	A3	C-282180	B1	1 DI (OF) 1

单击下面可查看定价，库存，交付和生命周期等信息

[>>TE Connectivity\(泰科\)](#)