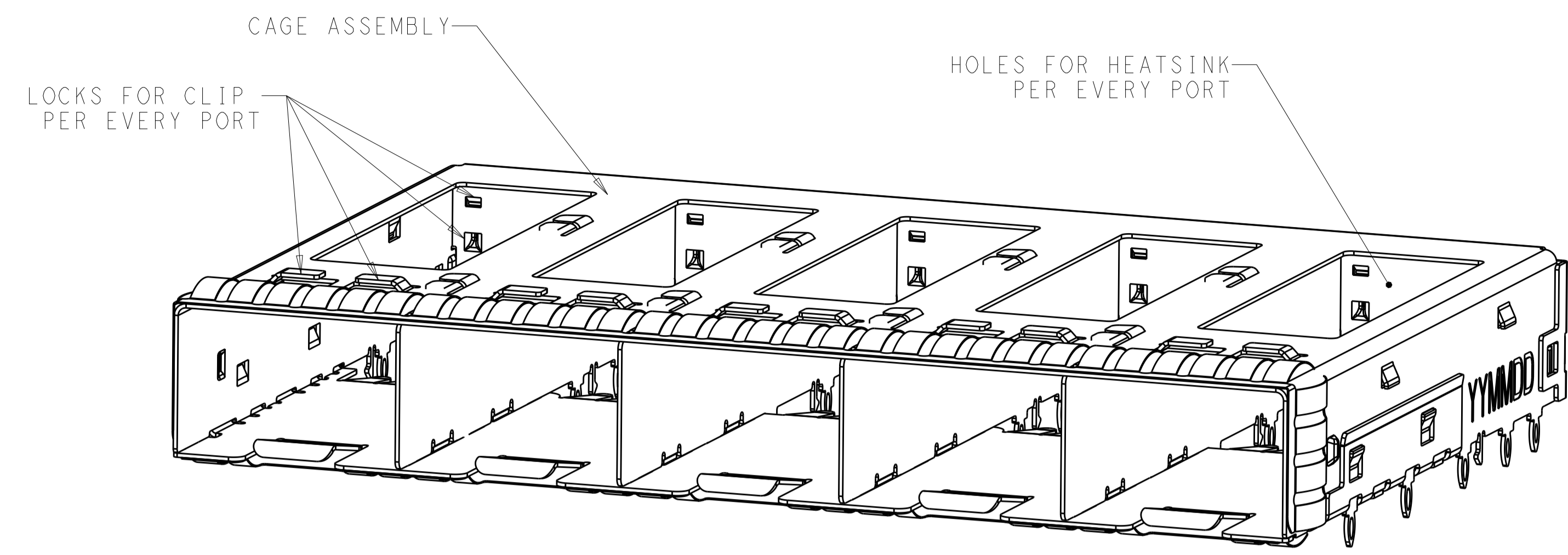
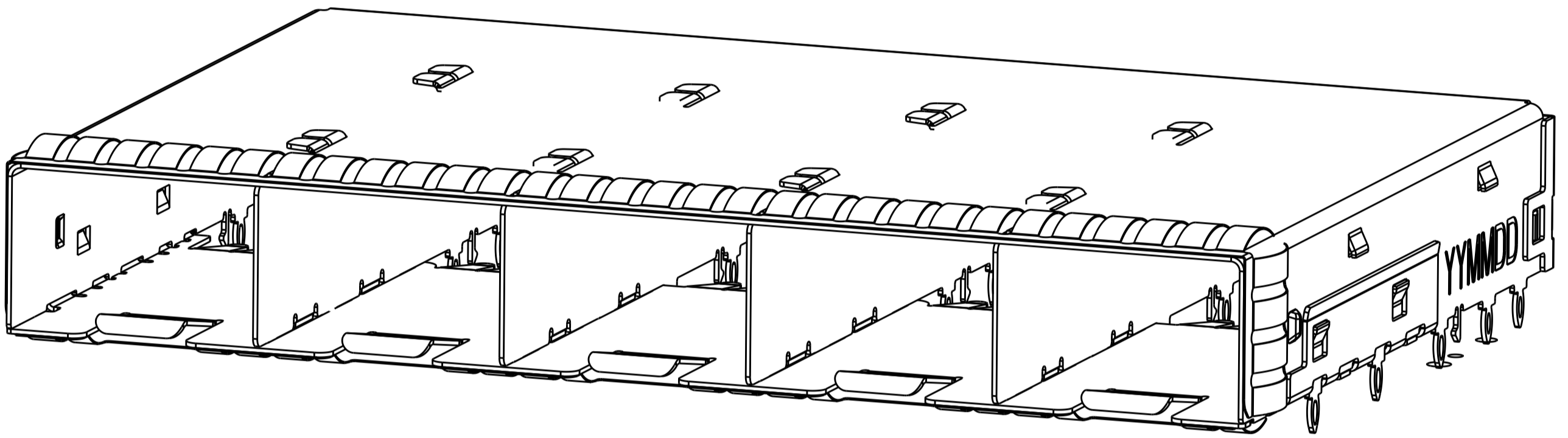


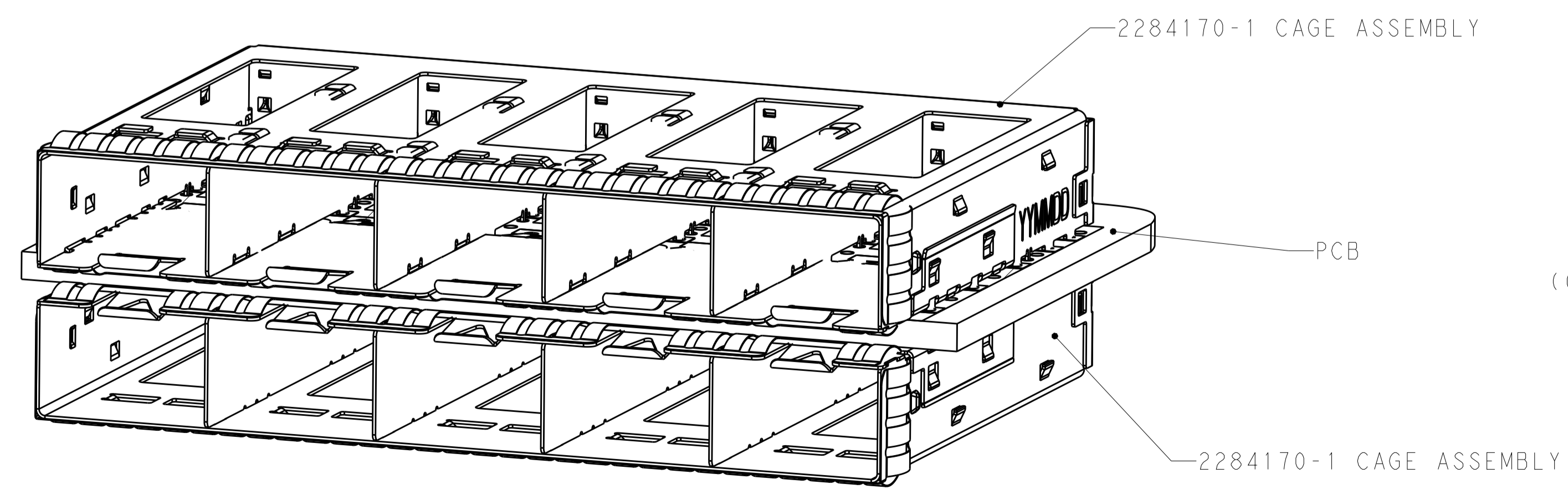
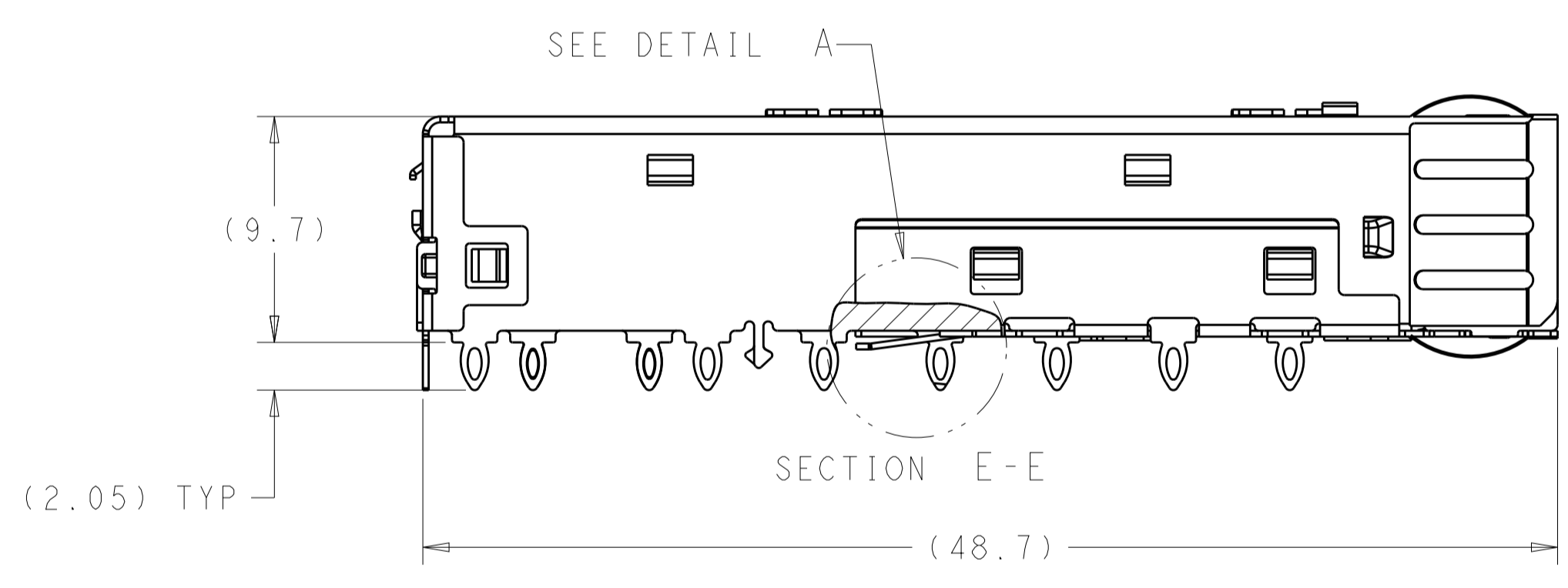
LOC	DIST	REVISIONS					
GP	00	P	LTN	DESCRIPTION	DATE	DWN	APVD
		A		INITIAL RELEASE	20MAY2015	JW	SH
		A1		ADD DASH-3	23NOV2015	JW	SH



2284170-1
FINISHED ASSEMBLY



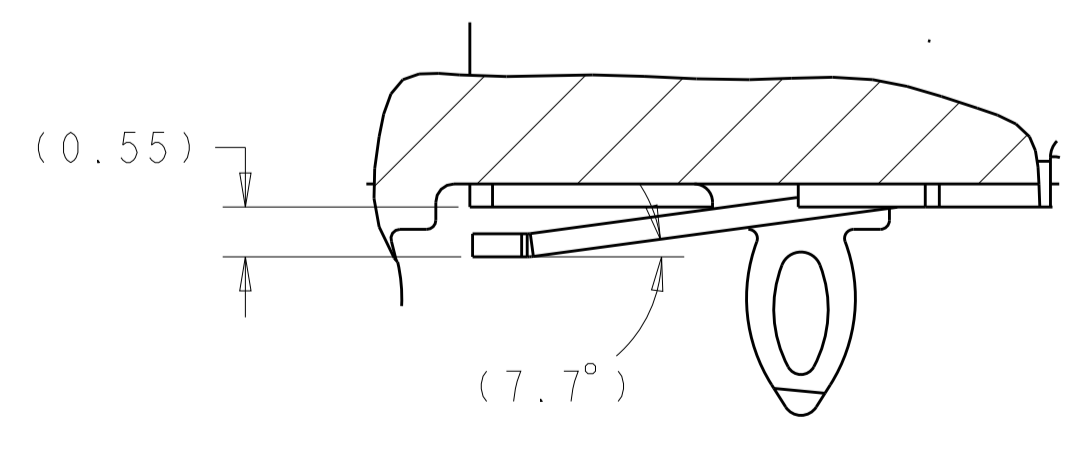
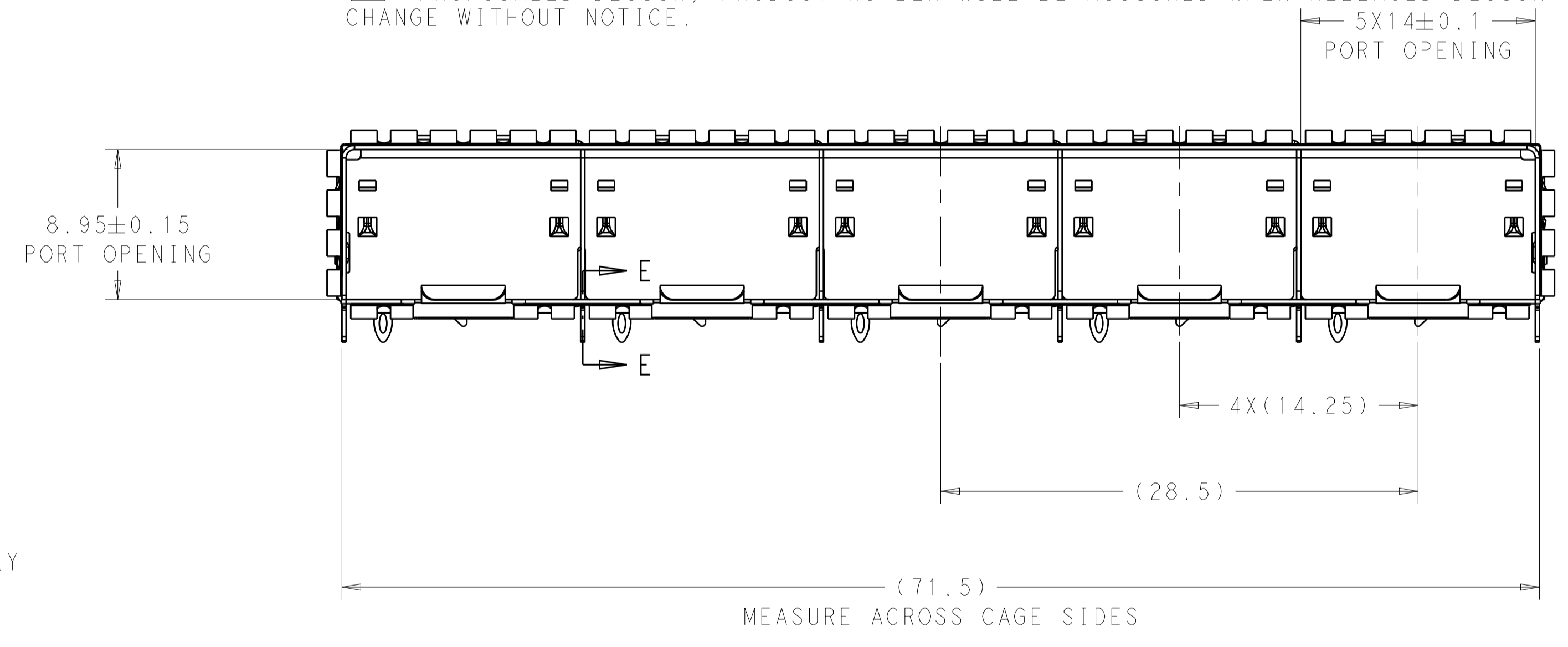
2284170-3
FINISHED ASSEMBLY



SCALE 3:1

2284170-1
MOUNTED BELLY TO BELLY ON PCB

1. MATERIAL: 0.25mm THICK NICKEL SILVER ALLOY.
EMI SPRINGS: COPPER ALLOY.
 2. FINISH:
SPRINGS: MINIMUM OF 0.8um TIN PLATE OVER A MINIMUM OF 0.8um NICKEL UNDERPLATE. NON-PLATED EDGES PERMISSIBLE.
 3. MATES WITH SFP MSA COMPLIANT TRANSCEIVERS.
 4. PADS AND VIAS CHASSIS GROUND.
 5. INTERPRETATION OF DATUM REFERENCE FRAME IN ACCORDANCE WITH SECT 4.4.1.1 OF ASME Y14.5M-1994.
 6. MINIMUM PC BOARD THICKNESS:
SINGLE SIDED = 1.45mm
DOUBLE SIDED = 2.25mm
 7. HOLE PATTERN REPEATS FOR EACH PORT. SPACING BETWEEN PORTS IS 14.25mm.
 8. DATUM AND BASIC DIMENSION ESTABLISHED BY CUSTOMER.
 9. REFERENCE APPLICATION SPEC. 114-13120, HOLE A, FOR RECOMMENDED DRILL HOLE DIAMETER AND PLATING THICKNESS.
 10. REFERENCE APPLICATION SPEC. 114-13120, HOLE B, FOR RECOMMENDED DRILL HOLE DIAMETER AND PLATING THICKNESS.
 11. CERTAIN MATING TRANSCEIVERS MAY REQUIRE ADDITIONAL PCB THICKNESS THAT WOULD BE DETERMINED BY THE CUSTOMER.
 12. PRODUCT COMPLIES WITH SPECIFICATION SFF-8433 IMPROVED PLUGGABLE FORM FACTOR FOR SFP+ GANGED CAGES
13. PROPOSED DESIGN, PRODUCT NUMBER WILL BE ASSIGNED WHEN RELEASED DESIGN IS SUBJECT OF CHANGE WITHOUT NOTICE.

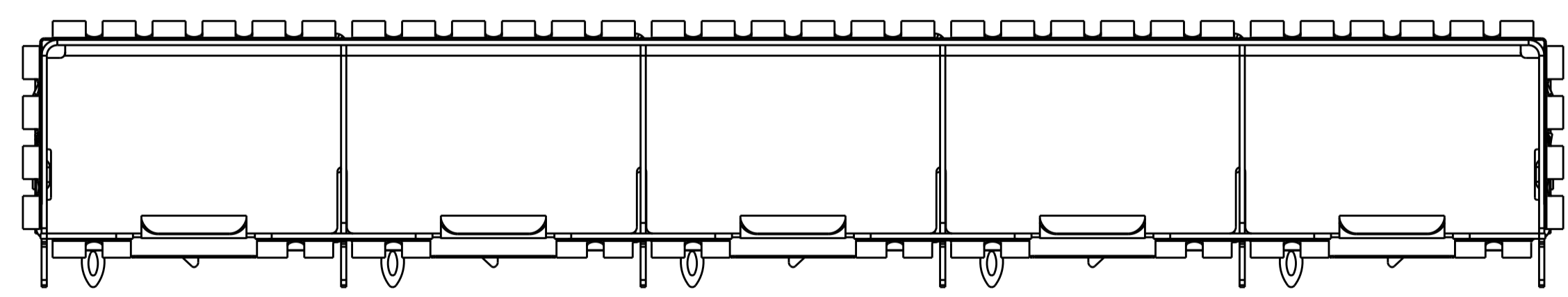
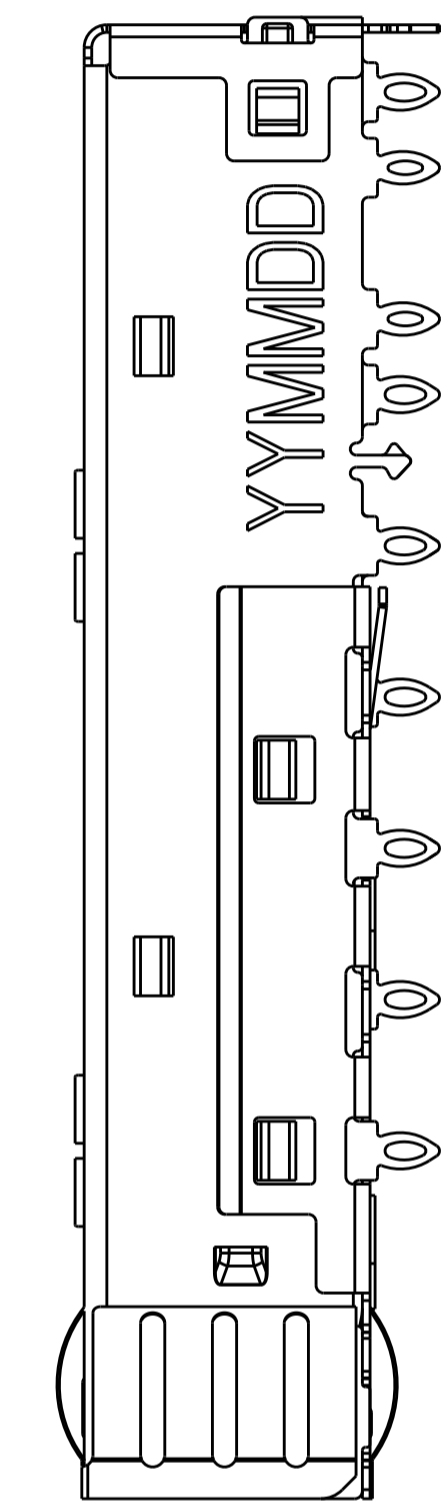
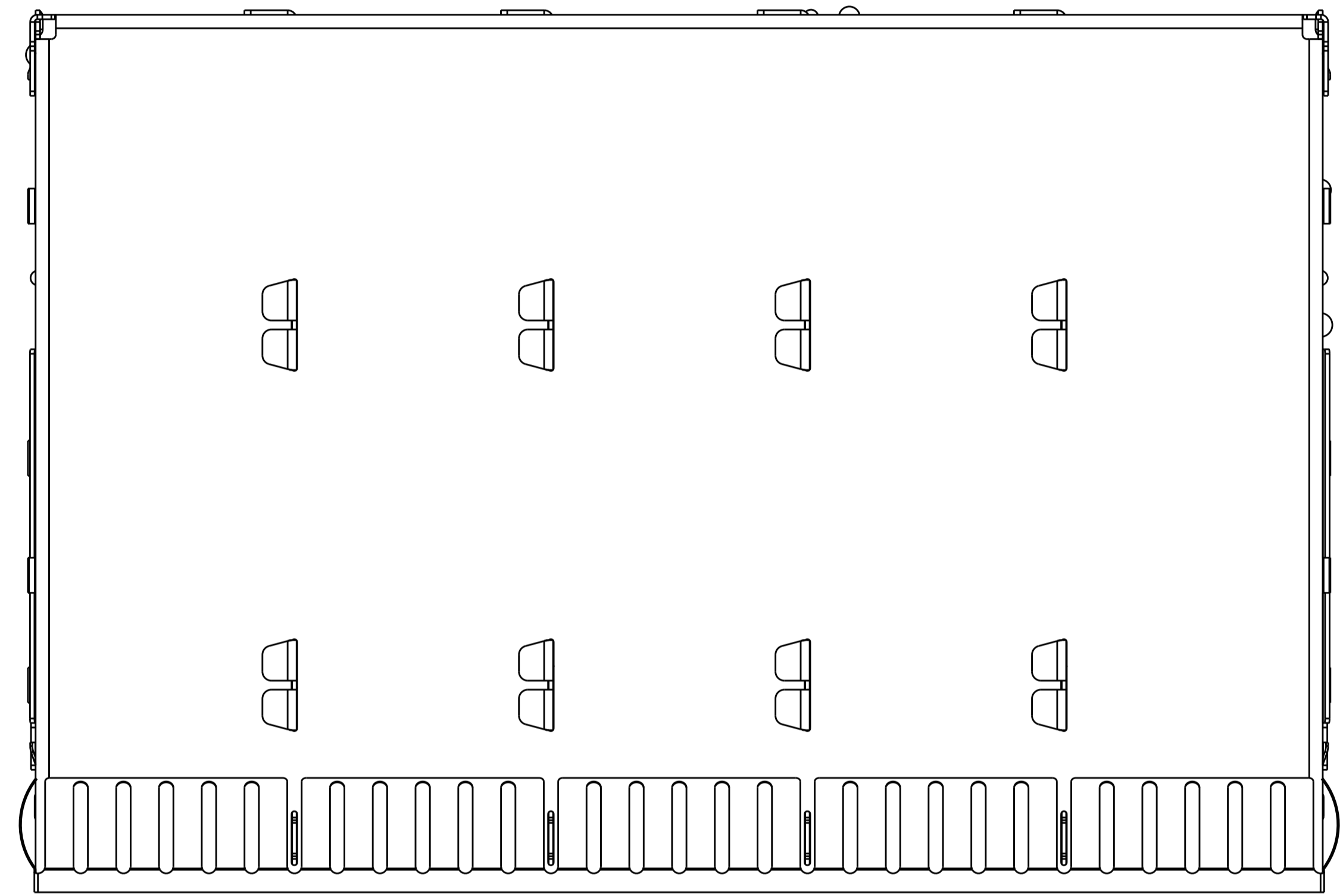
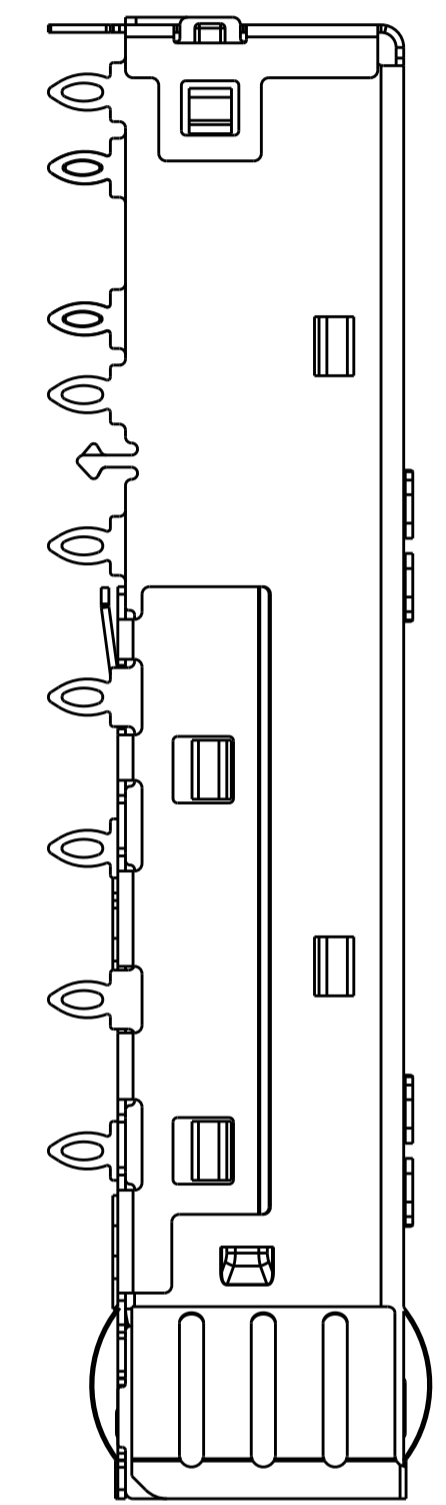
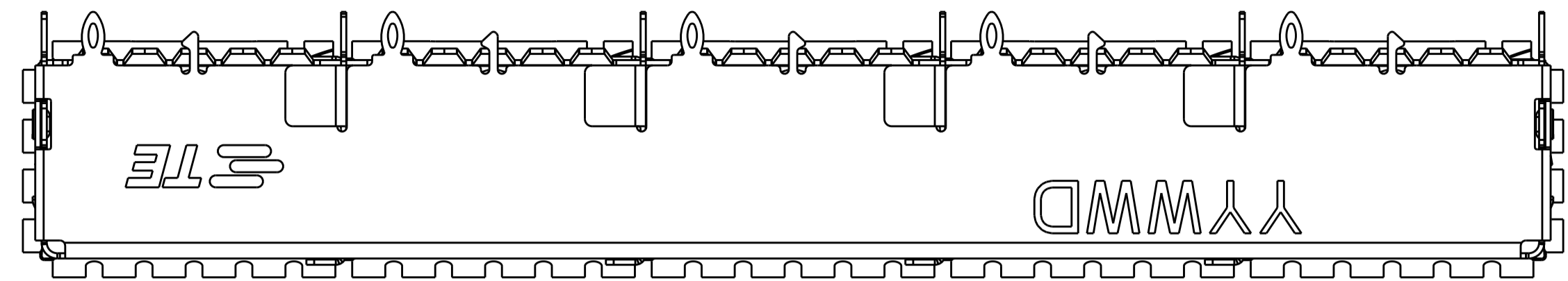


DETAIL A
25X INDIVIDUALLY
SCALE 12:1

NO	2284170-3
YES	2284170-1
HOLES FOR HEATSINK LOCKS FOR CLIP	PART NUMBER

THIS DRAWING IS A CONTROLLED DOCUMENT.		DWN: J. WANG 08AUG2014	TE Connectivity
DIMENSIONS: mm		CHK: S. HAN 08AUG2014	
TOLERANCES UNLESS OTHERWISE SPECIFIED:		APVD: S. HAN 08AUG2014	
0 PLC ±0.25 1 PLC ±0.25 2 PLC ±0.25 3 PLC ±0.25 4 PLC ±0.25 ANGLES ±		PRODUCT SPEC: 108-2364 APPLICATION SPEC: 114-13120 WEIGHT: -	
MATERIAL: -		FINISH: -	NAME: SFP+ ENHANCED 1X5 CAGE ASSEMBLY PRESS FIT, EXTERNAL EMI SPRINGS SIZE: CAGE CODE DRAWING NO: A100779C=2284170 RESTRICTED TO: - SCALE: 4:1 SHEET 1 OF 4 REV: A1

LOC		DIST		REVISIONS			
GP	00	P	LTN	DESCRIPTION	DATE	DMN	APVD
-	-	-	-	SEE SHEET 1	-	-	-

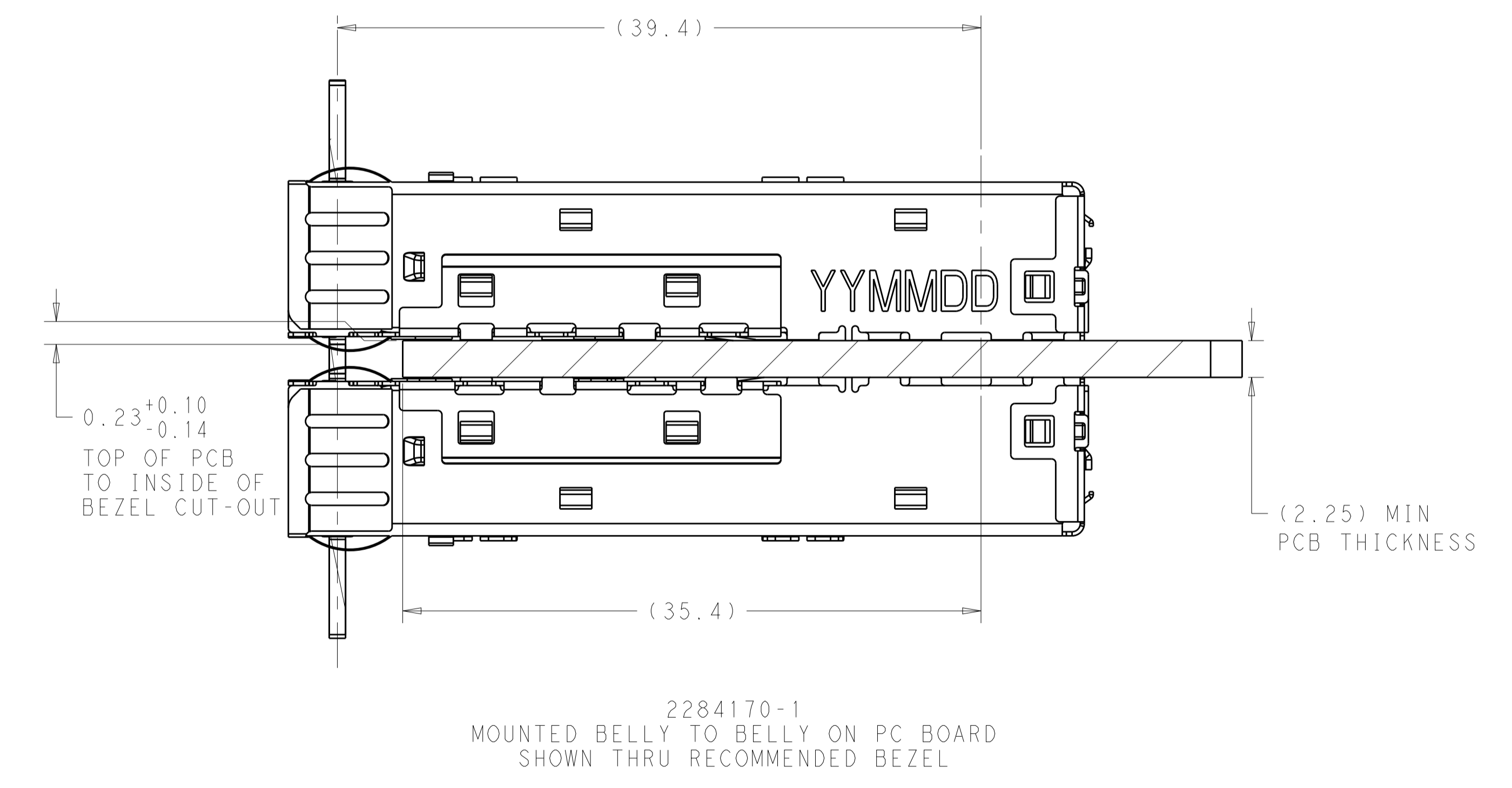
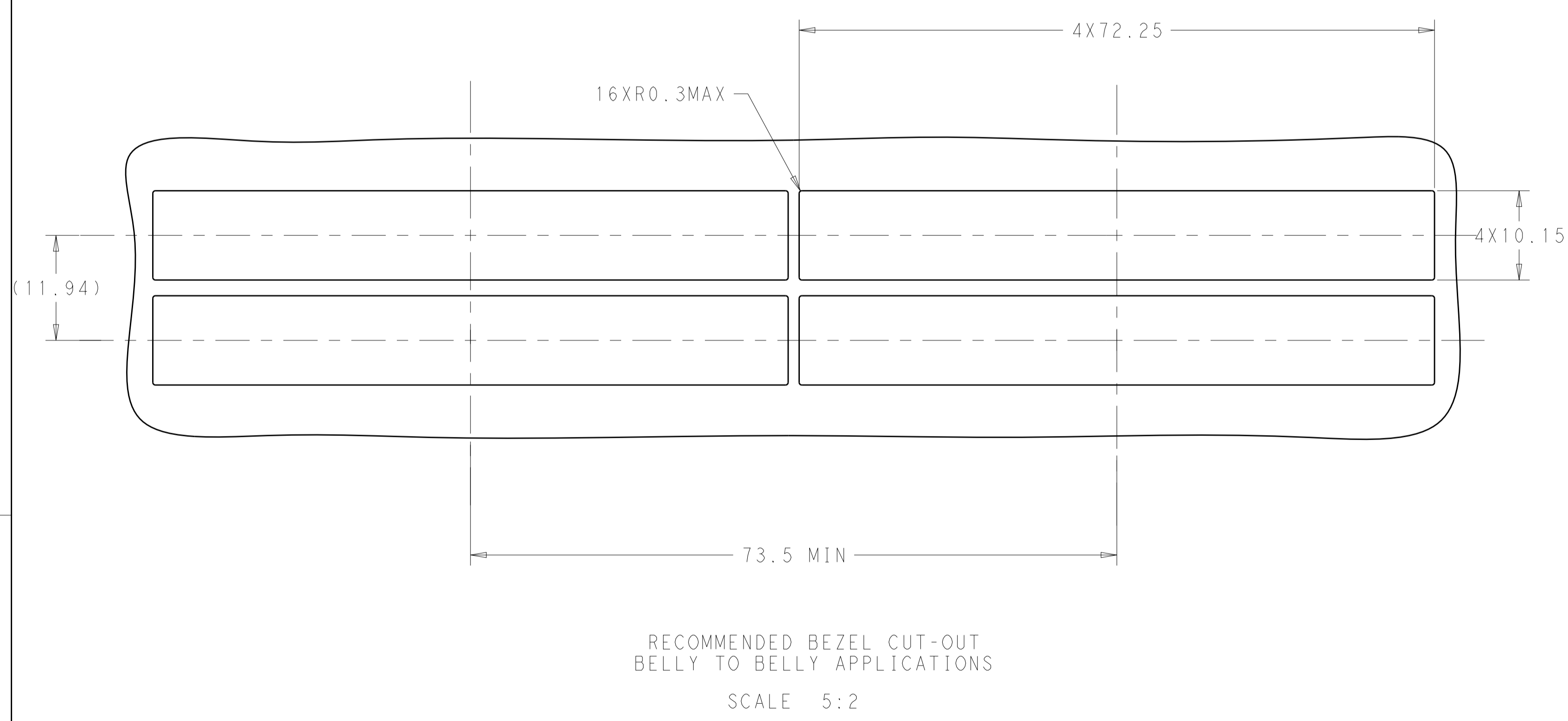
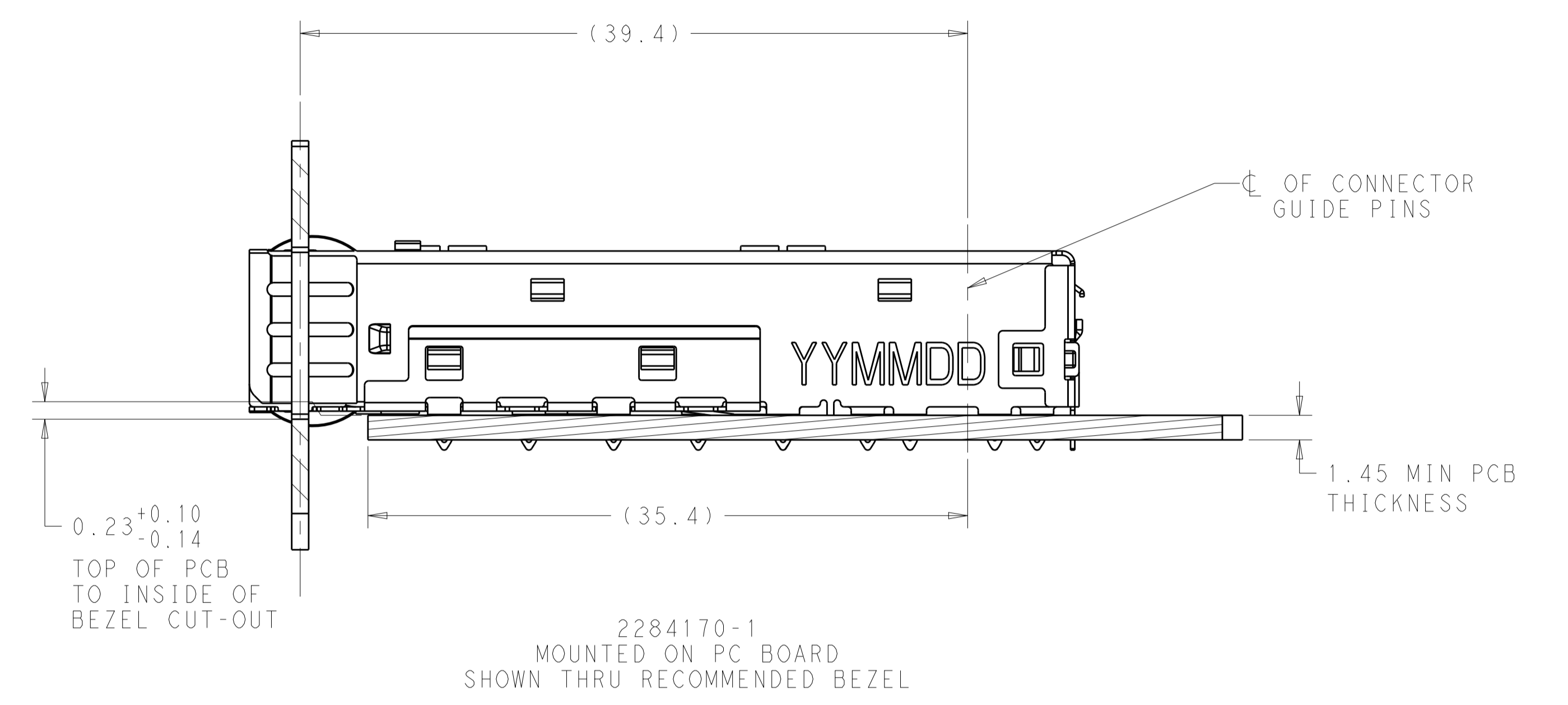
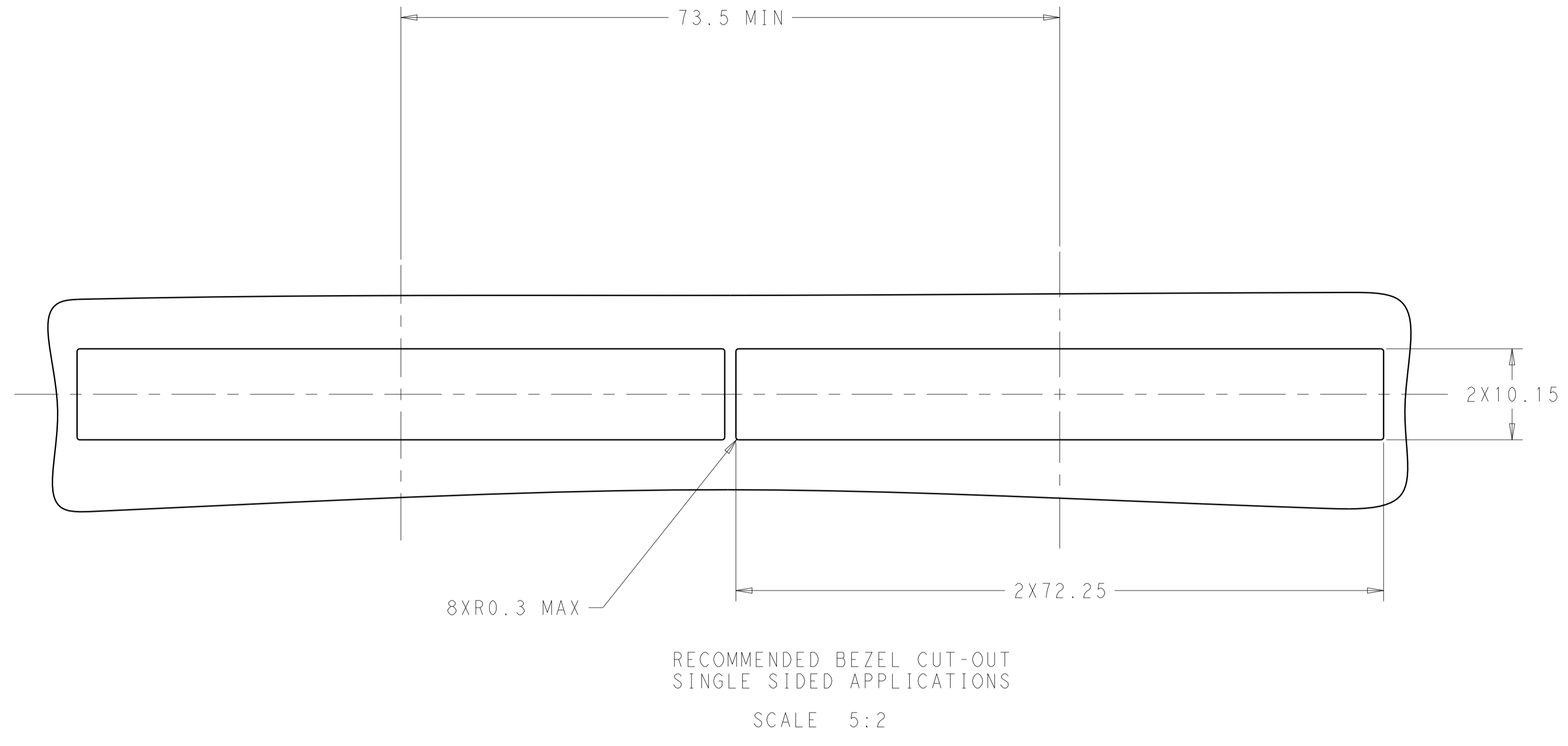


2284170-3 ALL DIMENSIONS ARE SAME AS 2284170-1
 JUST REMOVE HOLES FOR HEATSINK ON TOP WALL
 AND LOCK FOR CLIP ON TOP AND BACK WALL FROM 2284170-1

THIS DRAWING IS A CONTROLLED DOCUMENT.		DMN J. WANG 08AUG2014	TE Connectivity
DIMENSIONS:		CHK S. HAN 08AUG2014	
mm	TOLERANCES UNLESS OTHERWISE SPECIFIED:	APVD S. HAN 08AUG2014	NAME SFP+ ENHANCED 1X5 CAGE ASSEMBLY PRESS FIT, EXTERNAL EMI SPRINGS
	0 PLC ±0.1 1 PLC ±0.1 2 PLC ±0.1 3 PLC ±0.1 4 PLC ±0.1 ANGLES ±	PRODUCT SPEC 108-2364 APPLICATION SPEC 114-13120	
MATERIAL	FINISH	WEIGHT	RESTRICTED TO
	-	-	SIZE CAGE CODE DRAWING NO A100779C=2284170
Customer Drawing		SCALE 4:1	SHEET 2 OF 5 REV A1

LOC	DIST	REV	DATE	BY	APPV
GP	00				

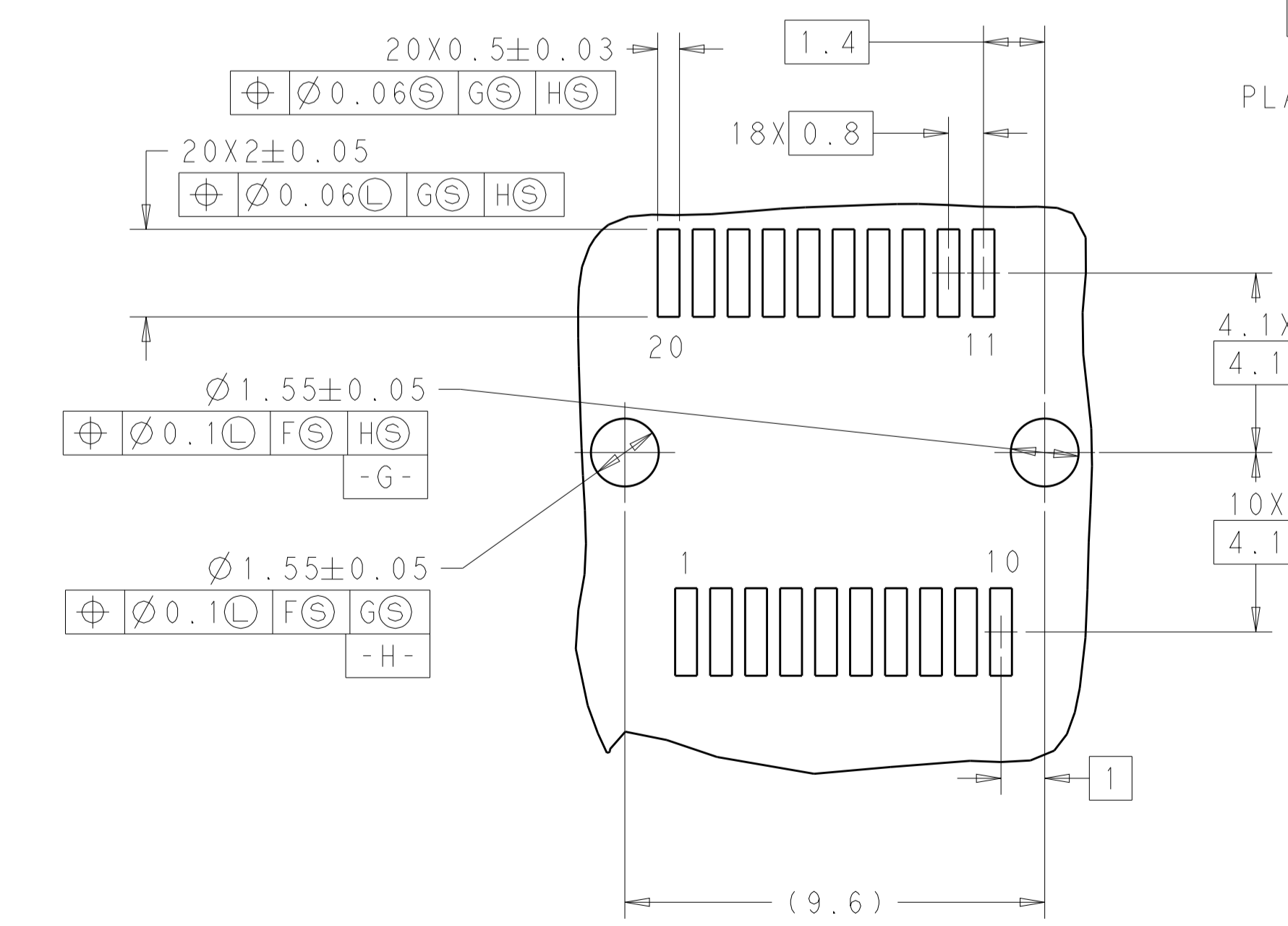
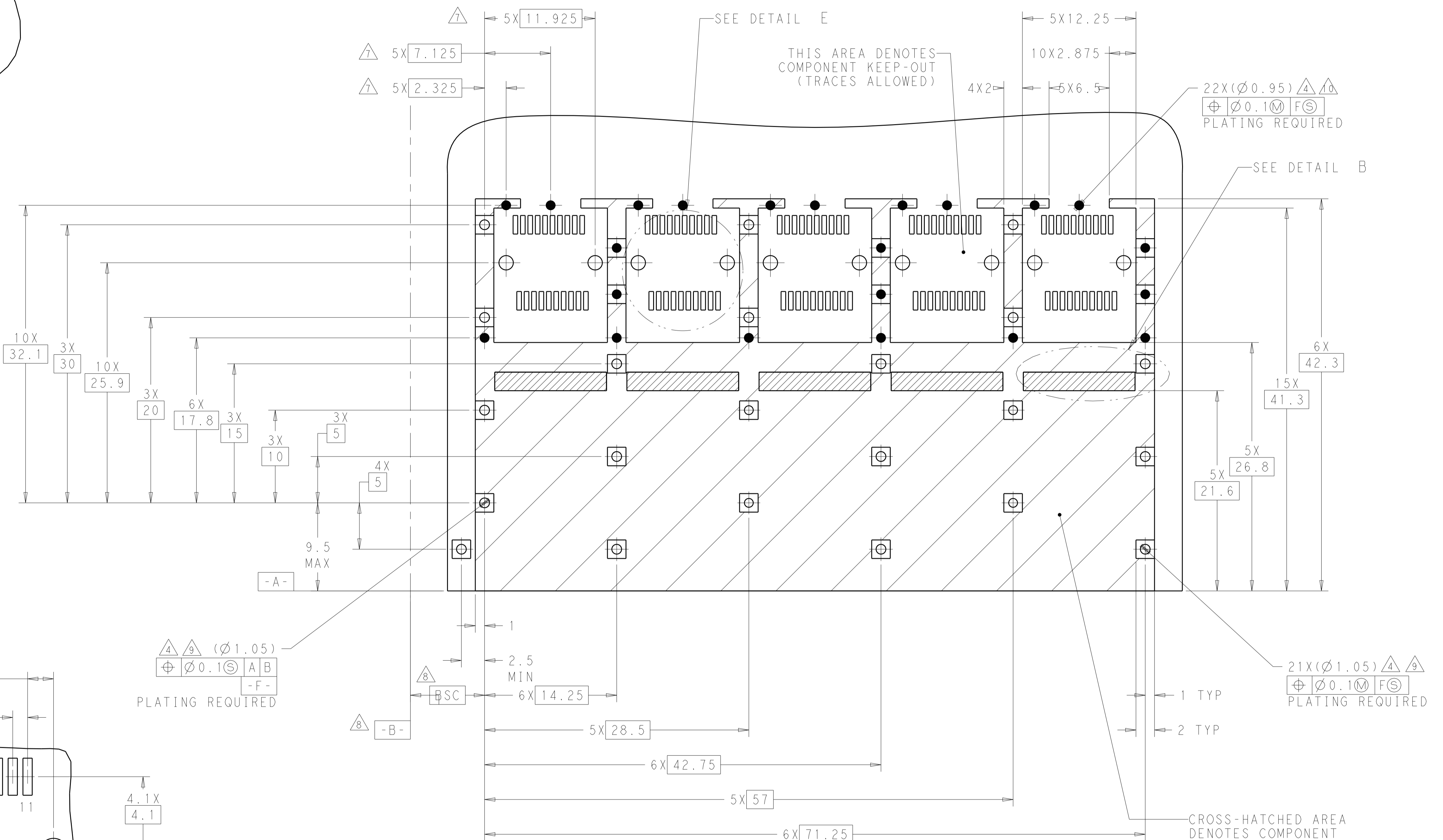
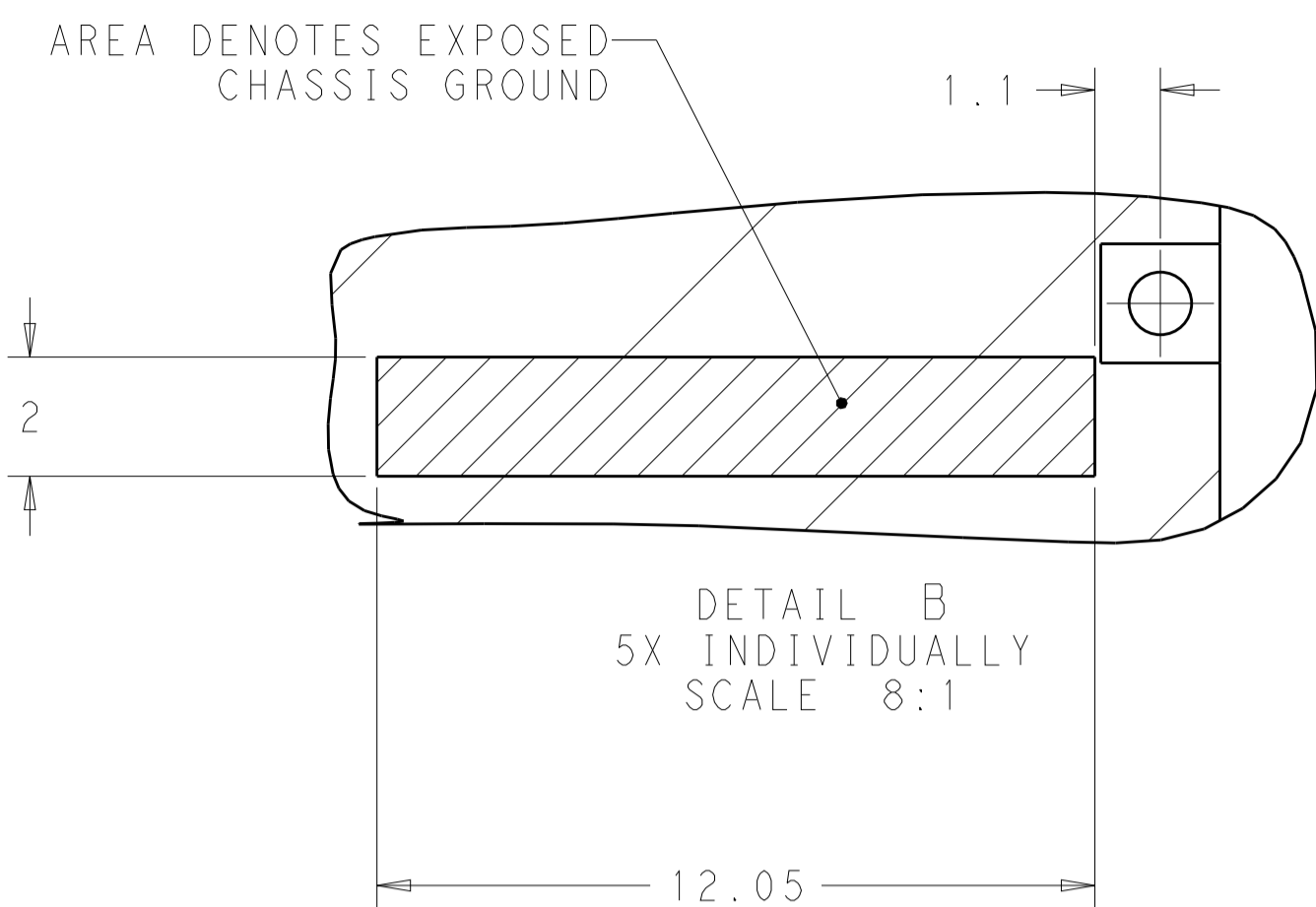
REVISIONS			
REV	DATE	BY	APPV
-	-	-	-
SEE SHEET 1			



THIS DRAWING IS A CONTROLLED DOCUMENT.		DWN J. WANG 08AUG2014	TE Connectivity														
DIMENSIONS: mm		CHK S. HAN 08AUG2014															
TOLERANCES UNLESS OTHERWISE SPECIFIED:		APVD S. HAN 08AUG2014	NAME SFP+ ENHANCED 1X5 CAGE ASSEMBLY PRESS FIT, EXTERNAL EMI SPRINGS														
<table border="1"> <tr> <td>0 PLC</td> <td>±0.1</td> </tr> <tr> <td>1 PLC</td> <td>±0.1</td> </tr> <tr> <td>2 PLC</td> <td>±0.1</td> </tr> <tr> <td>3 PLC</td> <td>±0.1</td> </tr> <tr> <td>4 PLC</td> <td>±0.1</td> </tr> <tr> <td>ANGLES</td> <td>±</td> </tr> <tr> <td>FINISH</td> <td>±</td> </tr> </table>		0 PLC	±0.1	1 PLC	±0.1	2 PLC	±0.1	3 PLC	±0.1	4 PLC	±0.1	ANGLES	±	FINISH	±	PRODUCT SPEC 108-2364	SIZE A1
0 PLC	±0.1																
1 PLC	±0.1																
2 PLC	±0.1																
3 PLC	±0.1																
4 PLC	±0.1																
ANGLES	±																
FINISH	±																
MATERIAL		APPLICATION SPEC 114-13120	RESTRICTED TO														
		WEIGHT	SCALE 4:1 SHEET 3 OF 5 REV A1														
		Customer Drawing															

LOC	DIST	REV	DATE	BY	APPD
GP	00				

REVISIONS			
NO.	DESCRIPTION	DATE	BY
-	SEE SHEET 1	-	-



RECOMMENDED PCB CONFIGURATION WITH KEEP-OUT AREAS SINGLE SIDED APPLICATIONS SCALE 4:1

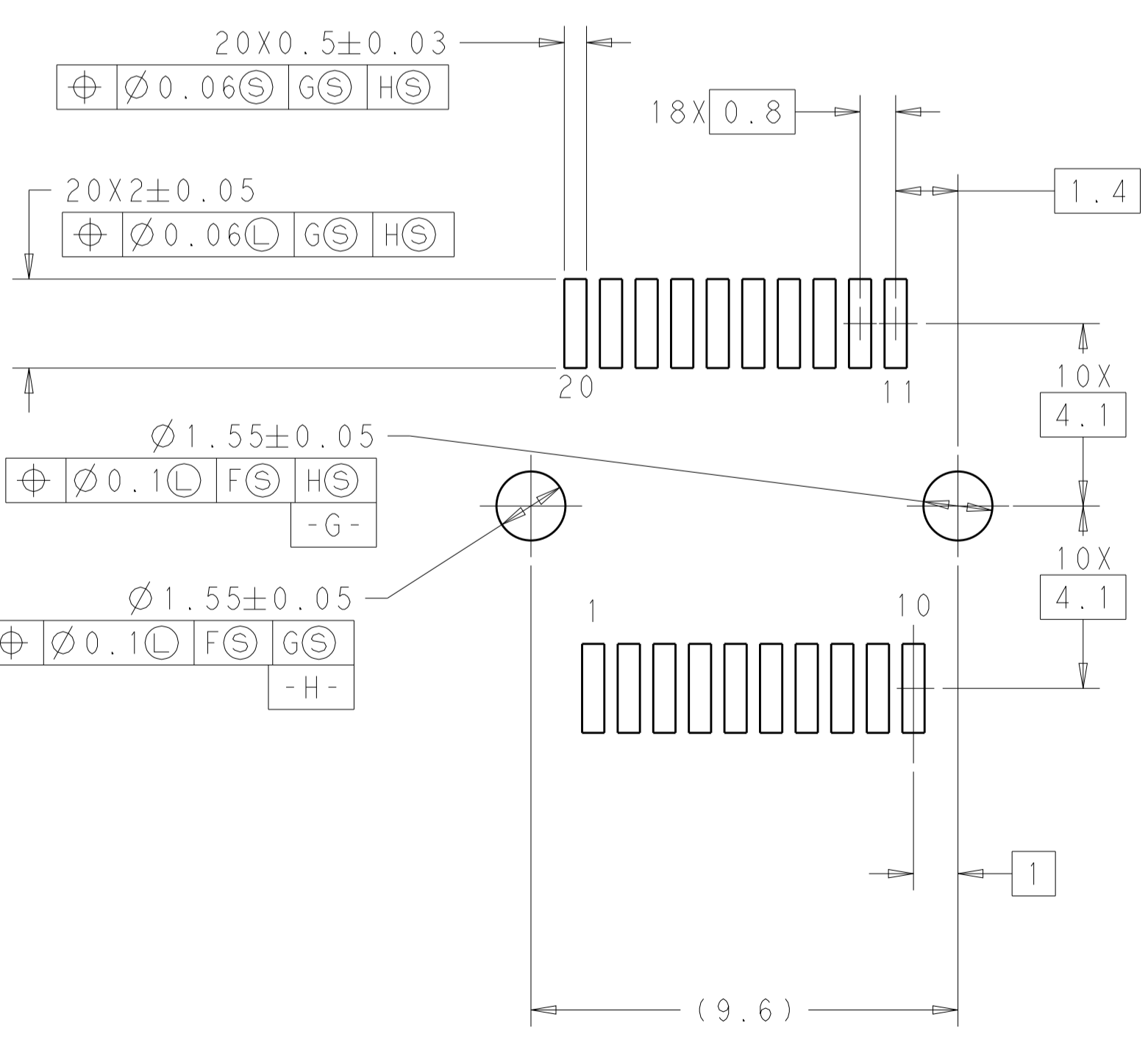
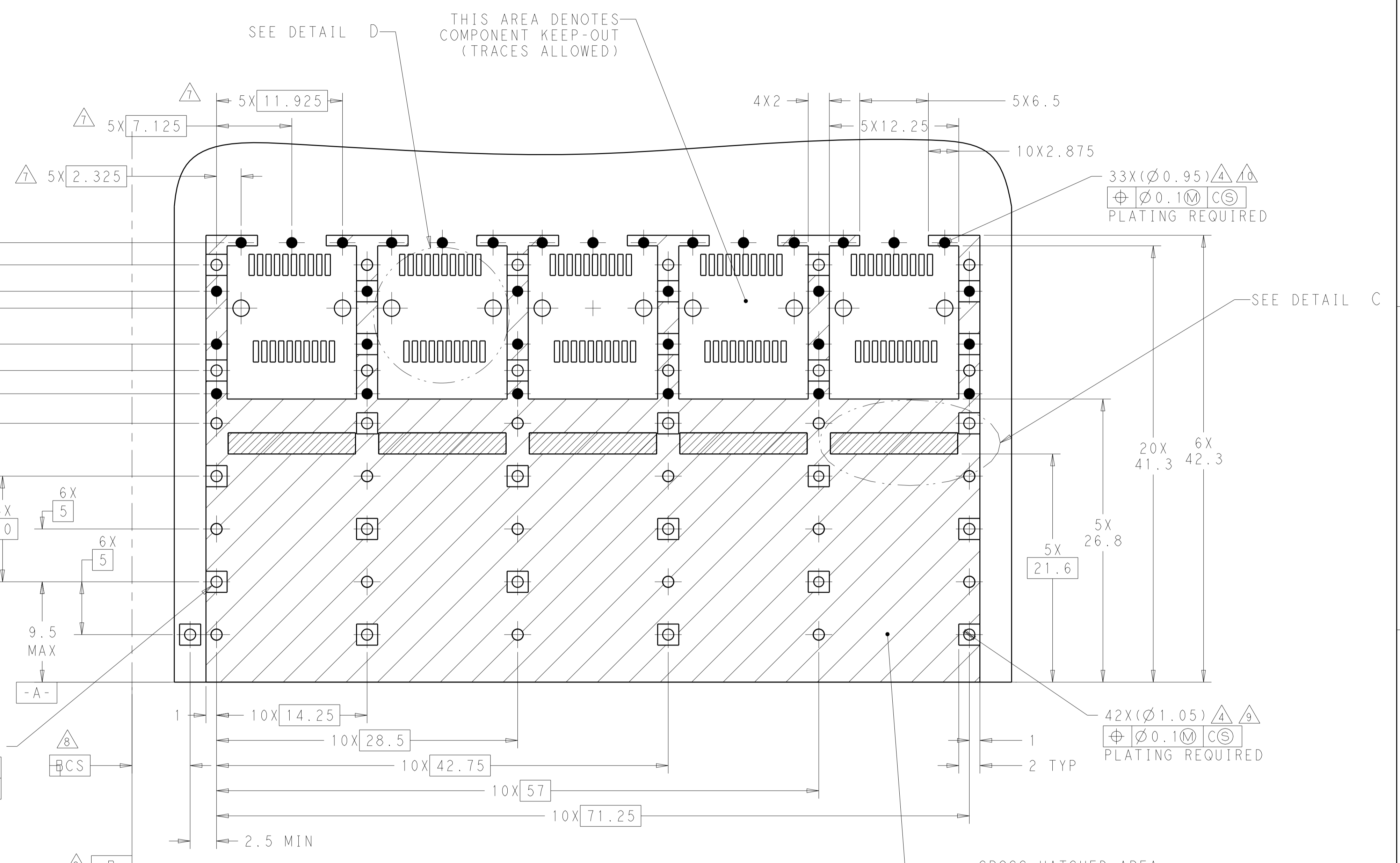
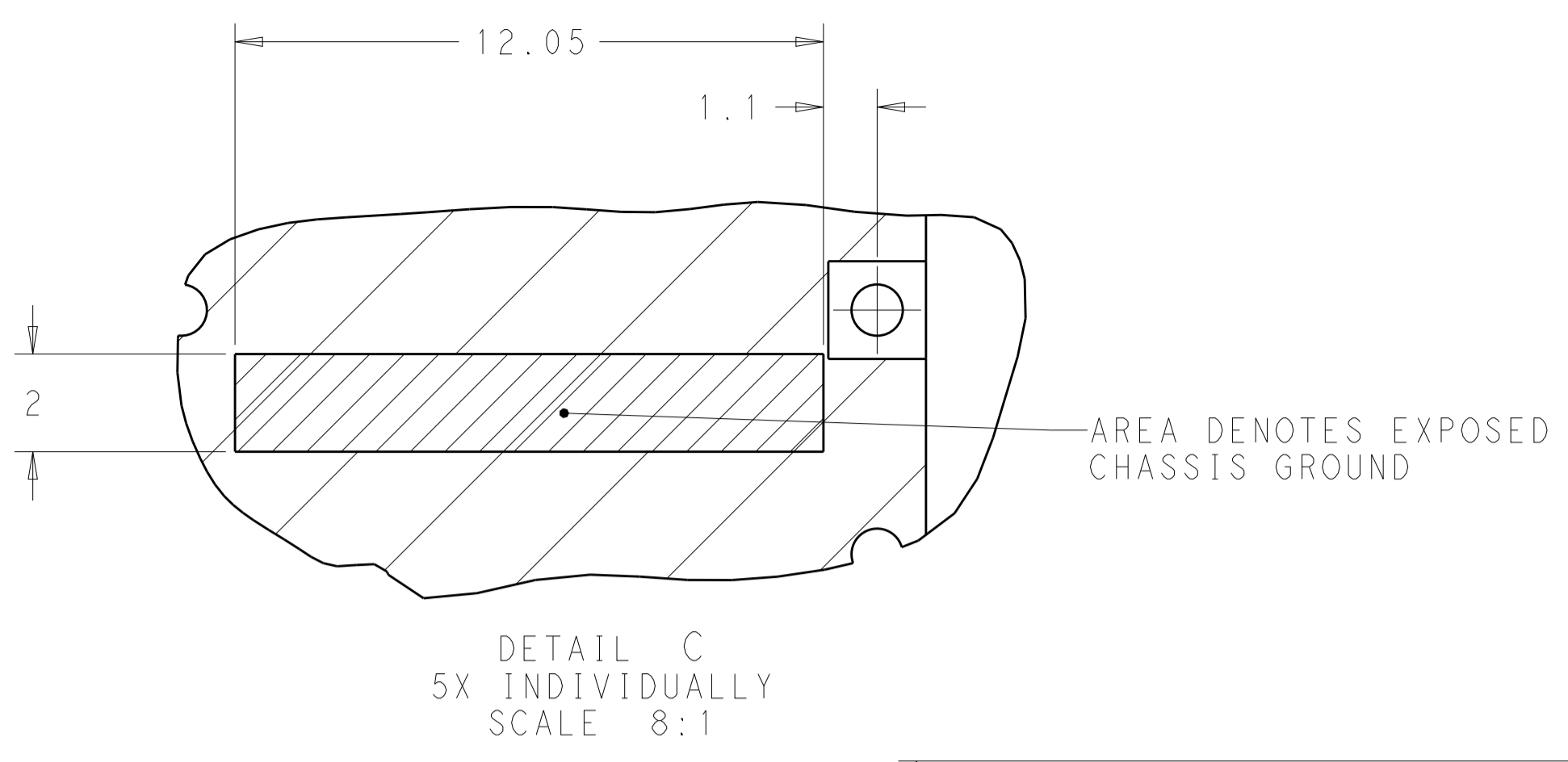
CROSS-HATCHED AREA DENOTES COMPONENT AND TRACE KEEP-OUT (EXCEPT CHASSIS GROUND)

DETAIL E
RECOMMENDED PT CONNECTOR LAYOUT
5X INDIVIDUALLY
SCALE 8:1

THIS DRAWING IS A CONTROLLED DOCUMENT.		DWN J. WANG 08AUG2014 CHK S. HAN 08AUG2014 APVD S. HAN 08AUG2014	TE Connectivity
DIMENSIONS: mm 	TOLERANCES UNLESS OTHERWISE SPECIFIED: 0 PLC ±0.1 1 PLC ±0.1 2 PLC ±0.1 3 PLC ±0.1 4 PLC ±0.1 ANGLES #	NAME SFP+ ENHANCED 1X5 CAGE ASSEMBLY PRESS FIT, EXTERNAL EMI SPRINGS PRODUCT SPEC 108-2364 APPLICATION SPEC 114-13120 WEIGHT - Customer Drawing	

LOC	DIST	REV	DATE	APPD	APVD
GP	00				

REVISIONS			
NO.	DESCRIPTION	DATE	BY
1	SEE SHEET 1		



THIS DRAWING IS A CONTROLLED DOCUMENT.		OWN: J. WANG 08AUG2014	TE Connectivity
DIMENSIONS: mm		CHK: S. HAN 08AUG2014	
TOLERANCES UNLESS OTHERWISE SPECIFIED:		APPD: S. HAN 08AUG2014	NAME: SFP+ ENHANCED 1X5 CAGE ASSEMBLY PRESS FIT, EXTERNAL EMI SPRINGS PRODUCT SPEC: 108-2364 APPLICATION SPEC: 114-13120 SIZE: A1 CAGE CODE: 00779 DRAWING NO: C=2284170 RESTRICTED TO: -
0 PLC ±0.1		PRODUCT SPEC: 108-2364	
1 PLC ±0.1		APPLICATION SPEC: 114-13120	
2 PLC ±0.1		WEIGHT: -	
3 PLC ±0.1		Customer Drawing	SCALE: 4:1
4 PLC ±0.1			SHEET 5 OF 5
ANGLES: #			REV: A1

单击下面可查看定价，库存，交付和生命周期等信息

[>>TE Connectivity\(泰科\)](#)