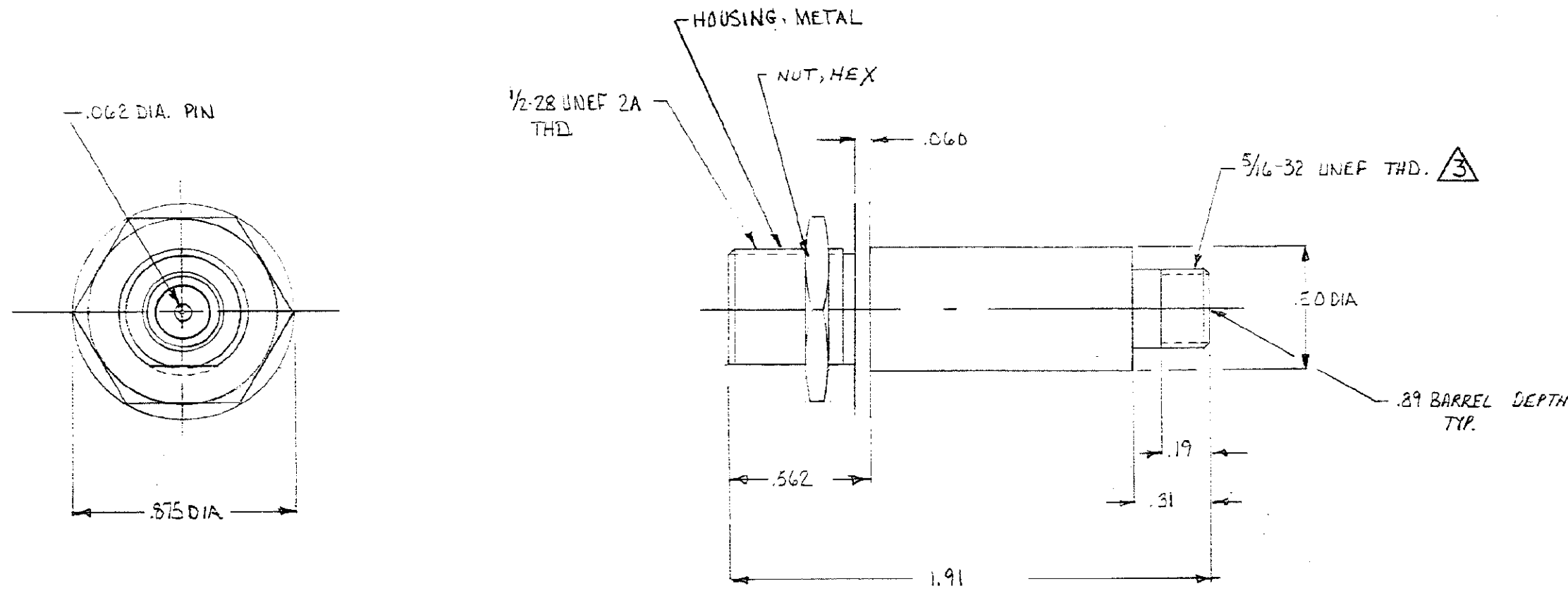


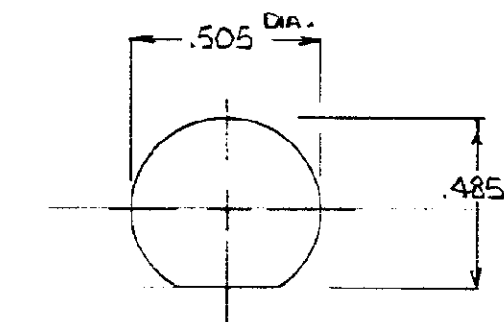
4  
DRAWING MADE IN THIRD ANGLE PROJECTION

© COPYRIGHT 1980 BY AMP INCORPORATED, HARRISBURG, PA. ALL INTERNATIONAL RIGHTS RESERVED. AMP INCORPORATED PRODUCTS COVERED BY U. S. AND FOREIGN PATENTS AND/OR PATENTS PENDING.

		REVISIONS				
P	F	ZONE	LTR	DESCRIPTION	DATE	APPROVED
			0	WAS 54-01565-1	2/21/87	SMK
			A	REV. PER ECN S-3960	9/29/87	RS



1. RECEPTACLE TO MATE WITH AMP LGH-1/2L LEAD ASSEMBLY, AVAILABLE SEPARATELY.
2. RECEPTACLE TO MATE WITH AMP LGH-VRL-1/2L LEAD ASSEMBLY, AVAILABLE SEPARATELY.
3. PER FEDERAL STANDARD H-28 3 WIRE METHOD: DIMENSION OVER WIRES TO BE: .307-.318.



RECOMMENDED PANEL CUTOUT

866857-1 AS SHOWN

				UNLESS OTHERWISE SPECIFIED DIMENSIONS ARE IN INCHES. TOLERANCES: .00 ± .03, .000 ± .015 ANGLES ±		CONTRACT NO		AMP INCORPORATED Elizabethtown, Pa.	
				MATERIAL		DR <i>3/9/87</i> 10/24/80		NAME	
				FINISH		CHK		VRL-1/2L RECEPTACLE, FEED-THRU SPLICE	
				NEXT ASSY		APPD <i>M. Jackson</i> 10/24/80		LGH	
				FINAL ASSY		DSGN APPD		SIZE CODE IDENT NO DRAWING NO	
				NEXT ASSY		OTHER APPD		C 00779 866857	
				USED ON				SCALE	
				APPLICATION				SHEET 1/1	

单击下面可查看定价，库存，交付和生命周期等信息

[>>TE Connectivity\(泰科\)](#)