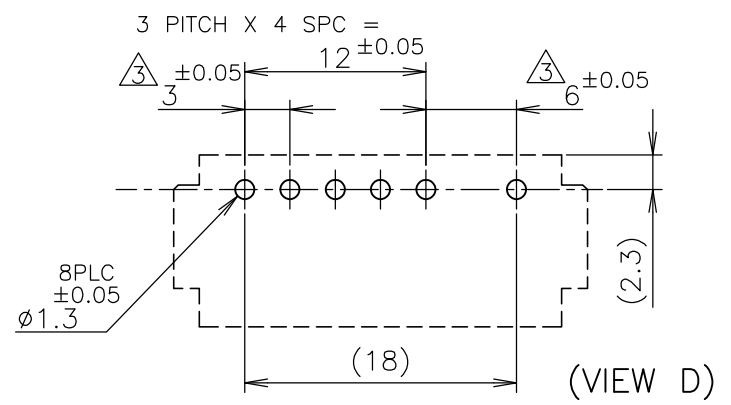
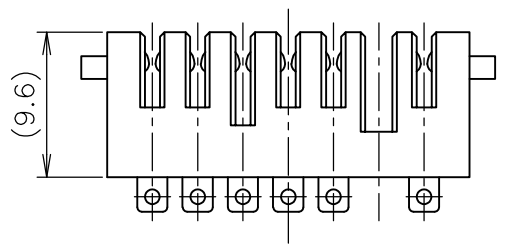
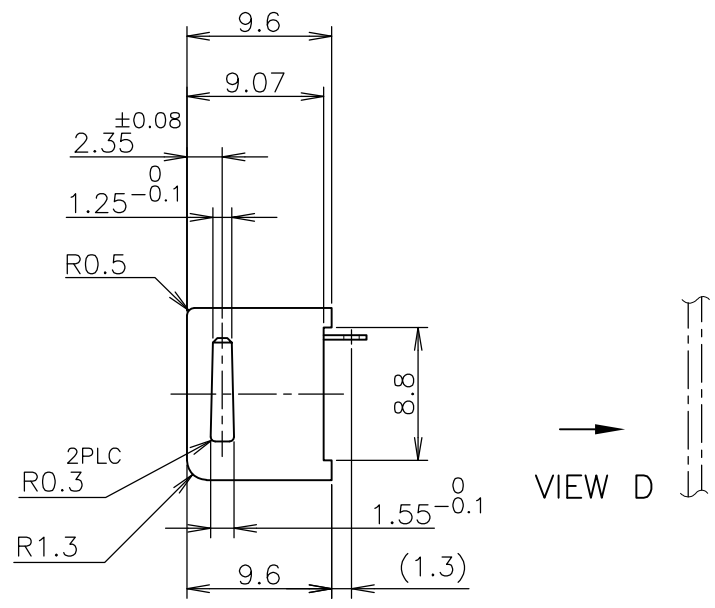
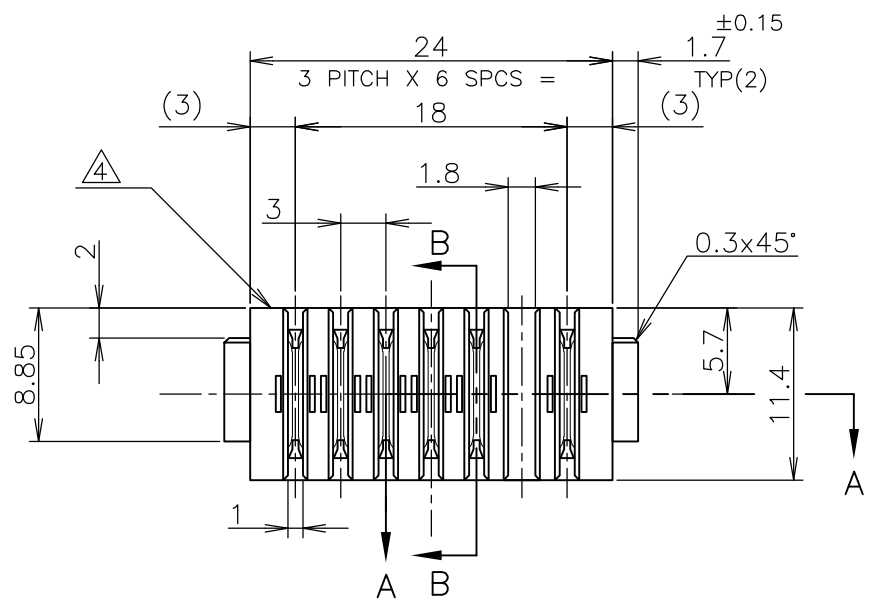
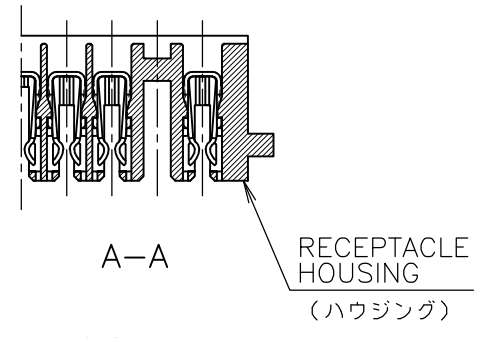
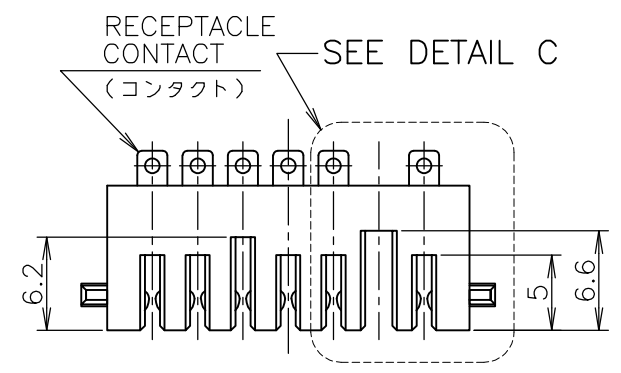


THIS DRAWING IS UNPUBLISHED. RELEASED FOR PUBLICATION  
 © COPYRIGHT BY TYCO ELECTRONICS CORPORATION. ALL RIGHTS RESERVED.

LOC	DIST	REVISIONS					
		P	LTR	DESCRIPTION	DATE	DWN	APVD
J		C	REVISED	ECR-08-020195	18NOV08	T.T	T.F



基盤穴参考寸法  
 REFERENCE P.C.BOARD HOLES LAYOUT  
 (P.C.BOARD THK 0.8~1.0)  
 適用型番 (APPLY P/N 5-353289-1)

GENERAL TOLERANCE  
 一般公差  
 10 ≥ : ±0.2  
 30 ≥ > 10: ±0.25  
 100 ≥ > 30: ±0.3  
 ANGLES: ±3°

- 1 MATERIAL  
 RECEPTACLE HOUSING: THERMOPLASTIC RESIN, UL94V-0, COLOR: BLACK  
 RECEPTACLE CONTACT: COPPER ALLOY
- 2 FINISH  
 RECEPTACLE CONTACT: NICKEL PL ALL OVER, TIN-LEAD PL AT SOLDER TAB.

- △3 TOLERANCE: NON CUMMULATIVE.
- △4 INDICATE DATE CODE

- 1 材料  
 リセプタクル ハウジング: 熱可塑性樹脂, UL94V-0, 色: 黒  
 リセプタクル コンタクト: 銅合金
- 2 仕上げ  
 リセプタクル コンタクト: 全面ニッケルめっき下地の  
 上にソルダータブ部, 半田めっき。

- △3 非累積公差
- △4 デートコード刻印

1-353289-1: 本図  
 AS SHOWN

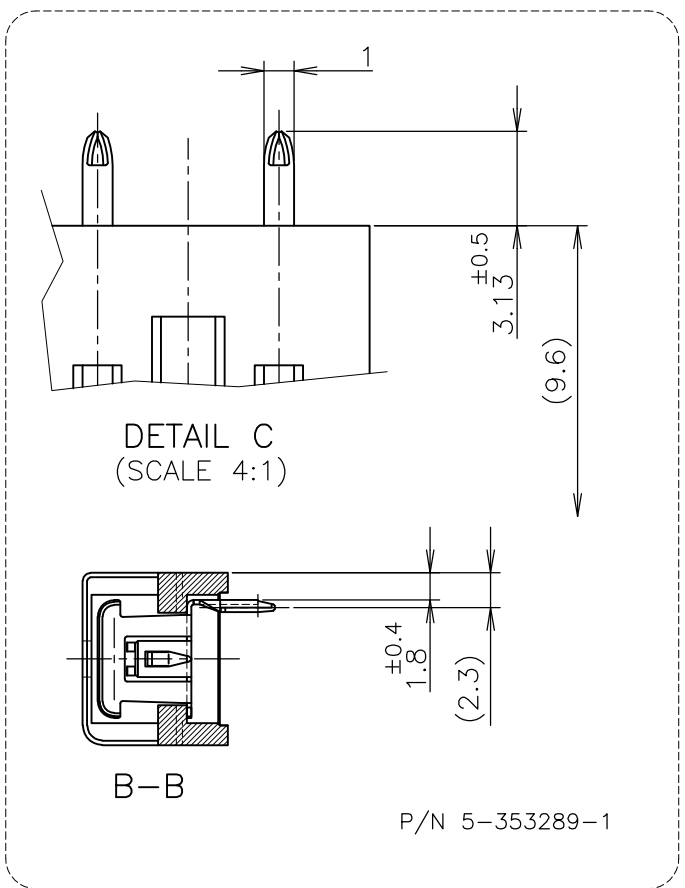
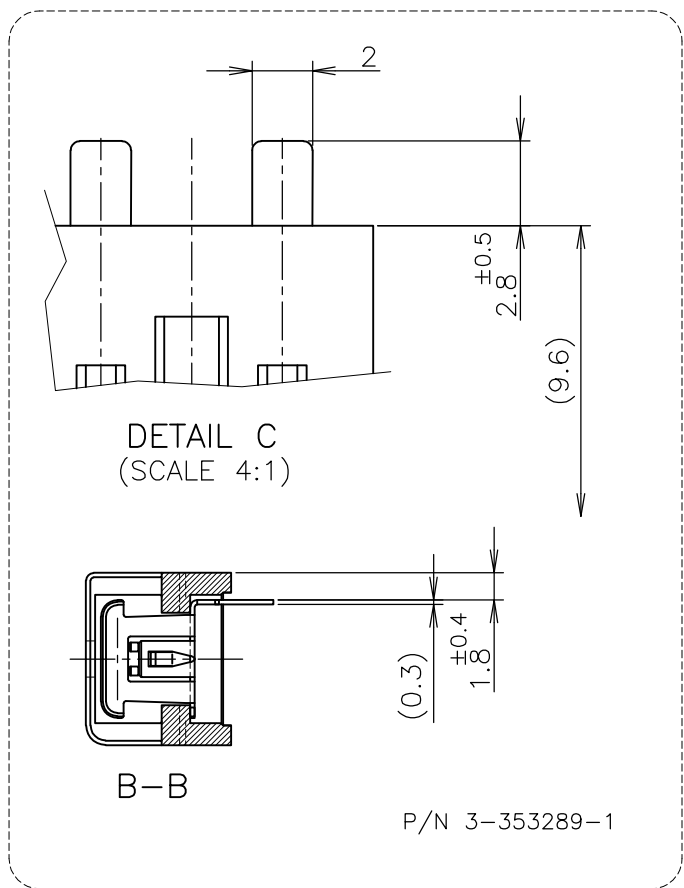
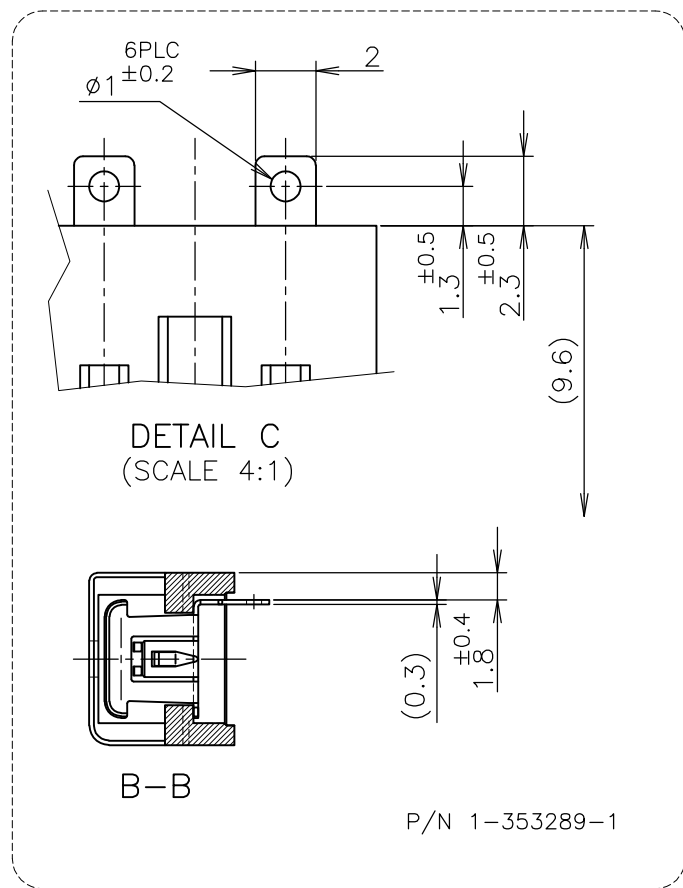
TYPE DIP (6P)	5-353289-1
TYPE SPOT (6P)	3-353289-1
TYPE WIRE (6P)	1-353289-1
REMARKS	P/NO.

THIS DRAWING IS A CONTROLLED DOCUMENT.		DWN S.ABE 08AUG96	Tyco Electronics Corporation Kawasaki, Japan	
DIMENSIONS: 単位: 耗 mm		CHK T.YAMADA 19AUG96		
TOLERANCES UNLESS OTHERWISE SPECIFIED: 一般公差		APVD T.YAMADA 19AUG96	NAME 名称 RECEPTACLE ASSEMBLY	
0 PLC ±		PRODUCT SPEC 製品規格		SIZE A3
1 PLC ±		APPLICATION SPEC 取付適用規格		
2 PLC ±		WEIGHT		CAGE CODE 00779
3 PLC ±		CUSTOMER DRAWING		DRAWING NO 番号 G-353289
4 PLC ±		SCALE 尺度 2:1		SHEET 1 OF 2
ANGLES ±		RESTRICTED TO		REV C
FINISH 仕上				

PROJ NO.695-026

THIS DRAWING IS UNPUBLISHED. RELEASED FOR PUBLICATION  
 © COPYRIGHT BY TYCO ELECTRONICS CORPORATION. ALL RIGHTS RESERVED.

LOC	DIST	REVISIONS					
J		P	LTR	DESCRIPTION	DATE	DWN	APVD
		-		SEE SHEET 1	-	-	-



THIS DRAWING IS A CONTROLLED DOCUMENT.		DWN	Tyco Electronics Corporation Kawasaki, Japan	
DIMENSIONS: 単位: 耗 mm		CHK	NAME 名称	
TOLERANCES UNLESS OTHERWISE SPECIFIED: 一般公差		APVD	RECEPTACLE ASSEMBLY 3mm PITCH BATTERY CONNECTOR	
0 PLC ± 1 PLC ± 2 PLC ± 3 PLC ± 4 PLC ± ANGLES ±		PRODUCT SPEC 製品規格	SIZE	CAGE CODE
MATERIAL 材料		APPLICATION SPEC 取付適用規格	A3	00779
FINISH 仕上		WEIGHT	DRAWING NO 番号	RESTRICTED TO
		CUSTOMER DRAWING	G-353289	
		SCALE 尺度	SHEET	REV
		2:1	2 OF 2	C

单击下面可查看定价，库存，交付和生命周期等信息

[>>TE Connectivity\(泰科\)](#)