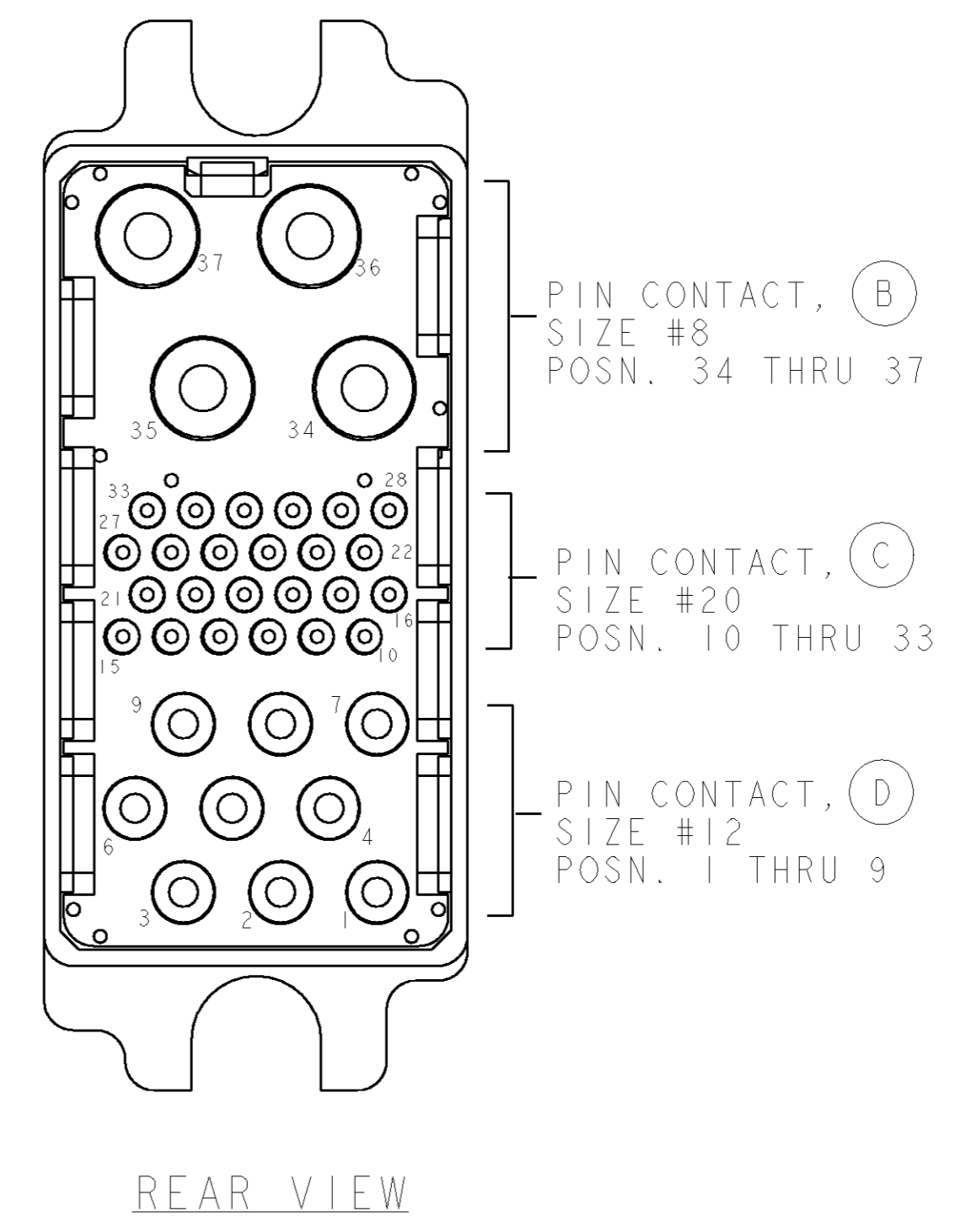
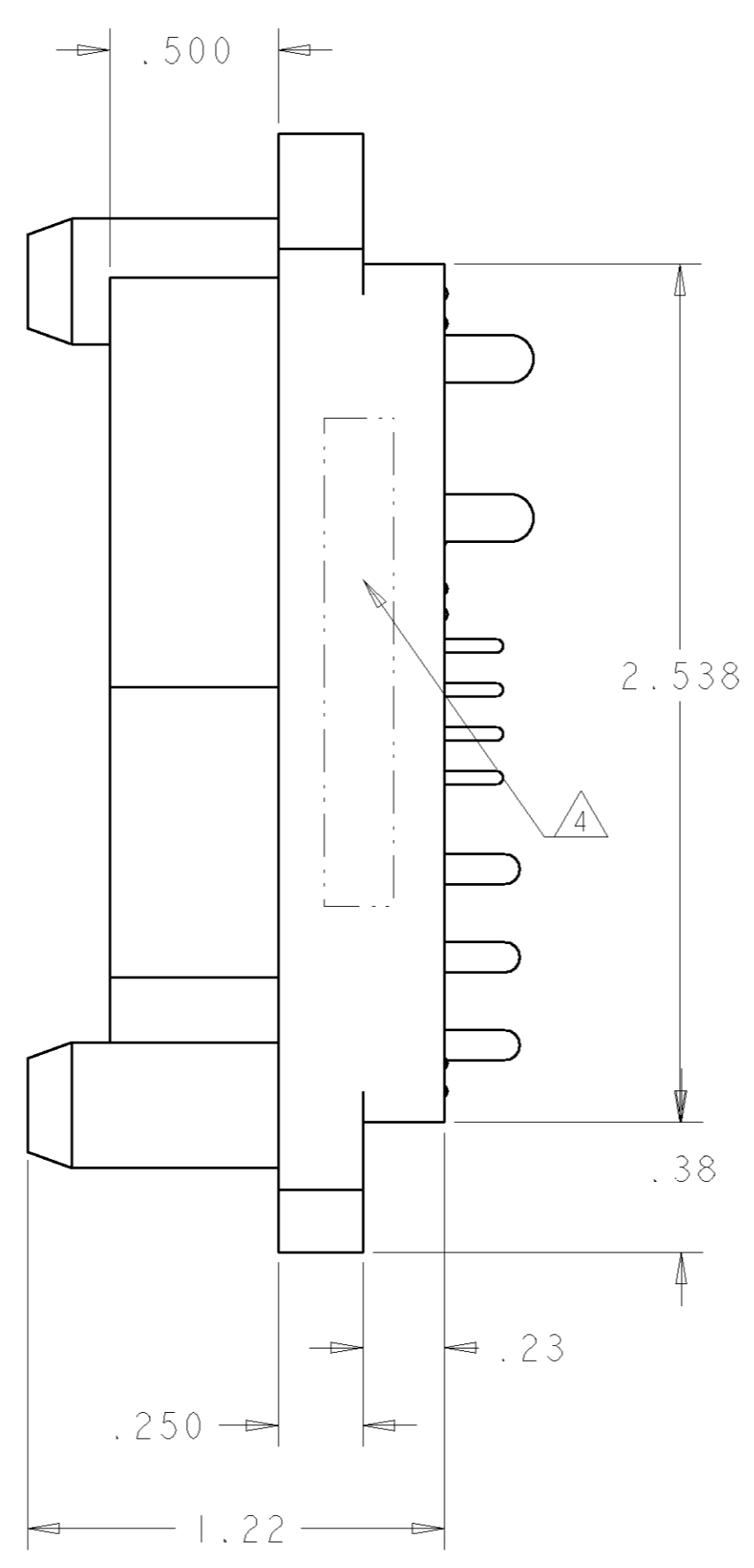
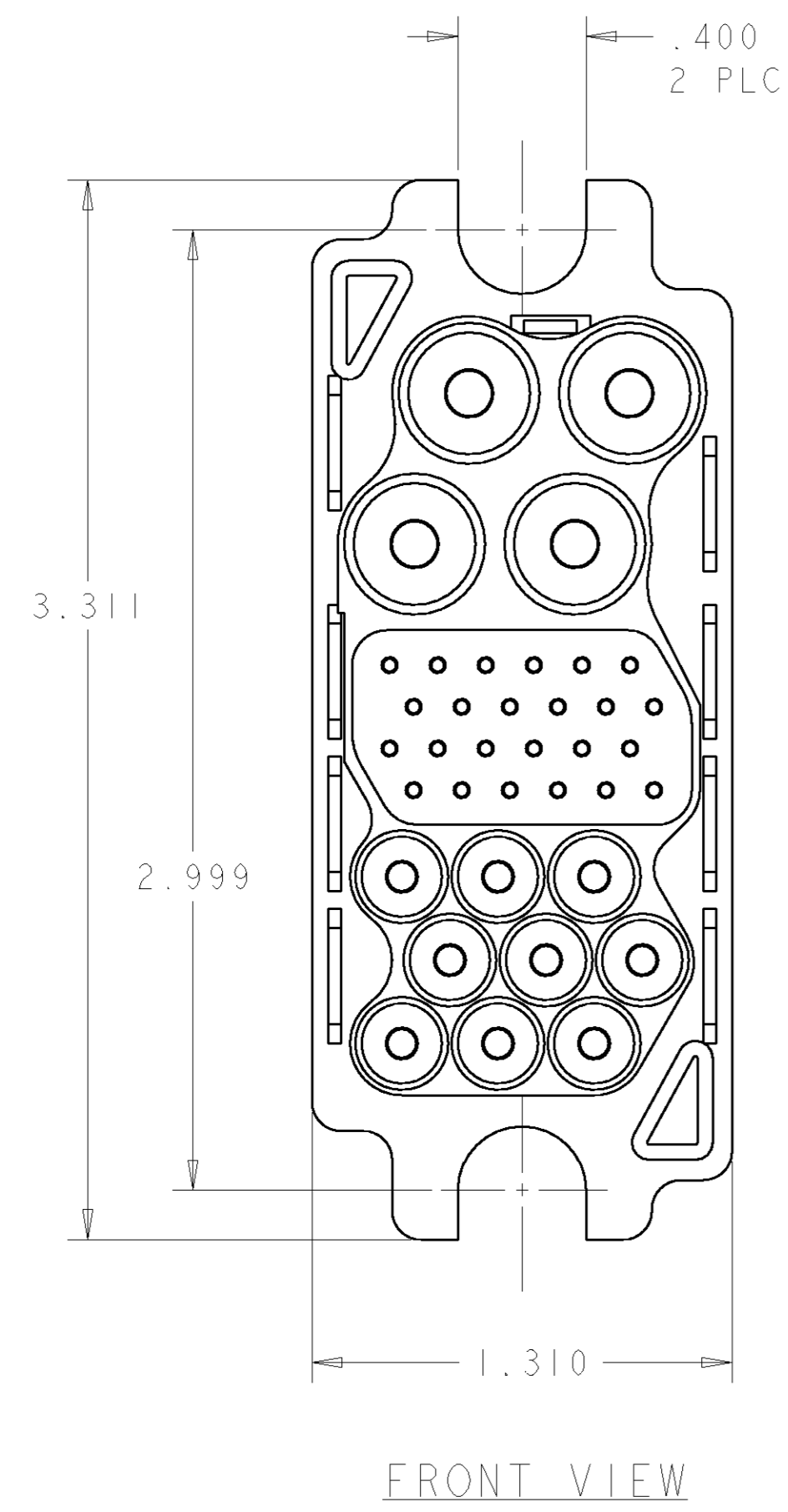


LOC	DIST	REVISIONS					
GP	00	P	LTR	DESCRIPTION	DATE	DWN	APVD
		A		RELEASED	13JUL2006	RG	DO
		B		REV PER ECO-07-011934	15MAY2007	JRP	PD



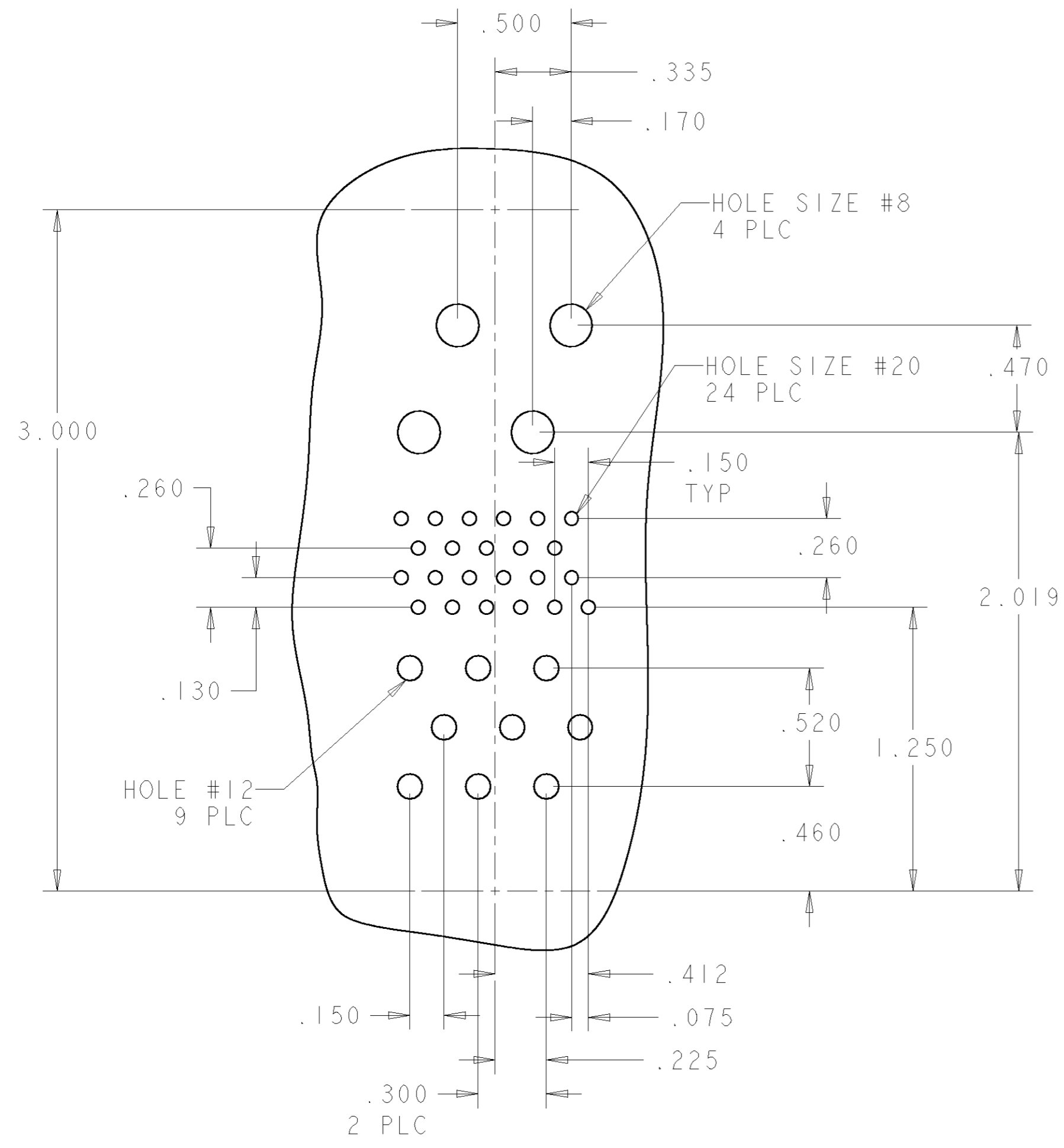
AS SHOWN	1926171-1
DESCRIPTION	PART NUMBER

<small>THIS DRAWING IS A CONTROLLED DOCUMENT FOR TYCO ELECTRONICS CORPORATION. IT IS SUBJECT TO CHANGE AND THE CONTROLLING ENGINEERING ORGANIZATION SHOULD BE CONTACTED FOR THE LATEST REVISION.</small>		DWN R. GRZYBOWSKI 13JULY06	Tyco Electronics Harrisburg, PA 17105-3608
DIMENSIONS: INCHES		CHK D. ORRIS 13JULY06	
TOLERANCES UNLESS OTHERWISE SPECIFIED: 0 PLC ± 1 PLC ± 2 PLC ±.02 3 PLC ±.010 4 PLC ±0.0005 ANGLES ±.5		APVD S. FLECKINGER 13JULY06	NAME CONNECTOR, PIN PCB TAIL 75 AMP MIDDLE DRAWER
MATERIAL -		PRODUCT SPEC -	SIZE A200779
FINISH -		APPLICATION SPEC -	DRAWING NO G-1926171
CUSTOMER DRAWING		WEIGHT -	RESTRICTED TO -
		SCALE 4:1	SHEET 1 OF 2 REV B

ELCON 75A MIDDLE DRAWER

THIS DRAWING IS UNPUBLISHED. RELEASED FOR PUBLICATION 20
 © COPYRIGHT 20 BY TYCO ELECTRONICS CORPORATION. ALL RIGHTS RESERVED.

LOC	DIST	REVISIONS					
GP	00	P	LTR	DESCRIPTION	DATE	DWN	APVD
		-		SEE SHEET 1			



PRINTED CIRCUIT BOARD LAYOUT
 VIEW FROM CONNECTOR MOUNTING SIDE

HOLE SIZE #8
 FINISHED HOLE: $\phi .152 \pm .003$
 DRILLED HOLE: $\phi .1540 \pm .0005$
 COPPER PLATE: .0010 MIN
 TIN PLATE: .0002 MIN THK.
 HOLE SIZE #12
 FINISHED HOLE: $\phi .104 \pm .003$
 DRILLED HOLE: $\phi .1065 \pm .0005$
 COPPER PLATE: .0010 MIN
 TIN PLATE: .0002 MIN THK.
 HOLE SIZE #20
 FINISHED HOLE: $\phi .047 \pm .003$
 DRILLED HOLE: $\phi .0453 \pm .0005$
 COPPER PLATE: .0010 MIN
 TIN PLATE: .0002 MIN THK.

- PART NUMBER CHANGES AND OR DESIGN CHANGES AFFECTING THE INTERCHANGEABILITY REQUIRE PRIOR TYCO APPROVAL AND AUTHORIZATION BY REVISION TO THIS DRAWING.
- MATERIAL:
 INSULATOR: THERMOPLASTIC, GLASS REINFORCED, UL 94V-0
 FLAMMABILITY RATED, COLOR: BLACK
 CONTACT: BRASS ROD ALLOY
 RETENTION CLIP: COPPER ALLOY
- FINISH:
 CONTACTS SIZE #8 : .000200 MIN THK. SILVER OVER
 CONTACTS SIZE #12 : .000200 MIN THK. SILVER OVER
 CONTACTS SIZE #20 : .000030 MIN GOLD OVER
 .000040 MIN NICKEL

△ ITEMS PROVIDED TO THIS SPECIFICATION TO BE PERMANENTLY IDENTIFIED PER THE FOLLOWING IDENTIFIER:

YEAR WEEK

TYCO PART NUMBER DATE CODE (e.g. 0216)

XXXXXX-X XXXX

- △ PCB TAIL CONTACTS (ITEMS B THRU D) ARE INSERTABLE/ NON-REMOVABLE LOCATED AS SHOWN:
 SIZE #8 - POSN 34 THRU 37
 SIZE #12 - POSN 1 THRU 9
 SIZE #20 - POSN 10 THRU 33

△ 5	D	9	1766245-1	CONTACT, PIN, SIZE #12, PCB TAIL, STD
△ 5	C	24	1650283-1	CONTACT, PIN, SIZE #20, PCB TAIL, STD
△ 5	B	4	1766262-1	CONTACT, PIN, SIZE #8, PCB TAIL, STD
	A	1	1648163-2	HOUSING, PIN, FLUSH MOUNT
ITEM	-1		PART NUMBER	DESCRIPTION

<small>THIS DRAWING IS A CONTROLLED DOCUMENT FOR TYCO ELECTRONICS CORPORATION IT IS SUBJECT TO CHANGE AND THE CONTROLLING ENGINEERING ORGANIZATION SHOULD BE CONTACTED FOR THE LATEST REVISION.</small>		DWN R. GRZYBOWSKI 13 JULY 06 CHK D. ORRIS 13 JULY 06 APVD S. FLICKINGER 13 JULY 06	tyco Tyco Electronics Harrisburg, PA 17105-3608
DIMENSIONS: INCHES 	TOLERANCES UNLESS OTHERWISE SPECIFIED: 0 PLC ± 1 PLC ± 2 PLC ±.02 3 PLC ±.010 4 PLC ±0.0005 ANGLES ±.5	NAME: CONNECTOR, PIN PCB TAIL 75 AMP MIDDLE DRAWER PRODUCT SPEC: APPLICATION SPEC:	SIZE: A2 CAGE CODE: 00779 DRAWING NO: 1926171 RESTRICTED TO:
MATERIAL	FINISH	WEIGHT	SCALE: 4:1 SHEET 2 OF 2 REV B

单击下面可查看定价，库存，交付和生命周期等信息

[>>TE Connectivity\(泰科\)](#)