

THIS DRAWING IS UNPUBLISHED.

RELEASED FOR PUBLICATION

ALL RIGHTS RESERVED.

© COPYRIGHT - By -

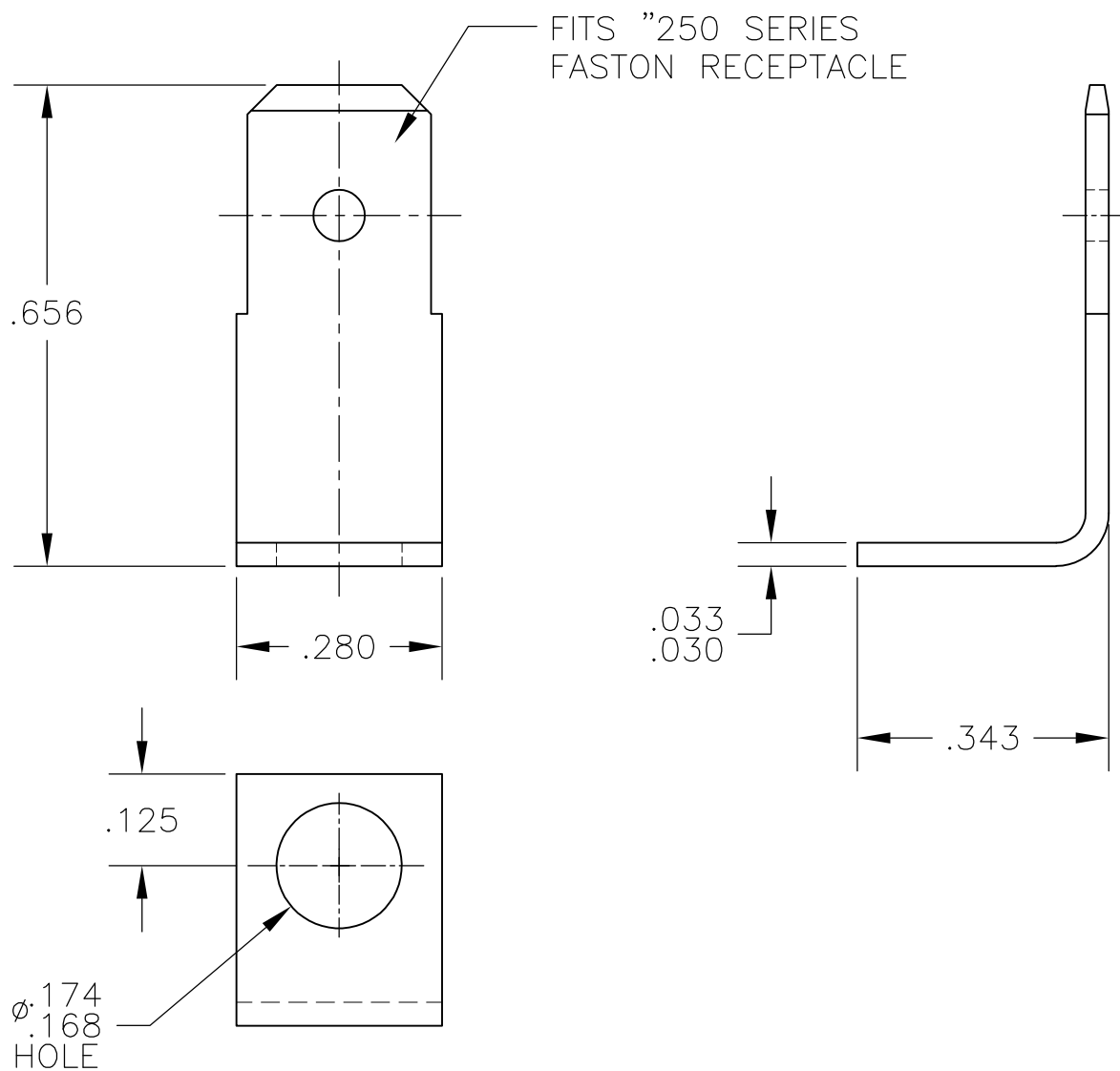
LOC  
AF

DIST  
50

REVISIONS

P	LTR	DESCRIPTION	DATE	DWN	APVD
	J	REVISED PER ECR-13-011489	04DEC2013	KH	PD

1 SUPPLIED IN LOOSE PIECE.



OBSOLETE		.032 STEEL	62314-3
	TIN	BRASS	62314-2
OBSOLETE	NICKEL	.032 STEEL	62314-1
	FINISH	MATERIAL	PART NO

THIS DRAWING IS A CONTROLLED DOCUMENT.		DWN JR RUTH 10/9/91	<b>STE</b> TE Connectivity														
DIMENSIONS: INCHES		CHK MS FEHER 10/9/91				NAME											
TOLERANCES UNLESS OTHERWISE SPECIFIED:		APVD R BEAVER 10/9/91	.250 SERIES FASTON TAB														
<table border="1"> <tr><td>0 PLC</td><td>± -</td></tr> <tr><td>1 PLC</td><td>± -</td></tr> <tr><td>2 PLC</td><td>± .015</td></tr> <tr><td>3 PLC</td><td>± -</td></tr> <tr><td>4 PLC</td><td>± -</td></tr> <tr><td>ANGLES</td><td>± 1°</td></tr> </table>		0 PLC	± -	1 PLC	± -	2 PLC	± .015	3 PLC	± -	4 PLC	± -	ANGLES	± 1°	PRODUCT SPEC -	RESTRICTED TO		
0 PLC	± -																
1 PLC	± -																
2 PLC	± .015																
3 PLC	± -																
4 PLC	± -																
ANGLES	± 1°																
MATERIAL SEE TABLE		APPLICATION SPEC -	SIZE A3	CAGE CODE 00779	DRAWING NO C-62314												
FINISH SEE TABLE		WEIGHT -	CUSTOMER DRAWING														
		SCALE 5:1	SHEET 1 OF 1	REV J													

单击下面可查看定价，库存，交付和生命周期等信息

[>>TE Connectivity\(泰科\)](#)