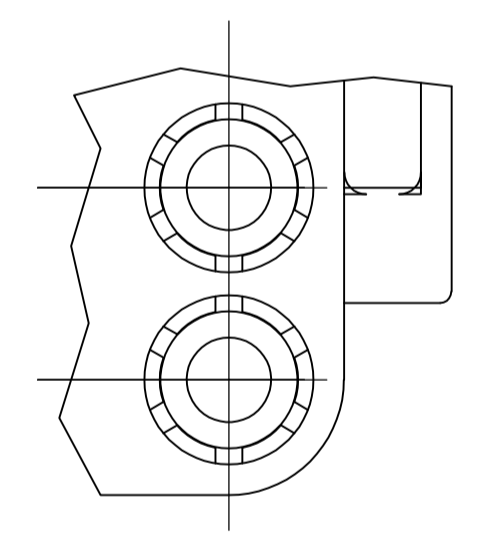
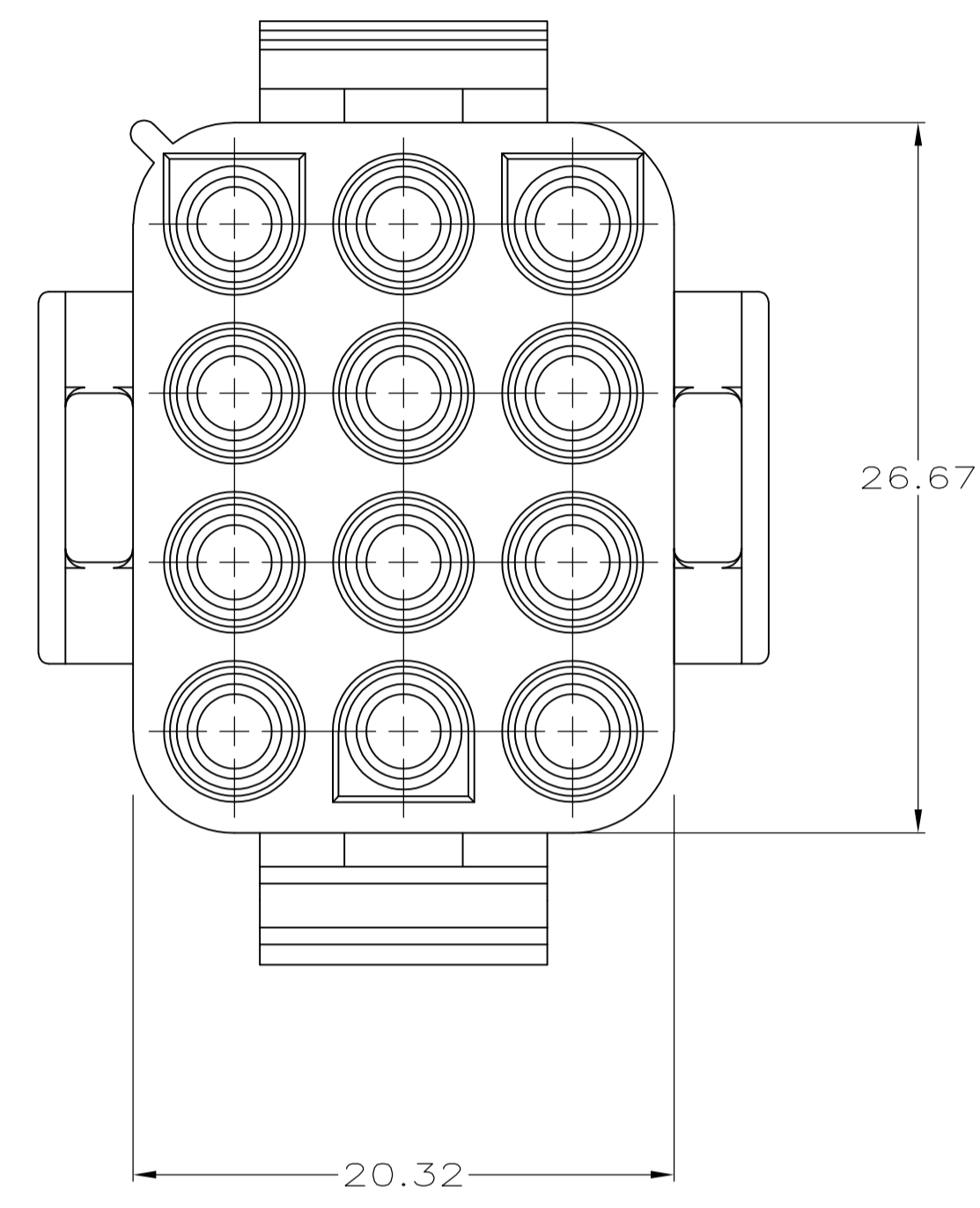
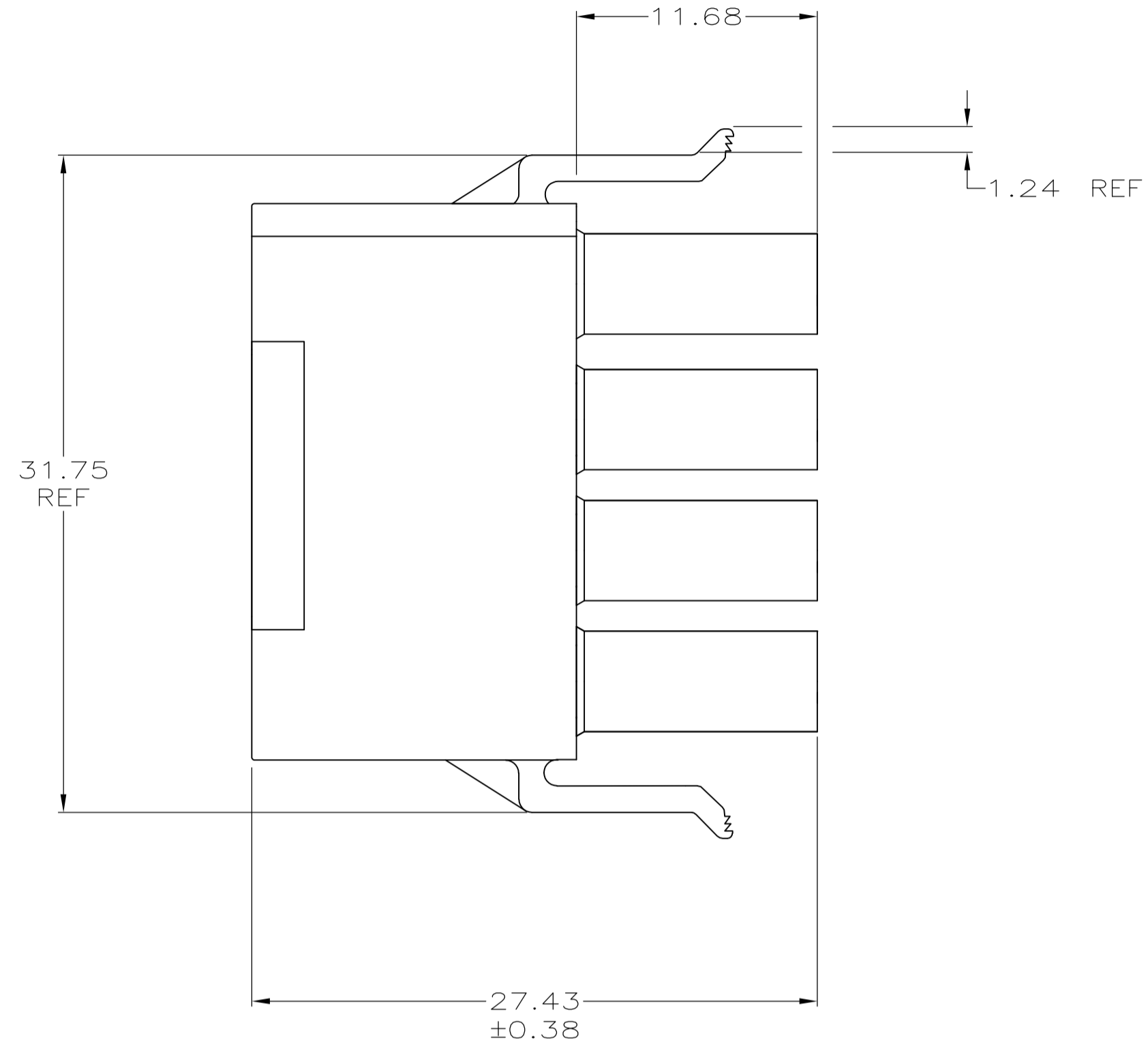
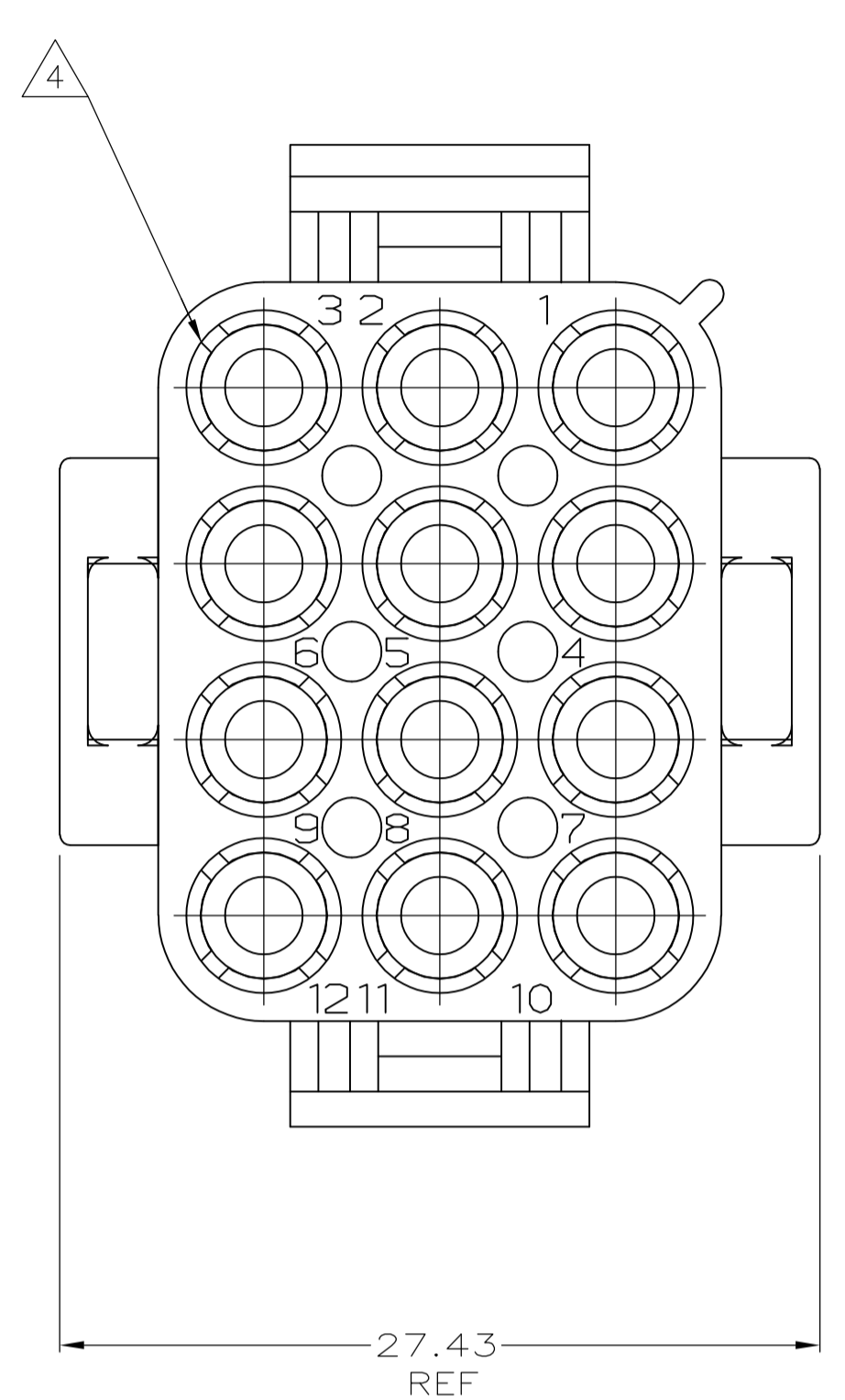
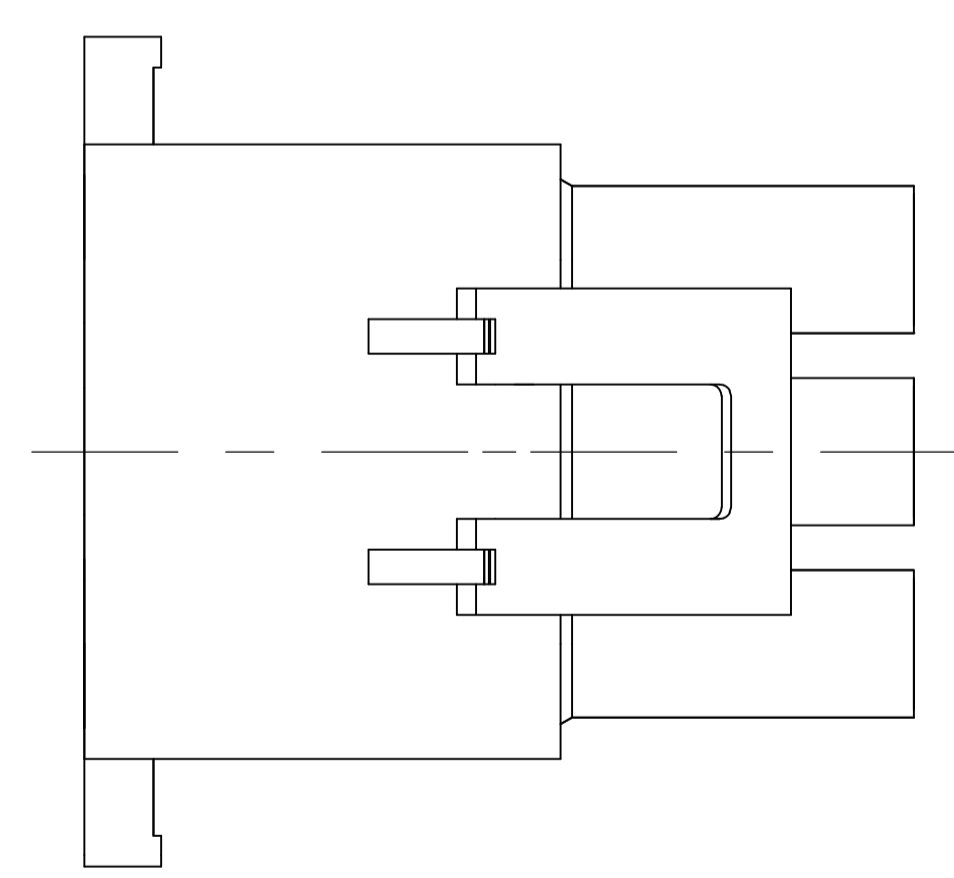


REVISIONS				
REV	DATE	DESCRIPTION	BY	APPV
C1	22AUG2017	REV PER ECO-17-011927	RS	KR



OPTIONAL CONSTRUCTION $\triangle 4$



- 1 MATES WITH APPROPRIATE UNIVERSAL MATE-N-LOK™ CAP OR HEADER.
- 2 SMALL NICKS ARE PERMITTED ON THE CIRCUIT TOWERS WHICH COULD INCREASE THE INITIAL HOUSING MATING FORCE BY UP TO 4.4 NEWTONS [1.0 LBS]. NO INDIVIDUAL NICKED TOWER SHALL INCREASE THIS FORCE BY OVER 2.2 NEWTONS [.5 LBS].
- 3 DIMENSIONS SHOWN REPRESENT PRODUCT IN DRY, AS MOLDED CONDITION ADDITIONAL 2% GROWTH DUE TO SUBSEQUENT MOISTURE ABSORPTION MAY OCCUR AND SHOULD BE ACCOUNTED FOR.
- $\triangle 4$ FOUR RIBS EQUALLY SPACED, NO SPECIFIC ORIENTATION, OR SIX RIBS EQUALLY SPACED, NO SPECIFIC ORIENTATION.
- $\triangle 5$ FLAMMABILITY V2 FOR THICKNESS 0.38mm, 1.5mm, and 3.0mm PER IEC 60695-11-10.
- $\triangle 6$ GLOW-WIRE FLAMMABILITY (GWFI) 800°C FOR THICKNESS 0.38mm AND 0.75mm PER IEC 60695-2-12.
- $\triangle 7$ GLOW-WIRE FLAMMABILITY (GWFI) 960°C FOR THICKNESS 1.5mm AND 3.0mm PER IEC 60695-2-12.
- $\triangle 8$ GLOW-WIRE IGNITION (GWIT) 825°C FOR THICKNESS 0.38mm, 0.75mm, 1.5mm AND 3.0mm PER IEC 60695-2-13.

31.75	1.250
27.43	1.080
26.67	1.050
20.32	.800
11.68	.460
1.24	.049
0.38	.015
0.13	.005
MM	IN
CONVERSION TABLE	

$\triangle 5$	NYLON UL94V-2 CW NATURAL	794742-2
$\triangle 6$	NYLON UL94V-0 NATURAL	794742-1
$\triangle 7$	MATERIAL	PART NUMBER

THIS DRAWING IS A CONTROLLED DOCUMENT.

DIMENSIONS: mm	TOLERANCES UNLESS OTHERWISE SPECIFIED:	0. PLC ± -	1. PLC ± -	2. PLC ± 0.13	3. PLC ± -	4. PLC ± -	ANGLES ± 0° 30'	FINISH -
MATERIAL SEE TABLE		WEIGHT 0.000000	SIZE A1	CAGE CODE 00779	DRAWING NO. 794742	RESTRICTED TO -	CUSTOMER DRAWING	

DIN K. WHITAKER 23-JAN-2001
 CHK S. RIDGILL 23-JAN-2001
 APVD S. RIDGILL 23-JAN-2001
 NAME PLUG, SHORT LATCH, 12 CIRCUIT, UNIVERSAL MATE-N-LOK™
 PRODUCT SPEC -
 APPLICATION SPEC -
 SCALE 4:1 SHEET 1 OF 1 REV C1

单击下面可查看定价，库存，交付和生命周期等信息

[>>TE Connectivity\(泰科\)](#)