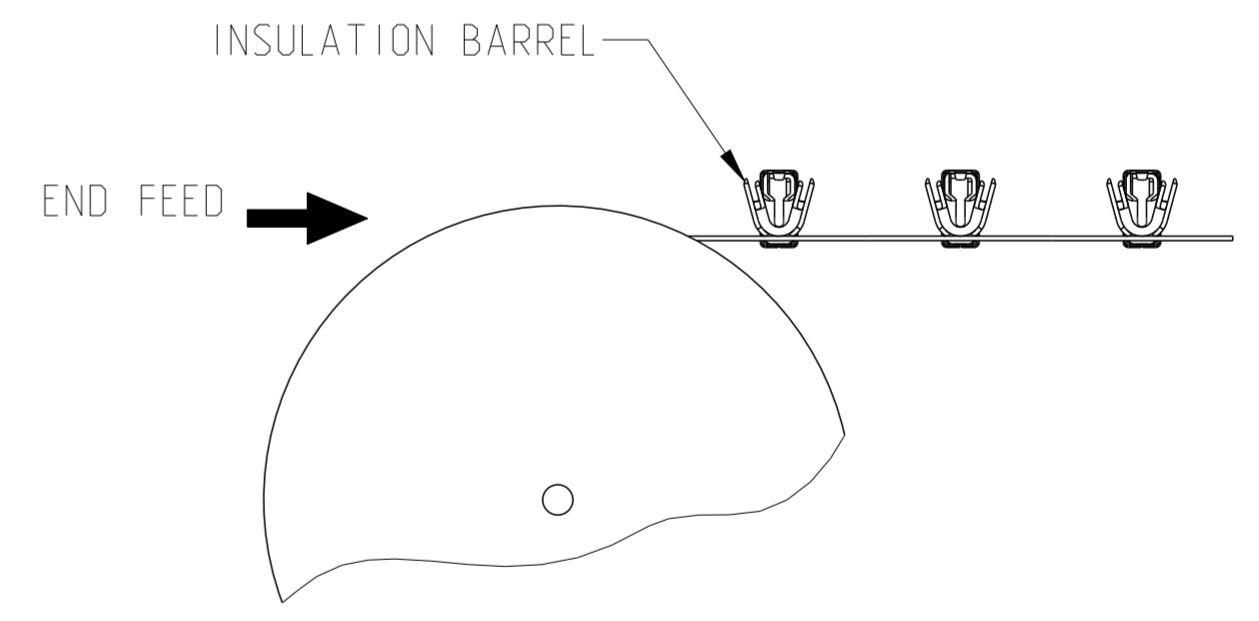
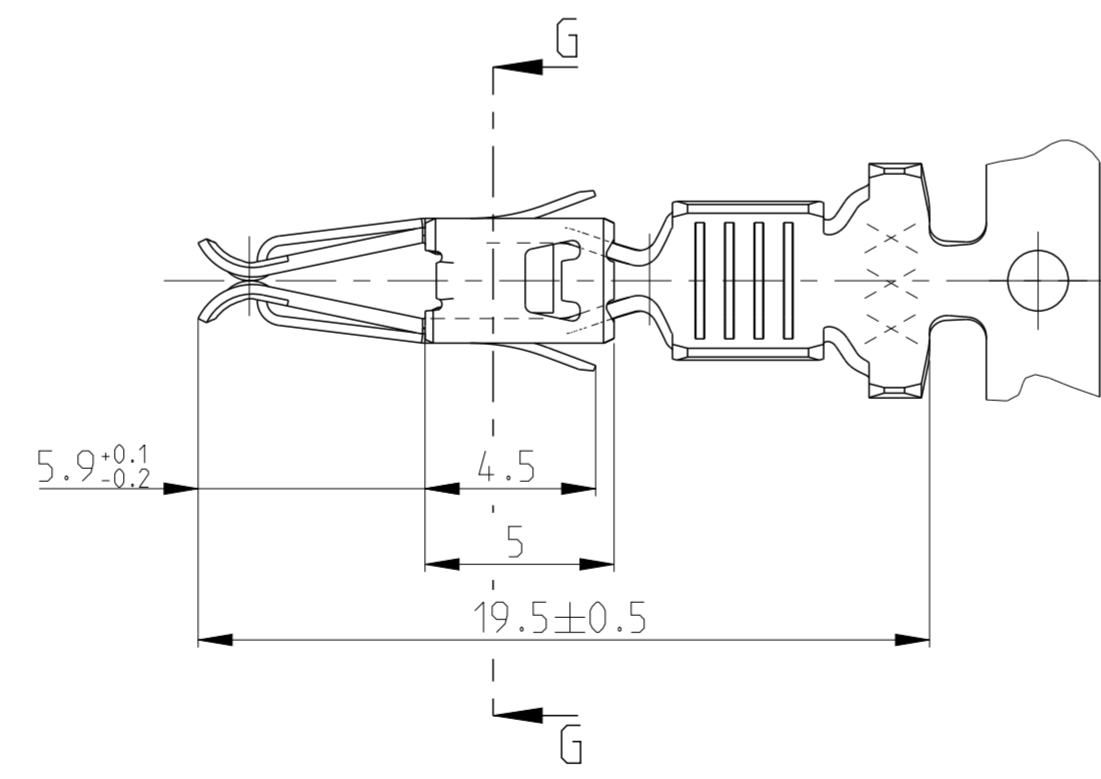
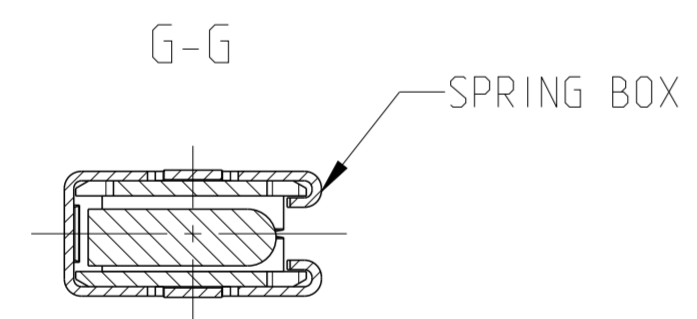
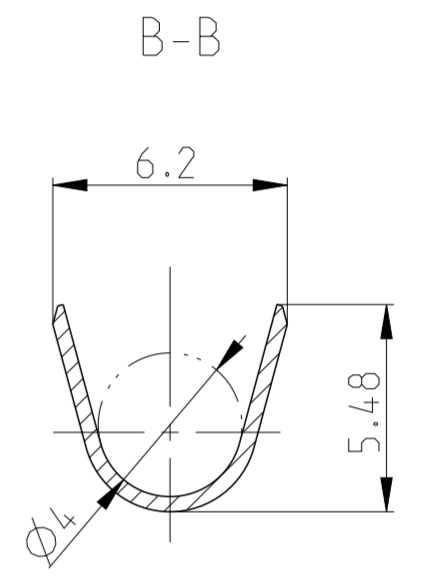
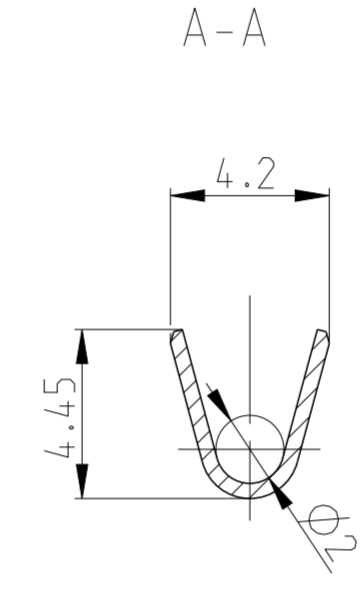
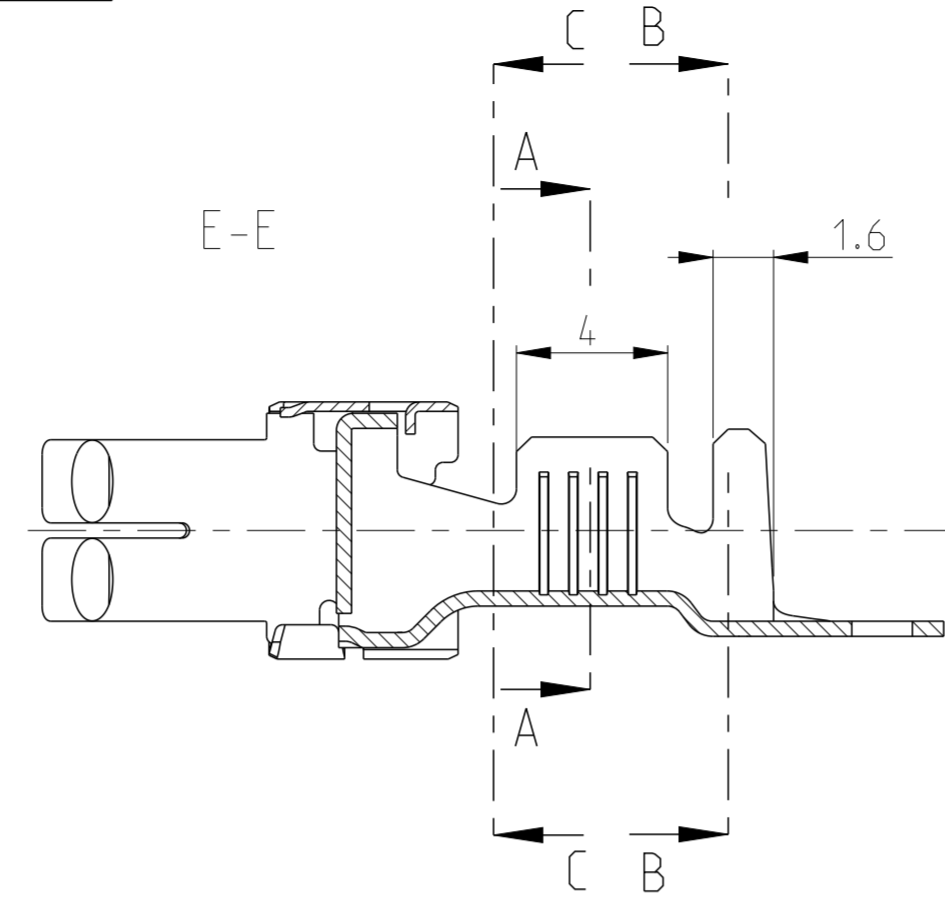
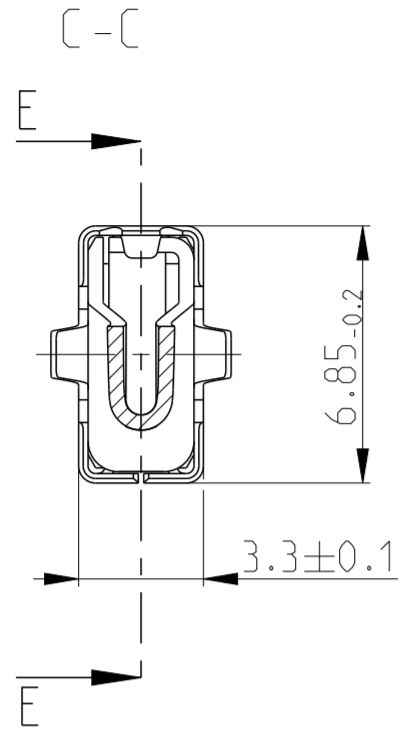


THIS DRAWING IS UNPUBLISHED. RELEASED FOR PUBLICATION
 © COPYRIGHT copyright_date BY - ALL RIGHTS RESERVED.

REVISIONS				
P	LTR	DESCRIPTION	DATE	APVD
A		REDRAWN IN CREO	20DEC2015	SCK JP
A1		REDRAWN WITH NEW 3D MODELS	11APR2019	JPN JCB



PRE-TIN 0.8 A 3.3µm	CuSn4	144617-1
FINISH	MATERIAL	PART NO

THIS DRAWING IS A CONTROLLED DOCUMENT.		DWN 03OCT2000 Michel Polifonte	TE Connectivity	
DIMENSIONS: mm		CHK -		
TOLERANCES UNLESS OTHERWISE SPECIFIED:		APVD -	NAME STANDARD POWER TIMER WITH BARRIER	
0 PLC ±		PRODUCT SPEC 108-15122	SIZE A2	
1 PLC ± ±0.2		APPLICATION SPEC 114-15056	CAGE CODE 00779	DRAWING NO C-144617
2 PLC ±		WEIGHT -	RESTRICTED TO	
3 PLC ±		CUSTOMER DRAWING	SCALE 5:1	SHEET 1 OF 1
4 PLC ±				REV A1
ANGLES ±				
FINISH -				
SEE TABLE				

单击下面可查看定价，库存，交付和生命周期等信息

[>>TE Connectivity\(泰科\)](#)