

4

3

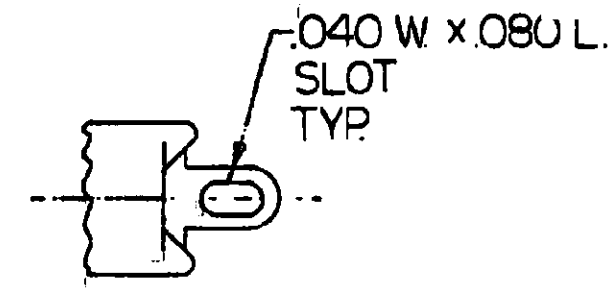
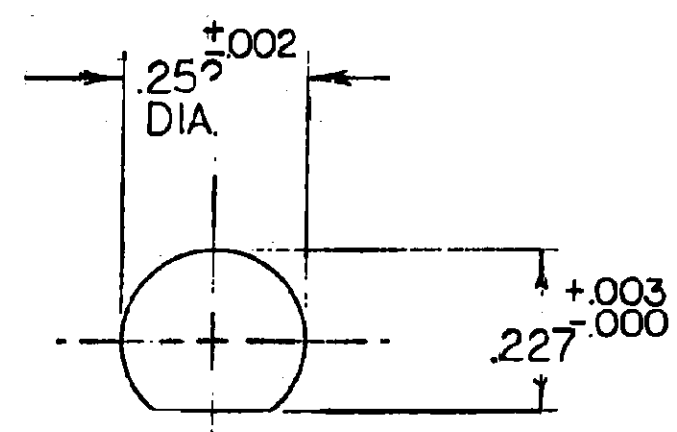
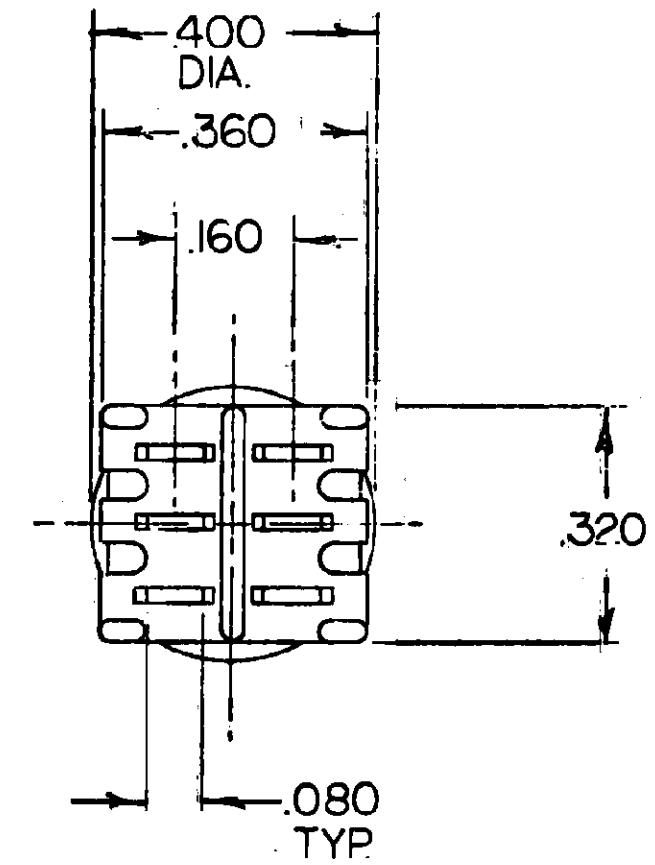
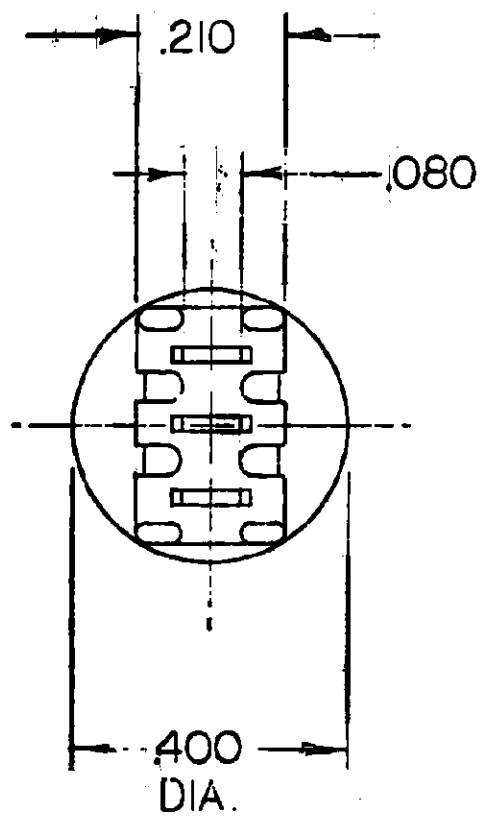
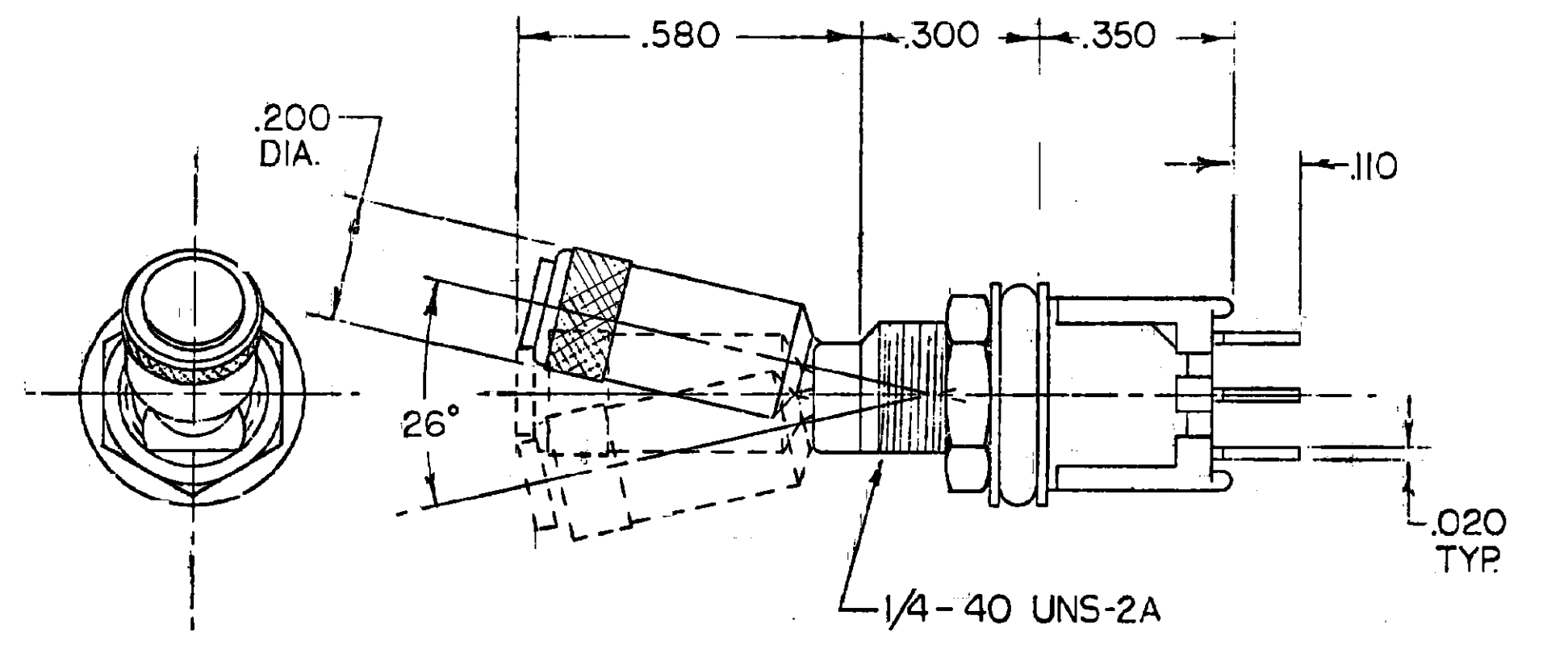
2

1

SPECIFICATIONS:

CONTACT RATING: 3A @ 125 VAC OR 28 VDC (RESISTIVE)
 INITIAL CONTACT RESISTANCE: 20 MILLIOHMS MAXIMUM
 INSULATION RESISTANCE: 1000 MEGOHMS MINIMUM @ 500 VDC.
 DIELECTRIC STRENGTH: 1000 VOLTS RMS AT SEA LEVEL
 LIFE EXPECTANCY: 10,000 CYCLES AT FULL RATED LOAD
 CONTACTS: SOLID SILVER
 SEAL-TOGGLE: PER MIL-S-83731A
 STATIC: PARAGRAPH 4.8.20
 DYNAMIC: PARAGRAPH 4.8.20

REVISIONS			
REV	DESCRIPTION	DATE	APPROVED
D	0G3C-0194-05	27MAR07	MZ



TTE23P-8T 1/4	2 TO 1 5 TO 4	OFF	2 TO 3 5 TO 6
TTF23N-8T 1/4	2 TO 1 5 TO 4	NONE	2 TO 3 5 TO 6
TTF13F-8T 1/4	2 TO 1	OFF	2 TO 3
TTF13D-8T 1/4	2 TO 1	NONE	2 TO 3
SWITCH No.	FLAT	FLAT	FLAT

TERMINALS CONNECTED WHEN TOGGLE IS IN POSITION SHWN
 NOTE: TERMINAL DESIGNATION NUMBERS ARE FOR REFERENCE ONLY AND DO NOT APPEAR ON SWITCHES NO'S 4 5 6 FOR C.P. VERSION ONLY.

AUGAT D/N 40210

INSPECT PER ALCO QAS 100	
SYMBOL	A.Q.L.
□	CRITICAL
△	MAJOR
NONE	MINOR

UNLESS OTHERWISE SPECIFIED		SIGNATURES	DATE
DIMENSIONS ARE IN INCHES		DRAWN	
TOLERANCES ON:		CHECKED	
3 PL. DECIMALS ± .010		ENGRG	
ANGLES ±		ISSUED	
FRACTIONS			

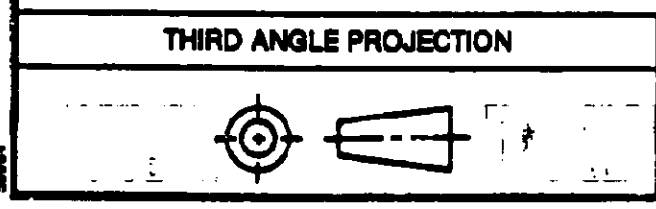
tylco
Electronics

CUSTOMER DRAWING - TOGGLE SWITCH

SEALED SP & DP
 TTE13(*)-8T 1/4

SIZE: SC. NO. DWG. NO. 1437563-6 REV. D

SCALE 4/1 SHEET OF 1



DISTRIBUTION									
1	2	3	4	5	6	7	8	9	10

4

3

2

1

单击下面可查看定价，库存，交付和生命周期等信息

[>>TE Connectivity\(泰科\)](#)