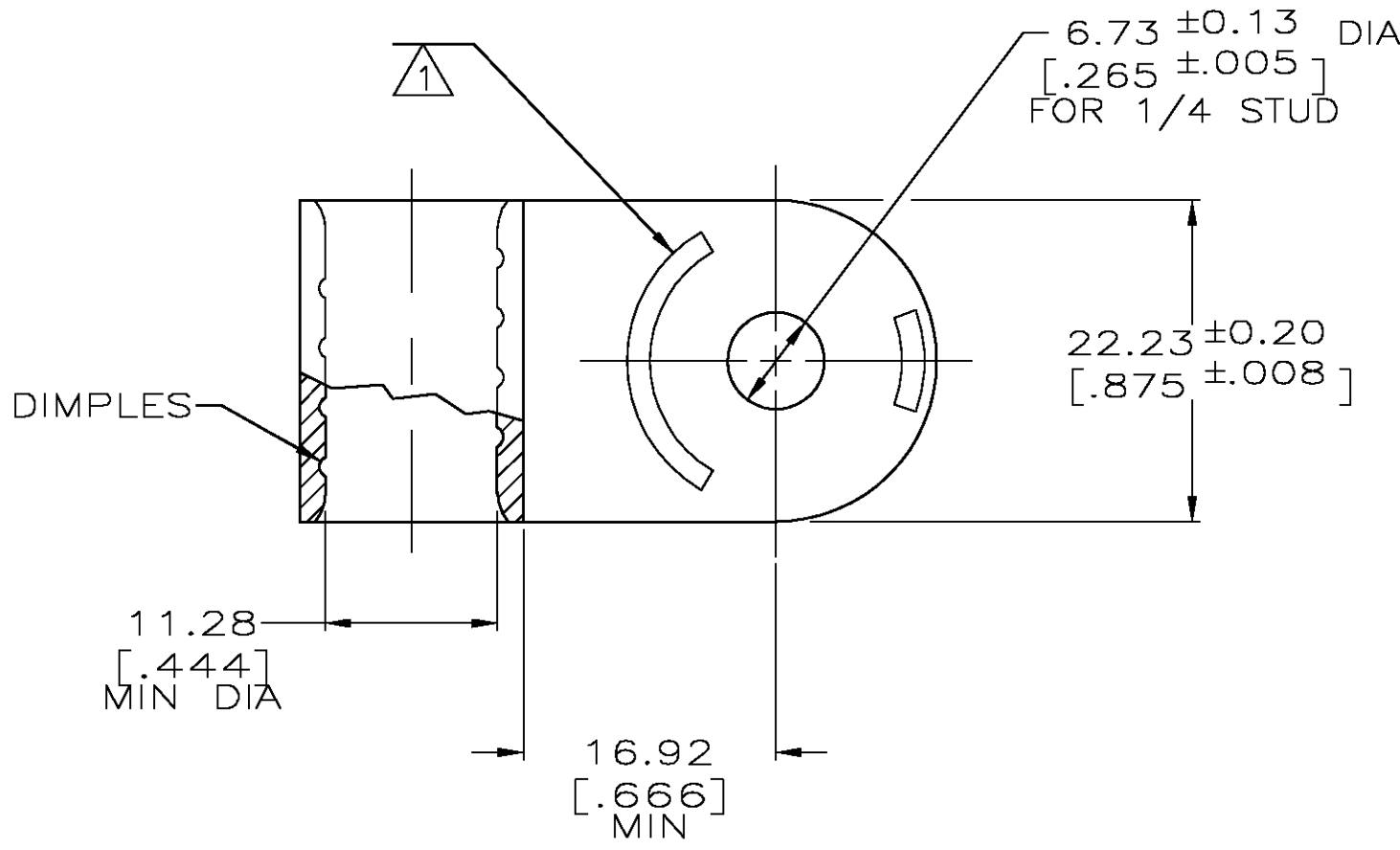


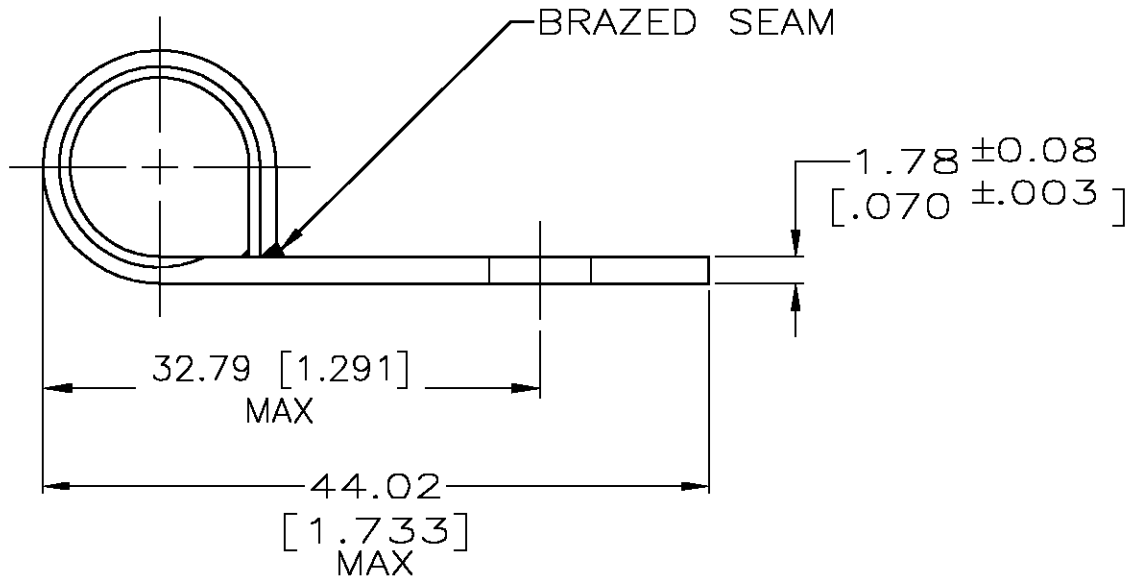
THIS DRAWING IS UNPUBLISHED. RELEASED FOR PUBLICATION
 © COPYRIGHT BY TYCO ELECTRONICS CORPORATION. ALL RIGHTS RESERVED.

LOC	DIST	REVISIONS					
		P	LTR	DESCRIPTION	DATE	DWN	APVD
G	14		E	REVISED PER 0G3A-0799-03	17DEC03	JR	MJS



AMP WIRE RANGE	Listed FILE E13288	LR7189 Certified
1/0 AWG SOLID OR STRANDED	1/0 AWG STRANDED	1/0 AWG SOLID OR STRANDED

- ① STAMP AMP 1/0* 100 APPROX AS SHOWN
- ② COPPER PER ASTM B-152, ANNEALED
- ③ 0.00254 [.000100] MIN TIN PER ASTM B-545



322215
AMP
PART NUMBER

**AMP INCORPORATED
CUSTOMER SERVICE SYSTEMS**

FOR ADDITIONAL PRODUCT INFORMATION OR COPIES OF DRAWINGS AND TECHNICAL DOCUMENTS	PRODUCT INFORMATION CENTER 1-800-522-6752	RECOMMENDED OPERATING TEMPERATURE: 170° C MAX
FOR APPLICATION TOOLING INFORMATION	TOOLING ASSISTANCE CENTER 1-800-722-1111	VOLTAGE RATING: NOT APPLICABLE
FOR ORDER ENTRY	1-800-526-5142	WIRE CROSS SECTIONAL AREA RANGE: 42.4-60.6mm ² [83,700-119,500] CIR MILS SOLID OR STRANDED

THIS DRAWING IS A CONTROLLED DOCUMENT.

DIMENSIONS: MM [INCHES]	TOLERANCES UNLESS OTHERWISE SPECIFIED:
	0 PLC ± -
	1 PLC ± -
	2 PLC ± 0.20 [.008]
	3 PLC ± -
	4 PLC ± -
	ANGLES ± -
MATERIAL	FINISH
- ②	- ③

DWN DK SCHRUM 05DEC97		Tyco Electronics Corporation City, State, Zip		
CHK MJ SPICER 05DEC97		NAME TERMINAL, RING TONGUE, FLAG, SOLISTRAND		
APVD JL MECKLEY 05DEC97		SIZE A3	CAGE CODE 00779	DRAWING NO C-322215
PRODUCT SPEC		RESTRICTED TO	SCALE 2:1	SHEET 1 OF 1
APPLICATION SPEC	WEIGHT -	REV E		
CUSTOMER DRAWING				

单击下面可查看定价，库存，交付和生命周期等信息

[>>TE Connectivity\(泰科\)](#)