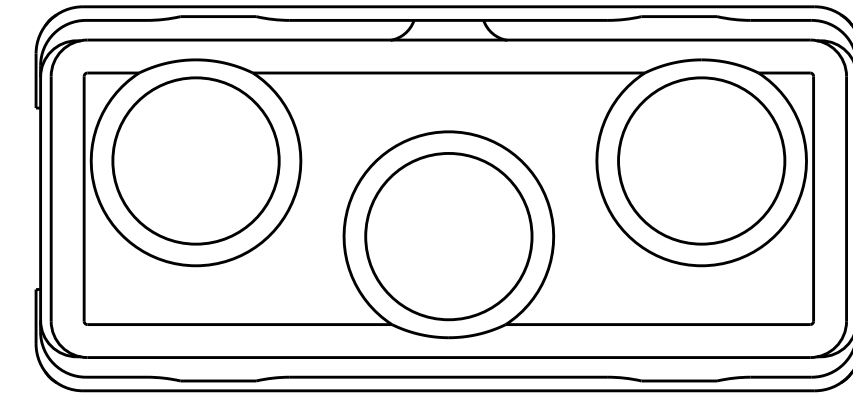
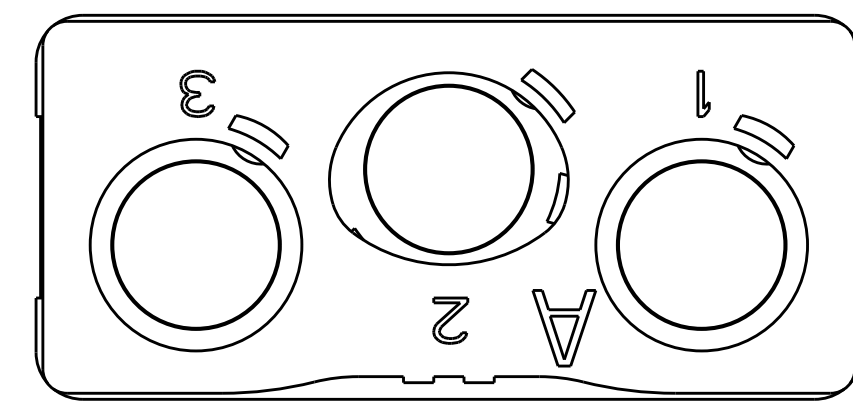
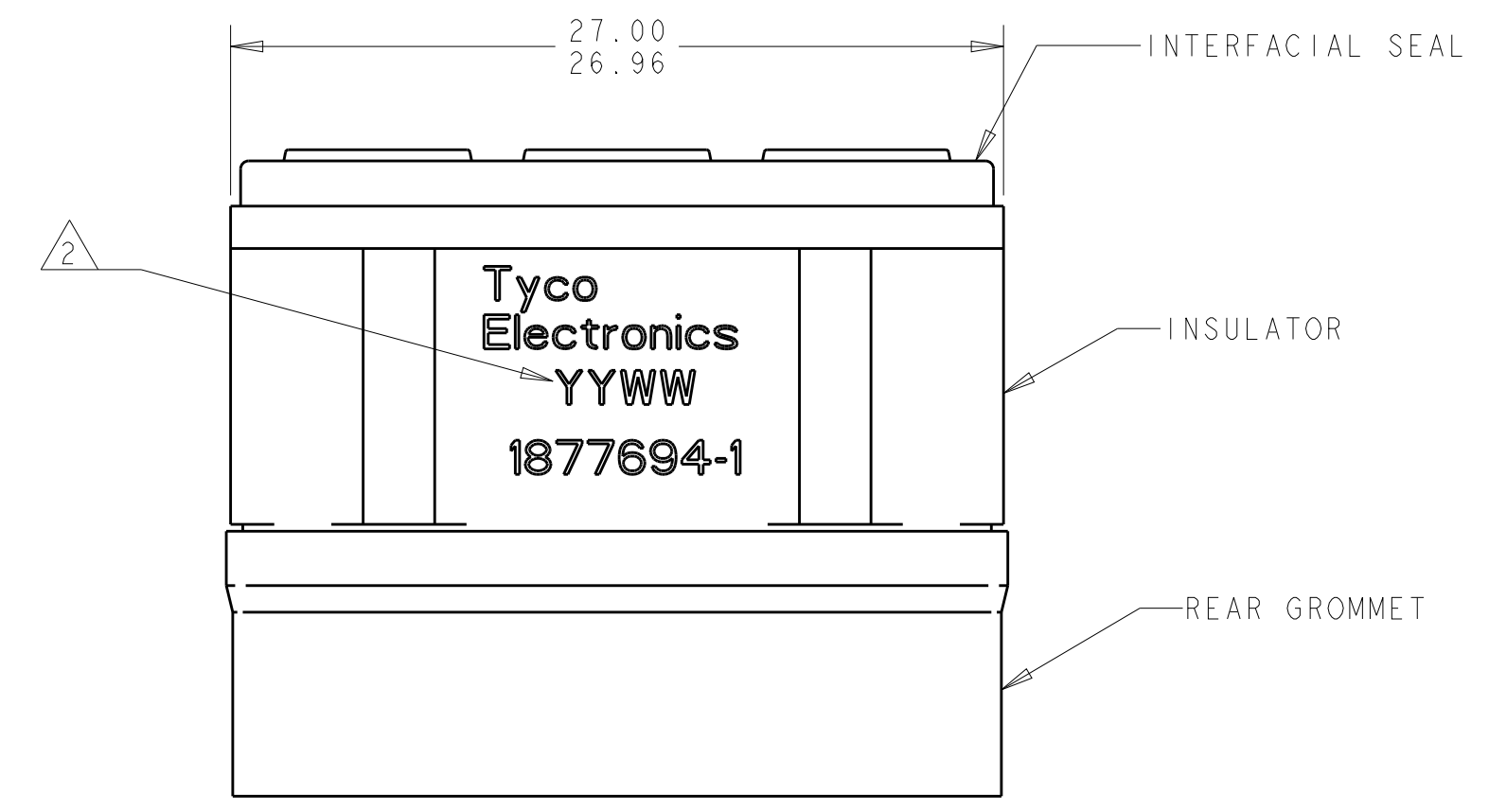
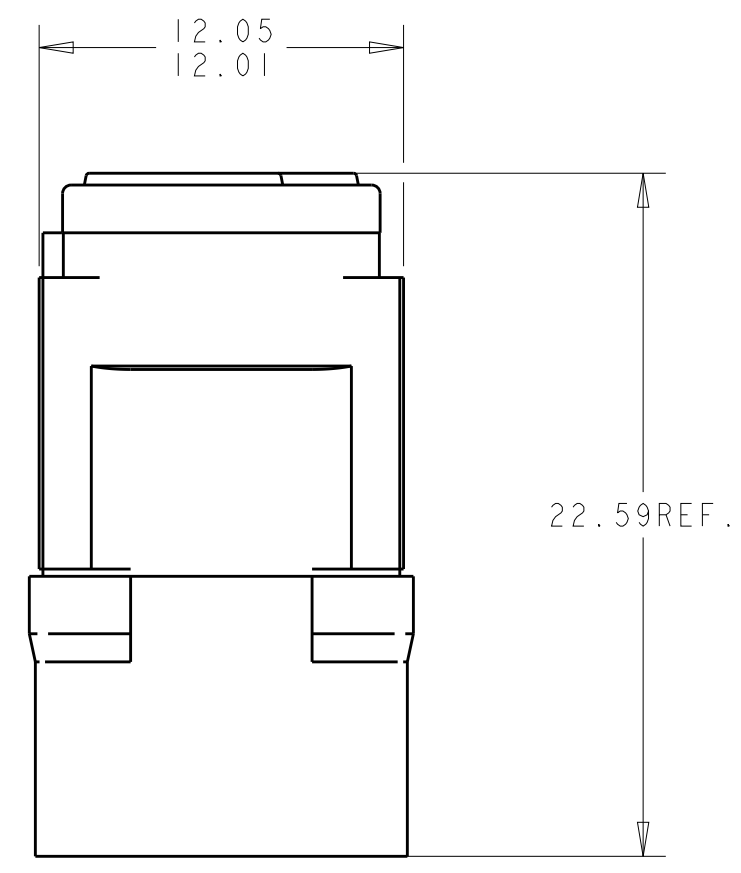


THIS DRAWING IS UNPUBLISHED. RELEASED FOR PUBLICATION
 © COPYRIGHT - BY - ALL RIGHTS RESERVED.

REVISIONS				
P	LTR	DESCRIPTION	DATE	APVD
A		RELEASED PER ECO 17-012188	8-23-17	CT CD



MATING FACE



REAR FACE

- 1 INSULATOR: PEEK THERMOPLASTIC. COLOR: NATURAL.
 CONTACT RETENTION CLIPS: COPPER ALLOY PER ASTM B194 OR STAINLESS STEEL PER ASTM A666.
 REAR GROMMET & INTERFACIAL SEAL: FLUOROSILICONE ELASTOMER PER MIL-R-25988 B, EXCEPT 4.6.6.1.
- 2 DATE CODE (YY WW).
- 3. DESCRIPTIVE PART NUMBER: GPRBE3Q3PA
 THIS INSERT CONTAINS 3 CAVITIES FOR SIZE 8 QUADRAX PIN CONTACTS.
- 4. THIS PRODUCT IS SOLD BY TYCO ELECTRONICS UNDER A LICENSE FROM RADIALL SA.

1877694-1
 PART NUMBER

THIS DRAWING IS A CONTROLLED DOCUMENT.		DWN CJV 17 JAN 2006	TE Connectivity	
DIMENSIONS:		CHK JPM 17 JAN 2006		
mm	TOLERANCES UNLESS OTHERWISE SPECIFIED:	APVD JPM 17 JAN 2006	NAME INSERT ASSEMBLY, PIN, ENVIRONMENTAL, ARRANGEMENT 303, KEY A, GPRB	
0 PLC ±-	1 PLC ±0.5	PRODUCT SPEC	SIZE	CAGE CODE
2 PLC ±0.13	3 PLC ±0.013	APPLICATION SPEC	A200779	C-1877694
4 PLC ±0.0001	ANGLES ±-	WEIGHT	SCALE	SHEET
MATERIAL	FINISH	CUSTOMER DRAWING	4:1	OF
				REV A

单击下面可查看定价，库存，交付和生命周期等信息

[>>TE Connectivity\(泰科\)](#)