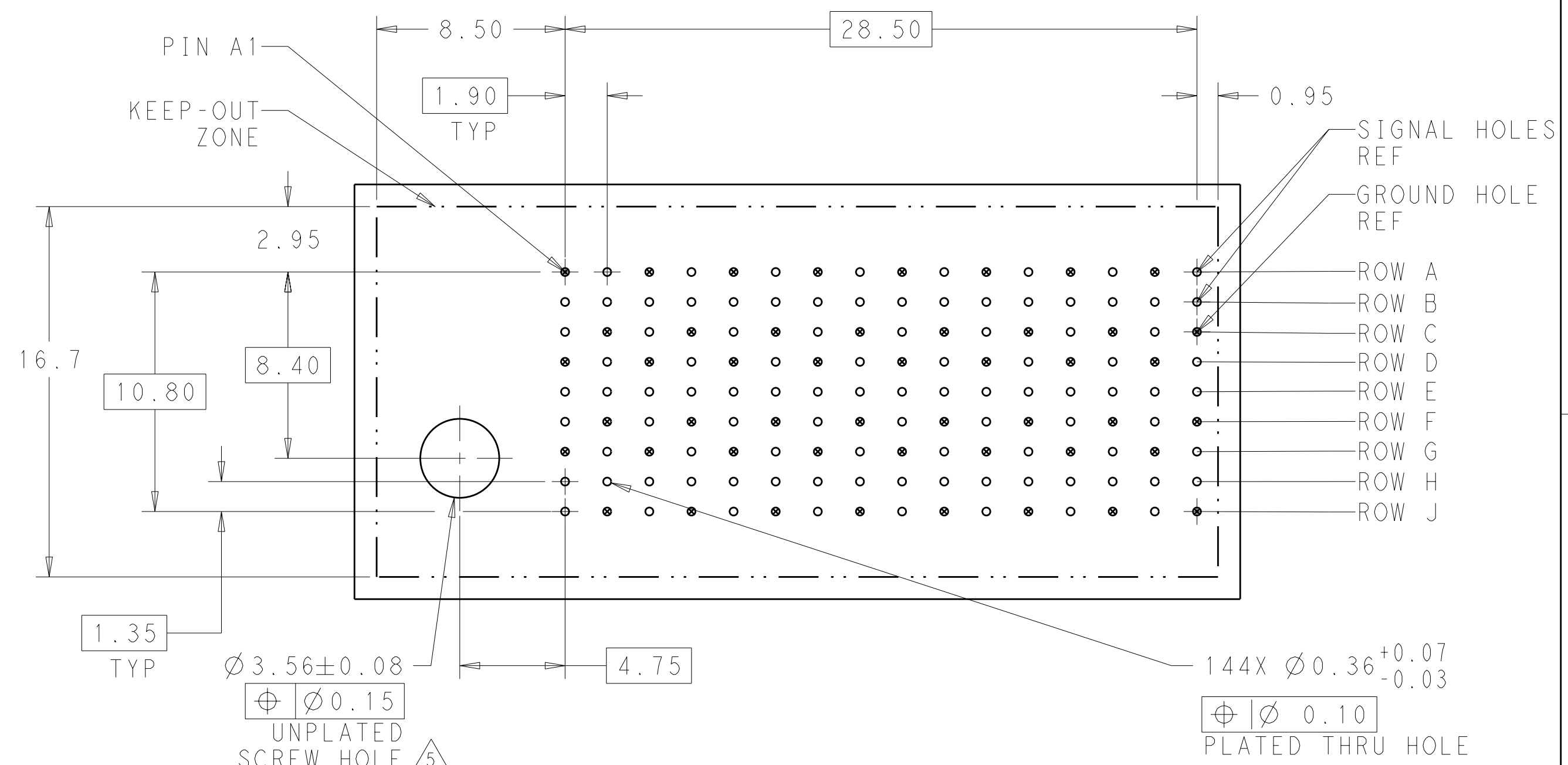
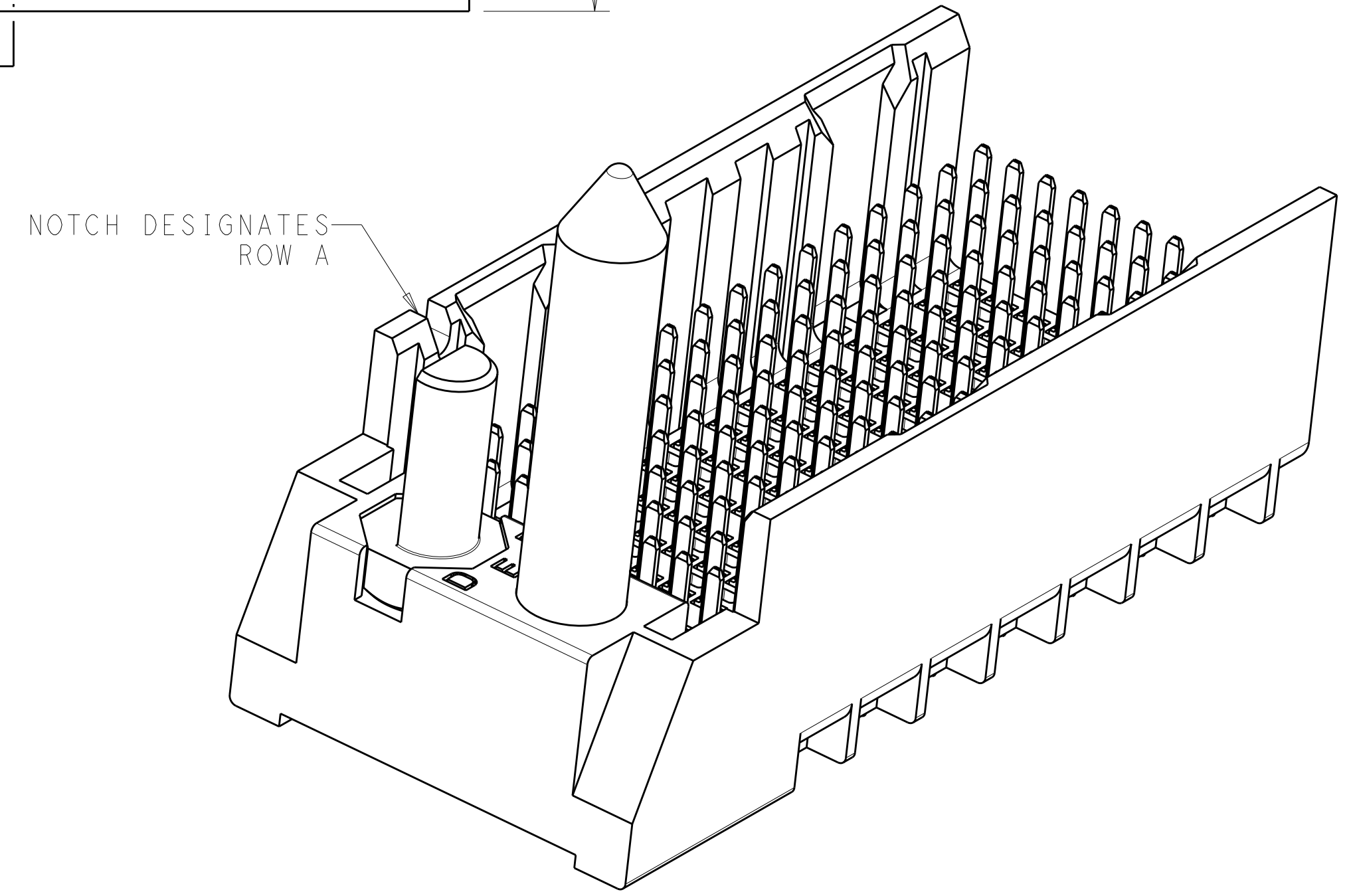
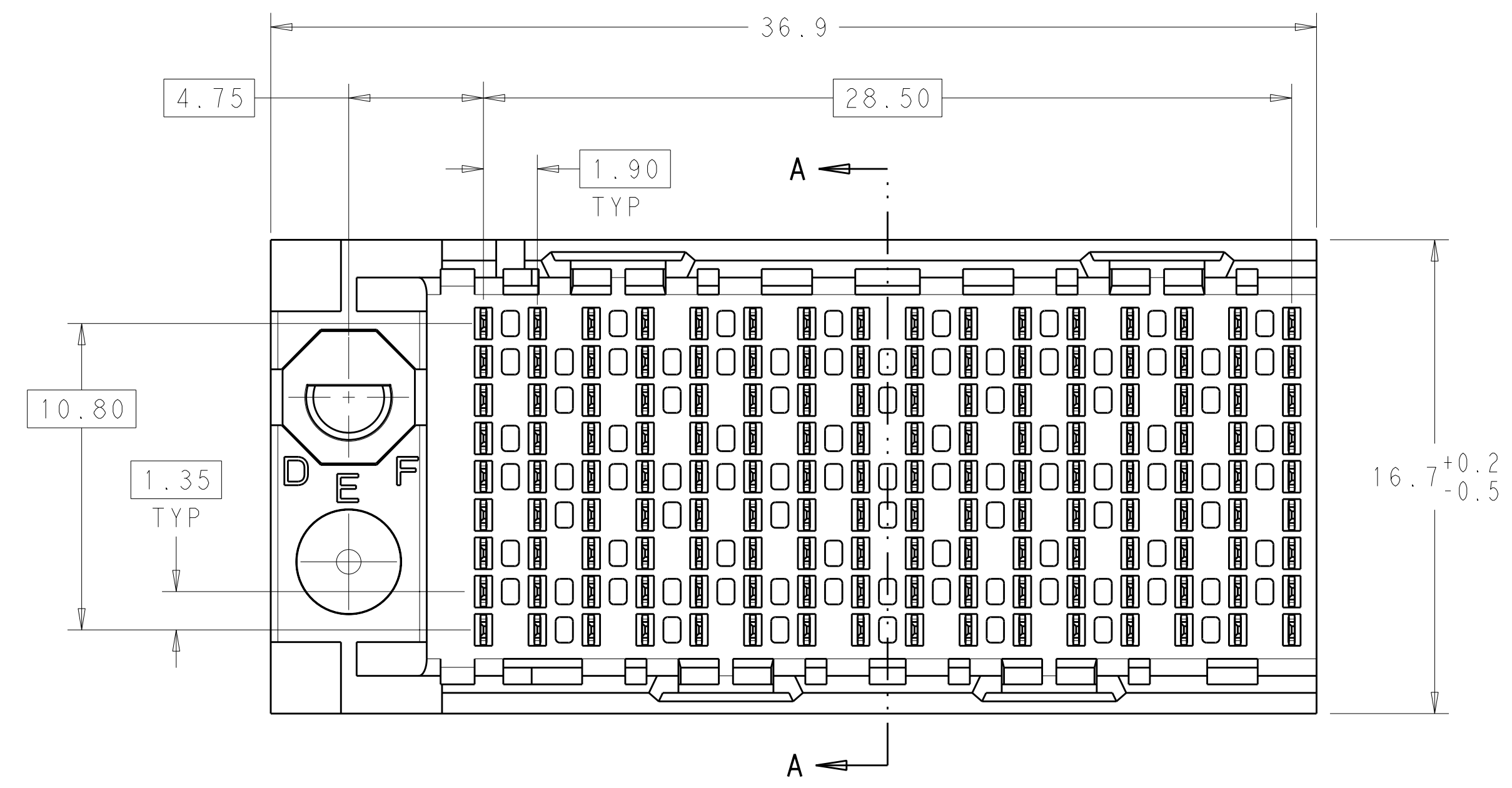
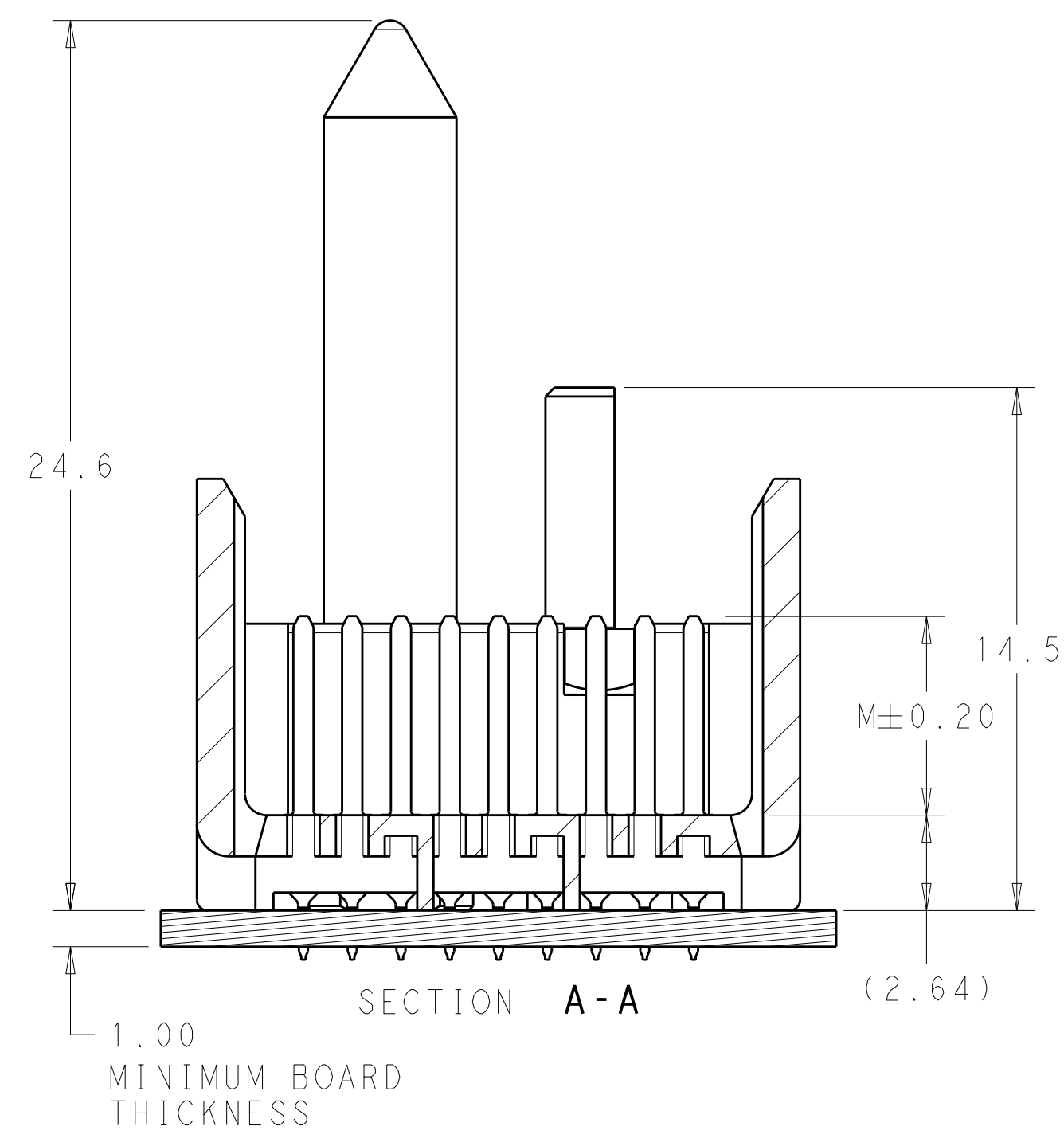
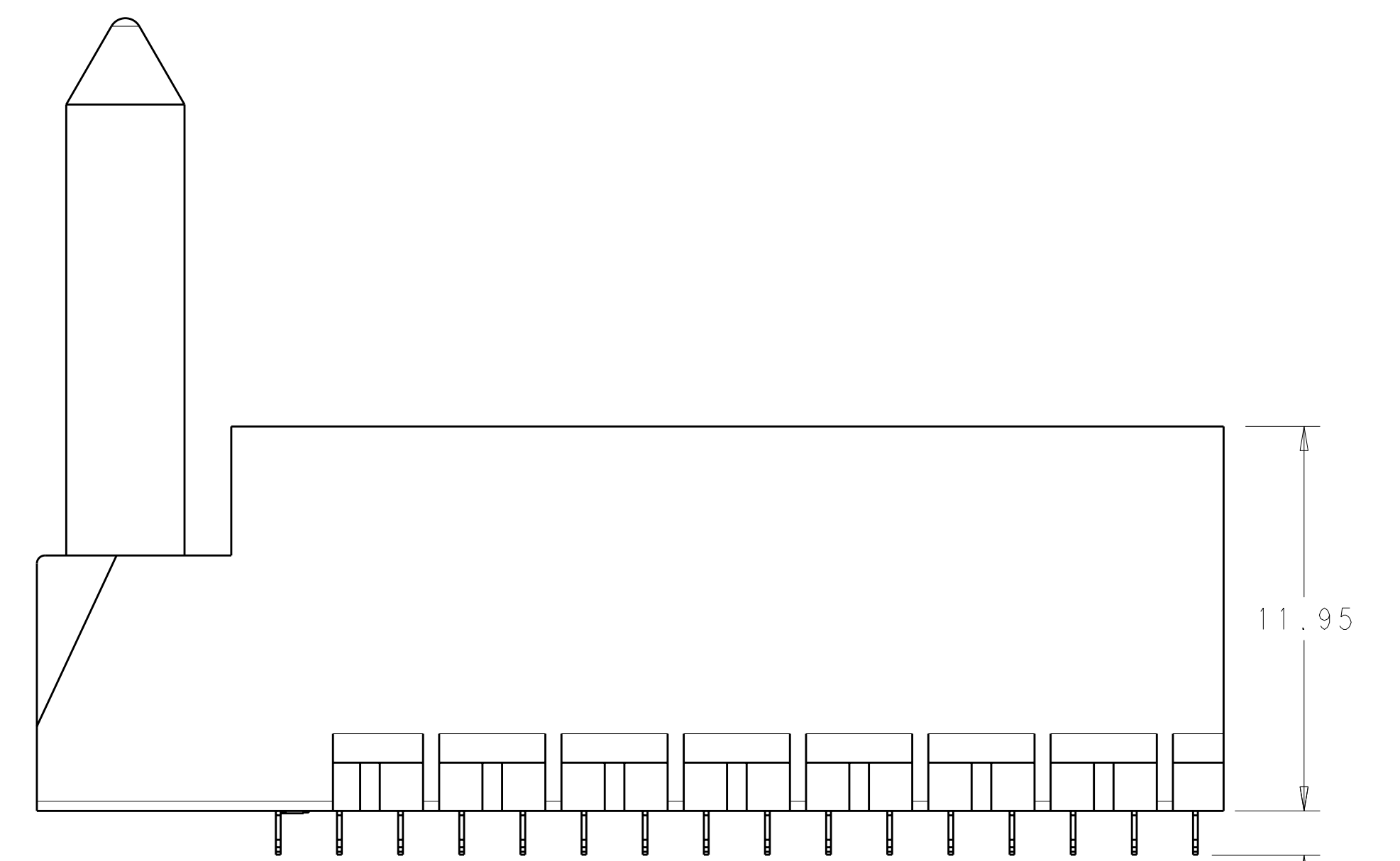


LOC		DIST		REVISIONS			
AD	00	P	LTW	DESCRIPTION	DATE	DWN	APVD
		C		REVISED PER ECO-11-025276	23DEC11	KH	DY



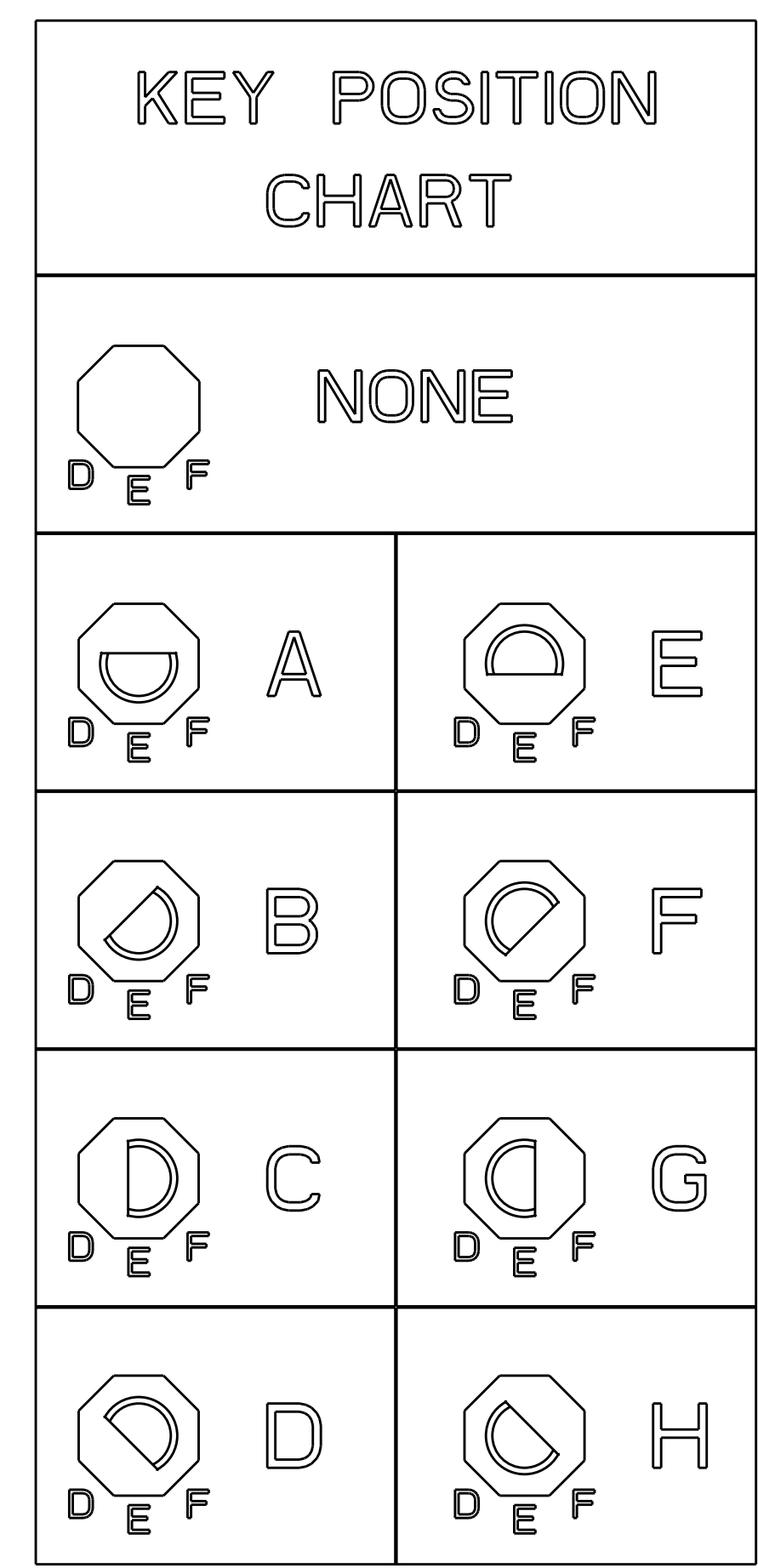
- 1 MATERIAL:  
HOUSING: LCP, GLASS FILLED, UL94V-0.  
TERMINALS: HIGH PERFORMANCE COPPER ALLOY.
- 2 FINISH:  
30µ" MIN GOLD IN CONTACT AREA. SELECTIVE TIN  
ON PCB TAILS, NICKEL OVERALL.
- 3 FINISH:  
30µ" MIN GOLD IN CONTACT AREA. SELECTIVE TIN-LEAD  
ON PCB TAILS, NICKEL OVERALL.
- 4. SCREWS PACKAGED IN END OF PACKAGING TUBE.
- 5 FOR GROUNDED GUIDE PIN USE Ø3.56±0.08 PTH,  
Ø3.66 DRILL, AND Ø6.5 PAD.
- 6. KEYING PIN SHOWN IN POSITION A. SEE KEYING CHART  
ON SHEET 2 FOR OTHER POSITIONS.



THIS DRAWING IS A CONTROLLED DOCUMENT.		DWN J. K. SHOBER	23DEC11	TE Connectivity	NAME IMPACT, 3 PAIR, 16 COLUMN, HEADER LEFT GUIDED, OPEN END WALL SIGNAL MODULE, 0.36 PTH
DIMENSIONS: mm		CHK J. EARY	23DEC11		
TOLERANCES UNLESS OTHERWISE SPECIFIED: 9 PLC ± 1 PLC ±0.25 3 PLC ±0.13 5 PLC ± 4 PLC ± ANGLES ± FINISH SEE TABLE		APVD J. EARY	23DEC11	PRODUCT SPEC	RESTRICTED TO
MATERIAL		WEIGHT		APPLICATION SPEC	SIZE CAGE CODE DRAWING NO
		CUSTOMER DRAWING		A1100779C=2007793	SCALE 6:1 SHEET 1 OF 2 REV C

LOC	DIST	REV	DATE	BY	APPD
AD	00				
DESCRIPTION			DATE	DWN	APVD
SEE SHEET 1					

FINISH	KEY POSITION	DIM M	PART NUMBER
3	H	5.5	8-2007793-6
3	H	4.9	8-2007793-5
3	H	4.5	8-2007793-4
2	H	5.5	8-2007793-3
2	H	4.9	8-2007793-2
2	H	4.5	8-2007793-1
3	G	5.5	7-2007793-6
3	G	4.9	7-2007793-5
3	G	4.5	7-2007793-4
2	G	5.5	7-2007793-3
2	G	4.9	7-2007793-2
2	G	4.5	7-2007793-1
3	F	5.5	6-2007793-6
3	F	4.9	6-2007793-5
3	F	4.5	6-2007793-4
2	F	5.5	6-2007793-3
2	F	4.9	6-2007793-2
2	F	4.5	6-2007793-1
3	E	5.5	5-2007793-6
3	E	4.9	5-2007793-5
3	E	4.5	5-2007793-4
2	E	5.5	5-2007793-3
2	E	4.9	5-2007793-2
2	E	4.5	5-2007793-1
3	D	5.5	4-2007793-6
3	D	4.9	4-2007793-5
3	D	4.5	4-2007793-4
2	D	5.5	4-2007793-3
2	D	4.9	4-2007793-2
2	D	4.5	4-2007793-1
3	C	5.5	3-2007793-6
3	C	4.9	3-2007793-5
3	C	4.5	3-2007793-4
2	C	5.5	3-2007793-3
2	C	4.9	3-2007793-2
2	C	4.5	3-2007793-1
3	B	5.5	2-2007793-6
3	B	4.9	2-2007793-5
3	B	4.5	2-2007793-4
2	B	5.5	2-2007793-3
2	B	4.9	2-2007793-2
2	B	4.5	2-2007793-1
3	A	5.5	1-2007793-6
3	A	4.9	1-2007793-5
3	A	4.5	1-2007793-4
2	A	5.5	1-2007793-3
2	A	4.9	1-2007793-2
2	A	4.5	1-2007793-1
3	-	5.5	2007793-6
3	-	4.9	2007793-5
3	-	4.5	2007793-4
2	-	5.5	2007793-3
2	-	4.9	2007793-2
2	-	4.5	2007793-1



REFER TO WWW.TE.COM  
FOR PRODUCT AVAILABILITY

THIS DRAWING IS A CONTROLLED DOCUMENT.		DWN J. K. SHOBER 23DEC11 CHK J. EBY 23DEC11 APVD J. EBY 23DEC11	TE Connectivity
DIMENSIONS: mm	TOLERANCES UNLESS OTHERWISE SPECIFIED: 9 PLC ±0.25 5 PLC ±0.13 4 PLC ± ANGLES ± FINISH SEE TABLE	PRODUCT SPEC APPLICATION SPEC WEIGHT CUSTOMER DRAWING	NAME IMPACT, 3 PAIR, 16 COLUMN, HEADER LEFT GUIDED, OPEN END WALL SIGNAL MODULE, 0.36 PTH SIZE CAGE CODE DRAWING NO RESTRICTED TO A100779C=2007793
SCALE 5:1 SHEET 2 OF 2 REV C			

单击下面可查看定价，库存，交付和生命周期等信息

[>>TE Connectivity\(泰科\)](#)