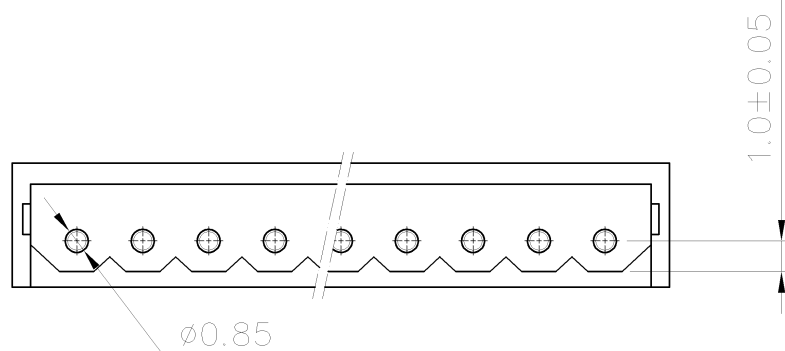
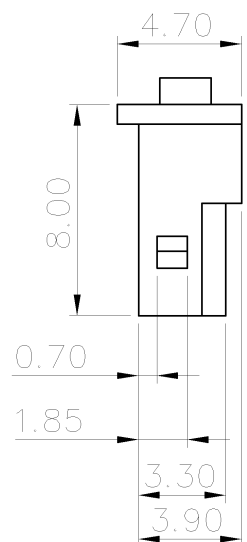
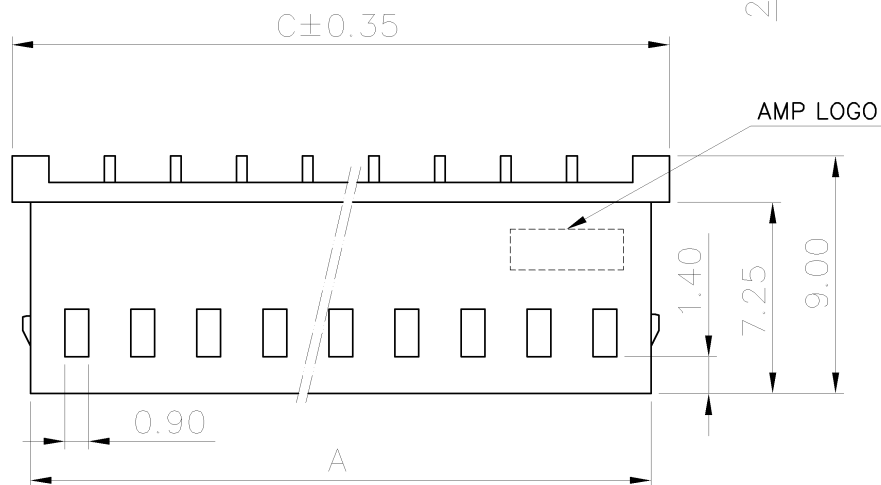
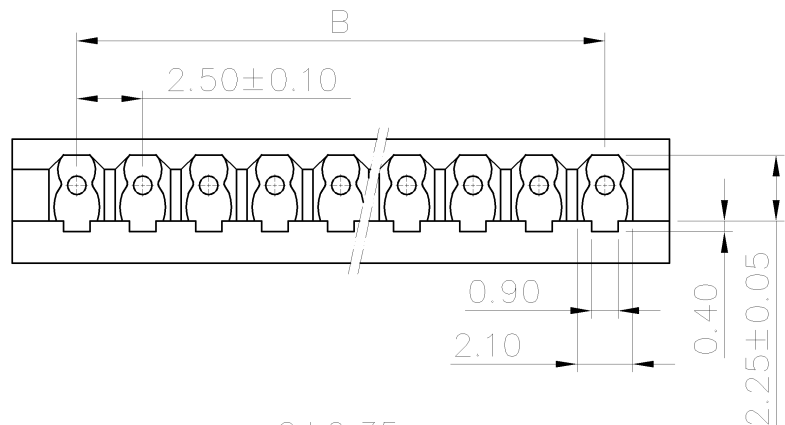


LOC	DIST	REVISIONS					
DW	-	P	LTR	DESCRIPTION	DATE	DWN	APVD
		B3		REVISED (ECR-10-009920)	12MAY11	SC	WK



NOTE:

1. MATERIAL :

HOUSING : THERMOPLASTIC UL94V-2, IVORY COLOR.

39.9	35.00 ±0.15	38.3	15	1-1470222-5
37.4	32.50 ±0.15	35.8	14	1-1470222-4
34.9	30.00 ±0.15	33.3	13	1-1470222-3
32.4	27.50 ±0.15	30.8	12	1-1470222-2
29.9	25.00 ±0.15	28.3	11	1-1470222-1
27.4	22.50 ±0.15	25.8	10	1-1470222-0
24.9	20.00 ±0.10	23.3	9	0-1470222-9
22.4	17.50 ±0.10	20.8	8	0-1470222-8
19.9	15.00 ±0.10	18.3	7	0-1470222-7
17.4	12.50 ±0.10	15.8	6	0-1470222-6
14.9	10.00 ±0.10	13.3	5	0-1470222-5
12.4	7.50 ±0.10	10.8	4	0-1470222-4
9.9	5.00 ±0.10	8.3	3	0-1470222-3
7.4	2.50 ±0.10	5.8	2	0-1470222-2
C	B	A	POS.	PART NUMBER

THIS DRAWING IS A CONTROLLED DOCUMENT.		DWN	O. HU	25JUL2003	STE TE Connectivity		
DIMENSIONS: MM		CHK	A. WU	25JUL2003			
TOLERANCES UNLESS OTHERWISE SPECIFIED:		APVD	J. CHENG	25JUL2003	NAME		
0 PLC ± 0.5		PRODUCT SPEC		108-57175			
1 PLC ± 0.2		APPLICATION SPEC		501-57195			
2 PLC ± 0.10		WEIGHT		= GRAMS			
3 PLC ± 0.05		CUSTOMER DRAWING		SCALE — SHEET 1 OF 2 REV B3			
4 PLC ± ± 3°		FINISH		SEE NOTE			
MATERIAL		FINISH		SEE NOTE			
SEE NOTE		FINISH		SEE NOTE			

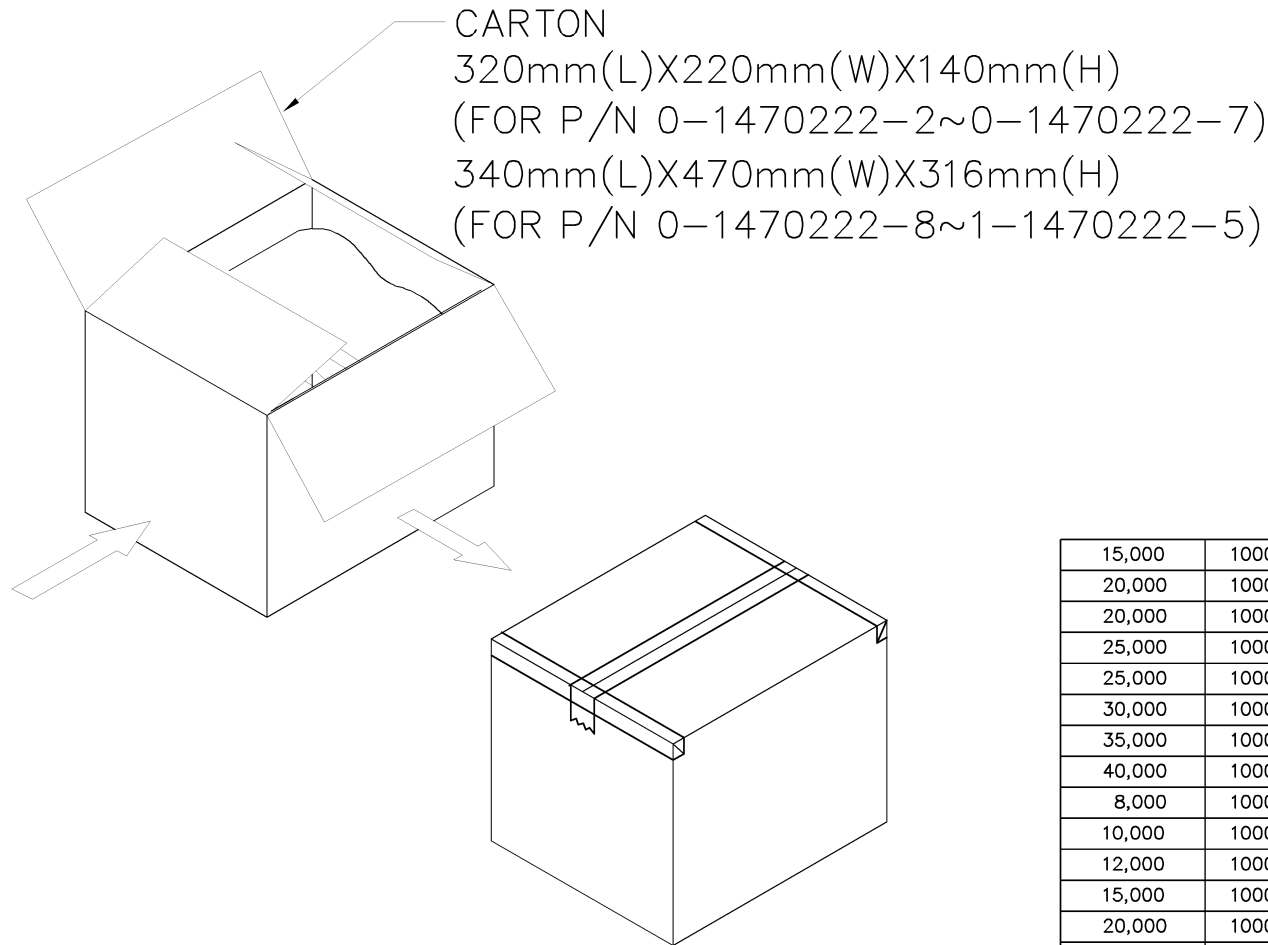
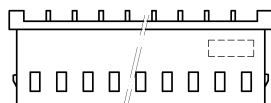
LOC DW

DIST

REVISIONS

P	LTR	DESCRIPTION	DATE	DWN	APVD
		SEE SHEET 1.			

POLY BAG



15,000	1000	1-1470222-5
20,000	1000	1-1470222-4
20,000	1000	1-1470222-3
25,000	1000	1-1470222-2
25,000	1000	1-1470222-1
30,000	1000	1-1470222-0
35,000	1000	0-1470222-9
40,000	1000	0-1470222-8
8,000	1000	0-1470222-7
10,000	1000	0-1470222-6
12,000	1000	0-1470222-5
15,000	1000	0-1470222-4
20,000	1000	0-1470222-3
25,000	1000	0-1470222-2
APQ (PCS/CARTON)	PPQ (PCS/BAG)	PART NUMBER

THIS DRAWING IS A CONTROLLED DOCUMENT.		DWN	STE TE Connectivity		
DIMENSIONS: MM		CHK			
TOLERANCES UNLESS OTHERWISE SPECIFIED:		APVD	NAME		
0 PLC ± -		PRODUCT SPEC	2.5mm PITCH EMIX RCPT CRIMP HOUSING		
1 PLC ± -		APPLICATION SPEC	SIZE	CAGE CODE	DRAWING NO
2 PLC ± -		WEIGHT	A3	00779	C=1470222
3 PLC ± -		CUSTOMER DRAWING			
4 PLC ± -		SCALE	SHEET 2 OF 2		REV B3
ANGLES ± -					
FINISH					
MATERIAL					

单击下面可查看定价，库存，交付和生命周期等信息

[>>TE Connectivity\(泰科\)](#)