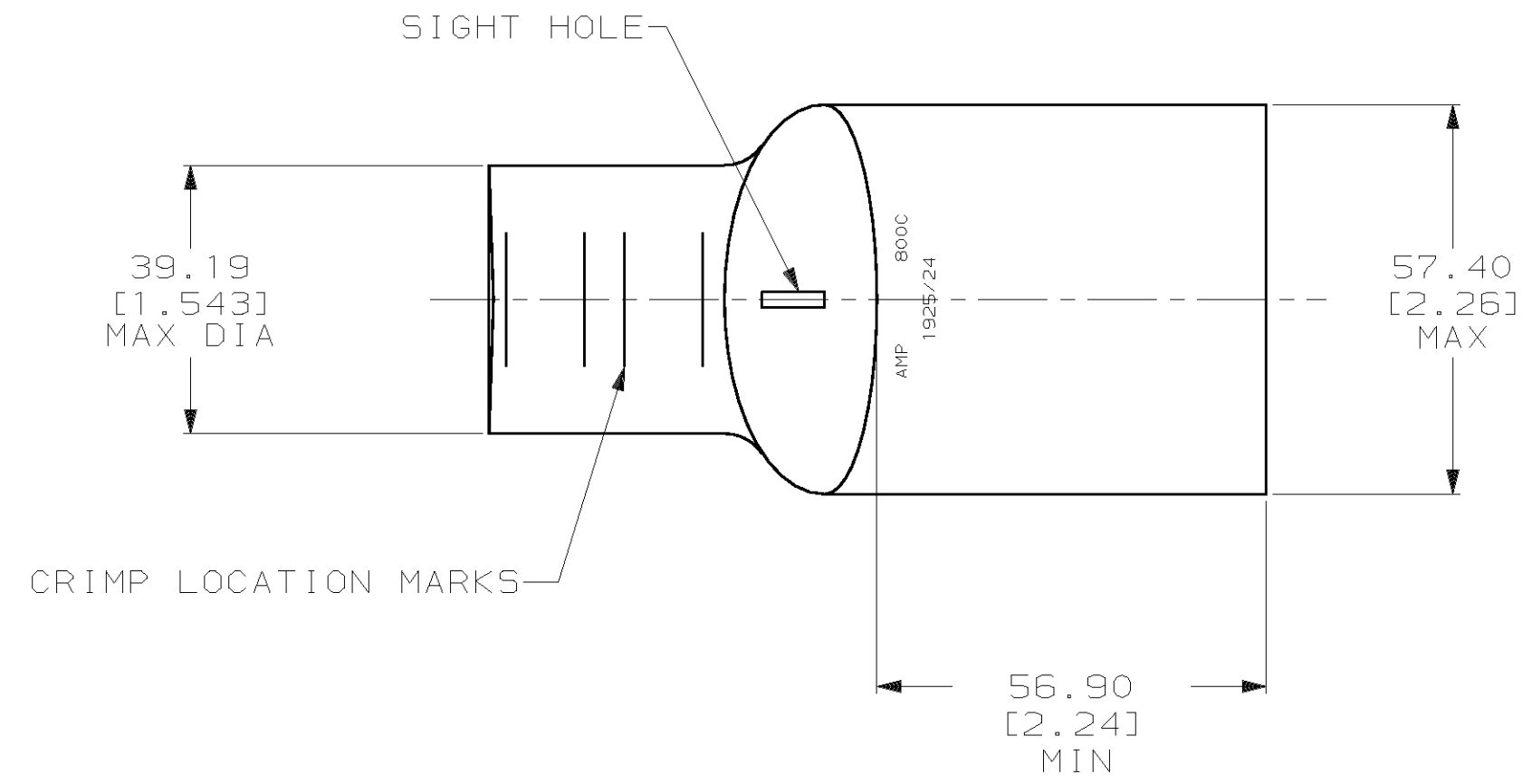
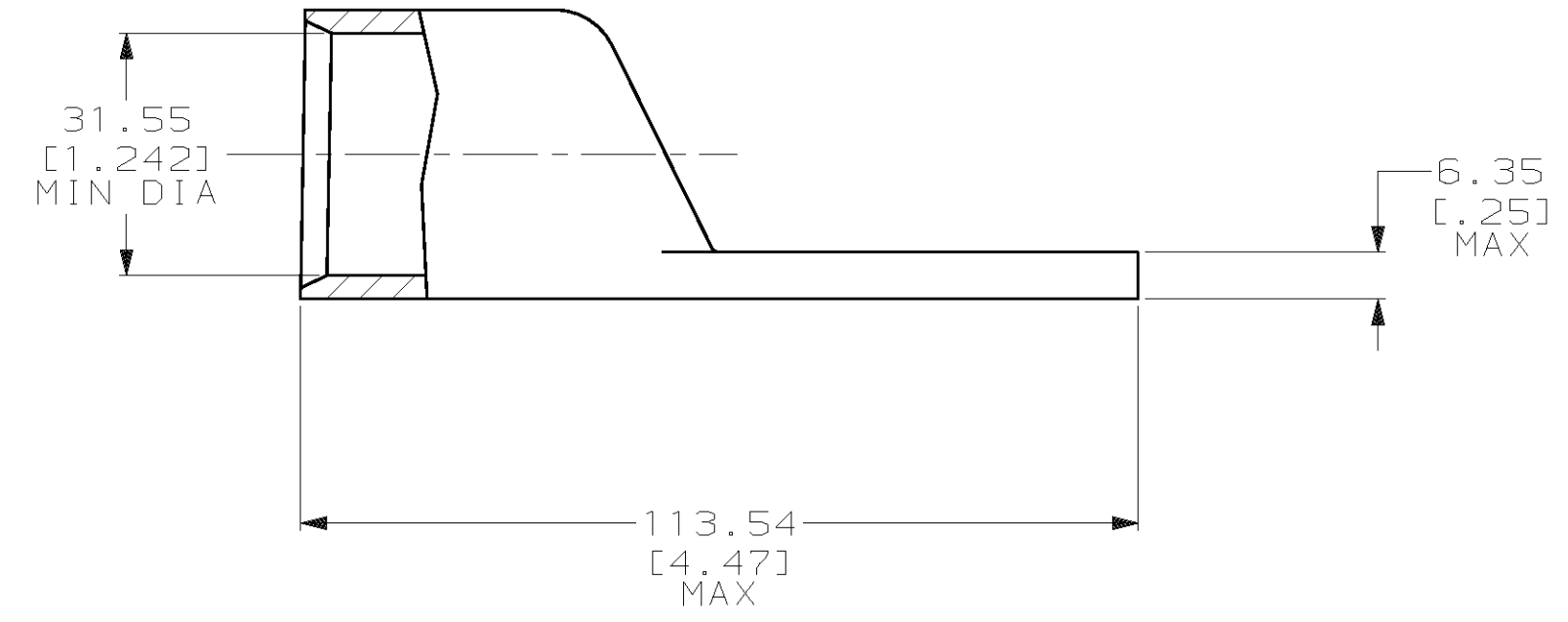


THIS DRAWING IS UNPUBLISHED. RELEASED FOR PUBLICATION, 19 .
 © COPYRIGHT 19 BY AMP INCORPORATED. ALL INTERNATIONAL RIGHTS RESERVED.

LOC		DIST		P		F		ZONE		LTR		REVISIONS		DATE	APPD
G		86								M		REV PER 0G3A-0561-01		09OCT02	JR/MS



1 CIRCULAR MIL RANGE: 750-850 MCM



2-326413-1

PART NO

DO NOT SCALE PRINT. UNLESS SPECIFIED DIMENSIONS IN mm [INCHES] TOLERANCES ON : 2 PLC DEC ± 0.51 [.020] 3 PLC DEC ± - ANGLES ± -	DR 04/05/90 DK SCHRUM	AMP INCORPORATED Harrisburg, Pa. 17105
MATERIAL ANNEALED COPPER ASTM B-75	CHK 25JAN95 MS FEHER	
FINISH CLEANED	APPD 25JAN95 WJ VOCKROTH	NAME TERMINAL, AMPPOWER™ WIRE SIZE: 800 MCM
	APPD 25JAN95 TL SHUTTER	PRODUCT SPEC -
	APPLICATION SPEC -	SIZE C
	WEIGHT .734 LB	CAGE CODE 00779
		DRAWING NO 326413
		SCALE 1:1
		SHEET 1 OF 1

CUSTOMER DRAWING

单击下面可查看定价，库存，交付和生命周期等信息

[>>TE Connectivity\(泰科\)](#)