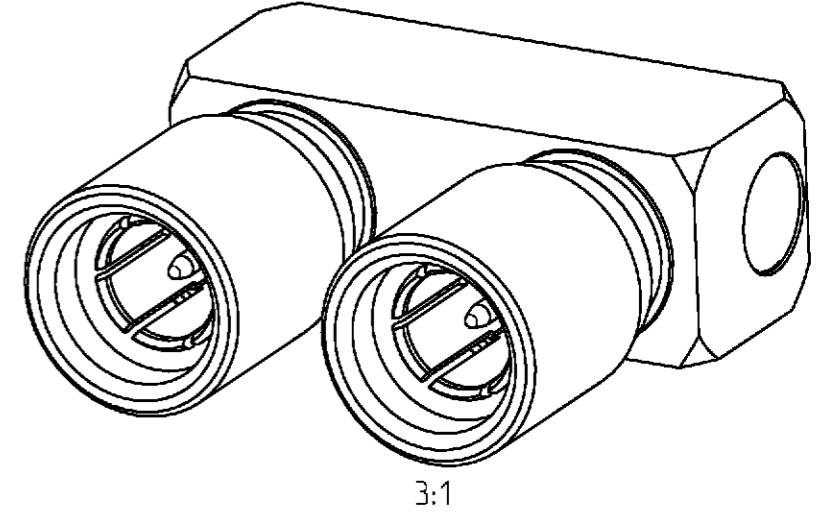
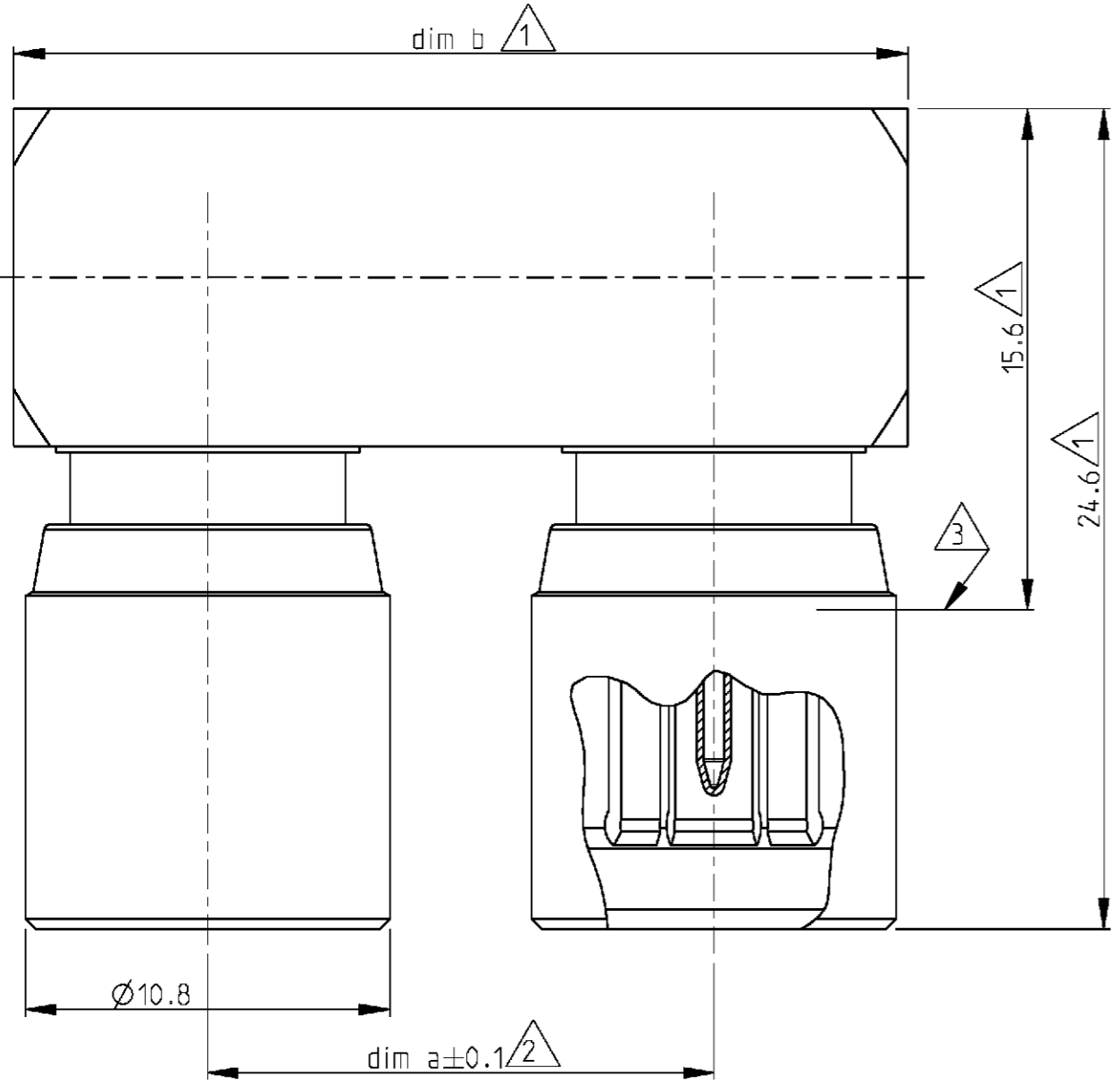


THIS DRAWING IS UNPUBLISHED. RELEASED FOR PUBLICATION 2000
 © COPYRIGHT 2000 BY TYCO ELECTRONICS CORPORATION. ALL RIGHTS RESERVED.

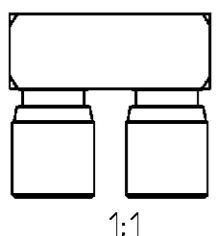
LOC	DIST	REVISIONS				
P	LTR	DESCRIPTION	DATE	DWN	APVD	
GW	-					
	A	-	05APR2001	BL	KM	
	A1	REV PER ECO-09-026495	30NOV09	KK	AEG	



Old part number	Tyco part number	Description	Material	Plating	dim a	dim b
C42334-A81-A30	1393681-2	Outer conductor	CuBe	1 µm Au min in contact area	30	41.5
		Center conductor	CuBe/CuSn6	1 µm Au min in contact area		
		Dielectric	PEEK/PTFE	-		
C42334-A81-A28	1393681-1	Outer conductor	CuBe	1 µm Au min in contact area	15	26.5
		Center conductor	CuBe/CuSn6	1 µm Au min in contact area		
		Dielectric	PEEK/PTFE	-		

5 OBSOLETE

- 5** OBSOLETE PARTS: OBSOLETE CIS STREAMLINING PER D.RENAUD/D.SINISI
- 4) Mating face according to DIN 47295/ CECC 22240
- 3** Reference plane
- 2** Installation dimension
- 1** Maximum dimension



<small>THIS DRAWING IS A CONTROLLED DOCUMENT FOR TYCO ELECTRONICS CORPORATION. IT IS SUBJECT TO CHANGE AND THE CONTROLLING ENGINEERING ORGANIZATION SHOULD BE CONTACTED FOR THE LATEST REVISION.</small>		DWN 05MAR2001 B. Lenvain		Tyco Electronics Oostkamp - Belgium	
DIMENSIONS: mm		TOLERANCES UNLESS OTHERWISE SPECIFIED:			
		0 PLC ± 1 PLC ±± 2 PLC ±±± 3 PLC ±±±± 4 PLC ±±±±± ANGLES ±		NAME: U- Link 1.6/5.6 75 ohm	
MATERIAL: -		FINISH: -		PRODUCT SPEC: - APPLICATION SPEC: - WEIGHT: -	
		CUSTOMER DRAWING		SIZE: A3 CAGE CODE: 00779	DRAWING NO: C-1393681-1 RESTRICTED TO: -
				SCALE: 5/1	SHEET: 1 OF 1 REV: A1

单击下面可查看定价，库存，交付和生命周期等信息

[>>TE Connectivity\(泰科\)](#)