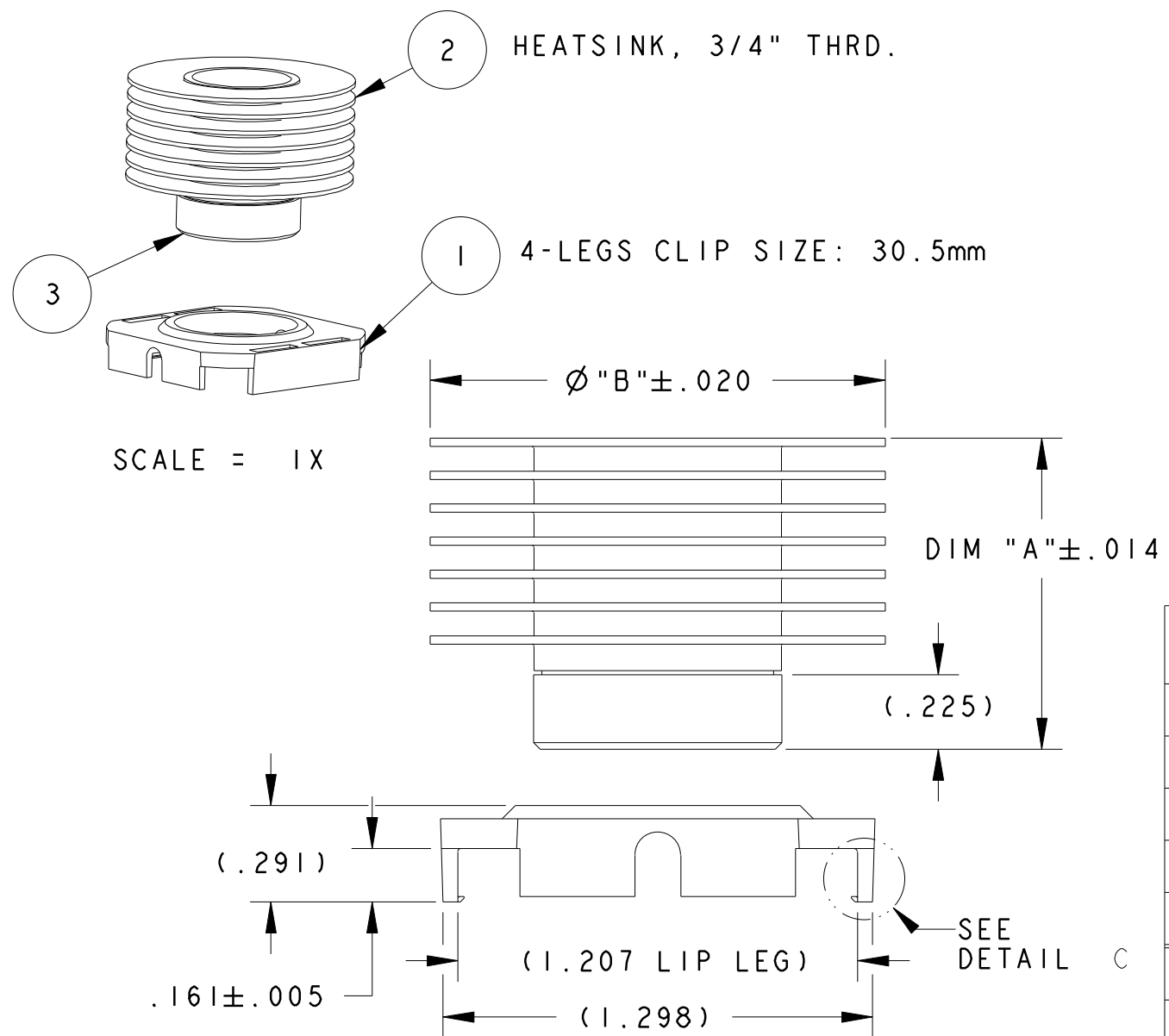
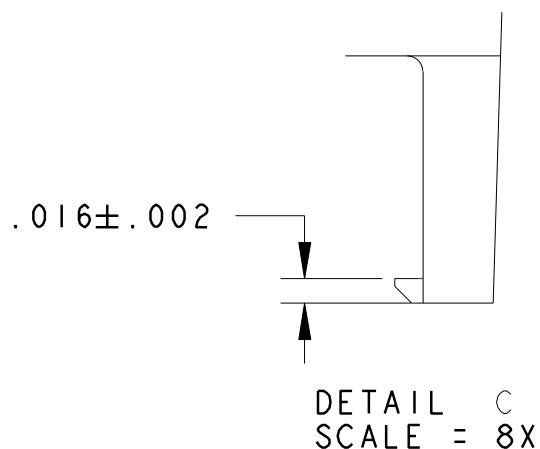


CUSTOMER DRAWING

SPECIFICATIONS ARE SUBJECT TO CHANGE WITHOUT NOTICE



SCALE = 1X



NOTES: UNLESS OTHERWISE SPECIFIED:

- INTERPRET DRAWING PER ASME Y14.5M-1994.
- MATERIAL: HEAT SINK: ALUMINUM
CLIP: BLACK PEI (UL94-VO)
- BEFORE THE HEATSINK APPLICATION, THE USER SHOULD IDENTIFY THE SPECIFICATION OF MAXIMUM LOAD ON THE BGA PACKAGE.

SCREW DRIVER SLOT (.070 WIDE X .100 DEEP) PROVIDED IN THE CENTER PORTION OF THE HEAT SINK. FOR ACCURATE TORQUE SETTING, SCREW DRIVER BIT MUST BE ALIGNED TO THE CENTER LINE OF THE HEAT SINK.

HEATSINK TORQUE SPECIFICATIONS CONVERTED TO FORCE. BARE DIE PACKAGE:

- 1.5 POUND-FORCE INCH TORQUE = 7.5 POUND-FORCE (0.17 NEWTON METER TORQUE = 33.36 NEWTON)
- 2.0 POUND-FORCE INCH TORQUE = 10.0 POUND-FORCE (0.23 NEWTON METER TORQUE = 44.48 NEWTON)

FULL SIZE LID PACKAGE:

- 1.5 POUND-FORCE INCH TORQUE = 6.9 POUND-FORCE (0.17 NEWTON METER TORQUE = 30.69 NEWTON)
- 2.0 POUND-FORCE INCH TORQUE = 9.3 POUND-FORCE (0.23 NEWTON METER TORQUE = 41.37 NEWTON)

- REMOVE CLIP WITH REMOVAL TOOL P/N: 1542616-1.
- RoHS COMPLIANT AND CERTIFIED.

| 200 LFM | 400 LFM | 600 LFM | | | | |
|--------------------------|---------|---------|----------------------|-------------------------------------|------------|---------|
| 3.63 | 2.30 | 1.89 | 2-1963556-7 | ϕ 2.000" HS, 3/4" THRD. 7 FINS | 2.000 | .940 |
| 3.94 | 2.55 | 2.08 | 2-1963556-5 | ϕ 2.000" HS, 3/4" THRD. 5 FINS | 2.000 | .740 |
| 4.29 | 2.76 | 2.22 | 2-1963556-4 | ϕ 2.000" HS, 3/4" THRD. 4 FINS | 2.000 | .640 |
| 4.76 | 3.11 | 2.48 | 2-1963556-3 | ϕ 2.000" HS, 3/4" THRD. 3 FINS | 2.000 | .540 |
| 5.23 | 3.46 | 2.75 | 2-1963556-2 | ϕ 2.000" HS, 3/4" THRD. 2 FINS | 2.000 | .440 |
| 4.56 | 3.06 | 2.41 | 1-1963556-7 | ϕ 1.375" HS, 3/4" THRD, 7 FINS | 1.375 | .940 |
| 4.95 | 3.29 | 2.61 | 1-1963556-5 | ϕ 1.375" HS, 3/4" THRD, 5 FINS | 1.375 | .740 |
| 5.39 | 3.48 | 2.74 | 1-1963556-4 | ϕ 1.375" HS, 3/4" THRD, 4 FINS | 1.375 | .640 |
| 5.97 | 3.95 | 3.09 | 1-1963556-3 | ϕ 1.375" HS, 3/4" THRD, 3 FINS | 1.375 | .540 |
| 6.56 | 4.41 | 3.44 | 1-1963556-2 | ϕ 1.375" HS, 3/4" THRD. 2 FINS | 1.375 | .440 |
| Rca ($^{\circ}$ C/WATT) | | | ASSEMBLY HS PART NO. | DESCRIPTION | ϕ "B" | DIM "A" |

THERMAL PERFORMANCE

TABLE 2

| ITEM NO. | DESCRIPTION | QTY |
|----------|----------------------|-----|
| 3 | INTERFACE | 1 |
| 2 | HEATSINK, 3/4" THRD. | 1 |
| 1 | MOUNTING CLIP | 1 |

TABLE 1 (BOM)

| REV. | DESCRIPTION | DATE |
|------|---------------|--------------|
| A | RELEASE | 11/21/04 |
| | ERD #: | 112104 |
| | E.TAO | 5-4-07 |
| | APP'D: | V.K 5-4-07 |
| AI | RELEASED | 5-24-07 |
| | ECR-07-012339 | |
| | ETAO | 5-24-07 |
| | APP'D: | V.K 5-24-07 |
| B | RELEASED | 10-18-07 |
| | ECO-07-023087 | |
| | DA | 10-1-07 |
| | APP'D: | BP 10-18-07 |
| BI | RELEASED | 12-17-07 |
| | ECR-07-030181 | |
| | ETAO | 12-14-07 |
| | APP'D: | B.P 12-17-07 |

| | | | | | | | | |
|--------------|--|--|--------------------------------------|----------------|---|---|---------------------------|--------------|
| DO NOT SCALE | | | North Attleboro, Massachusetts 02760 | | CONFIDENTIAL PROPERTY OF TYCO ELECTRONICS. NOT TO BE DISCLOSED TO OTHERS. REPRODUCED OR USED FOR ANY PURPOSES EXCEPT AS AUTHORIZED IN WRITING BY AN AUTHORIZED OFFICIAL OF TYCO ELECTRONICS. MUST BE RETURNED TO TYCO ELECTRONICS ON DEMAND, ON COMPLETION OF ORDER OR OTHER PURPOSES FOR WHICH LENT. | TITLE: ASSEMBLY HEATSINK WITH 4 LEGS, 30.5mm CLIP | | |
| | UNLESS OTHERWISE SPECIFIED TOLERANCES ARE: | | DRAWN BY: E.TAO | DATE: 5-4-07 | | MATERIAL: N/A | DIMENSIONS ARE IN: INCHES | SCALE: 2:1 |
| | .XX ± . | | ENGINEER: V.KHEIL | DATE: 5-4-07 | | FINISH: N/A | TE PART NO.: | SHEET 1 of 1 |
| | .XXX ± . | | FILENAME: C-1963556 | PROJECT: PRO-E | | | SIZE: B | SEE TABLE 2 |

单击下面可查看定价，库存，交付和生命周期等信息

[>>TE Connectivity\(泰科\)](#)