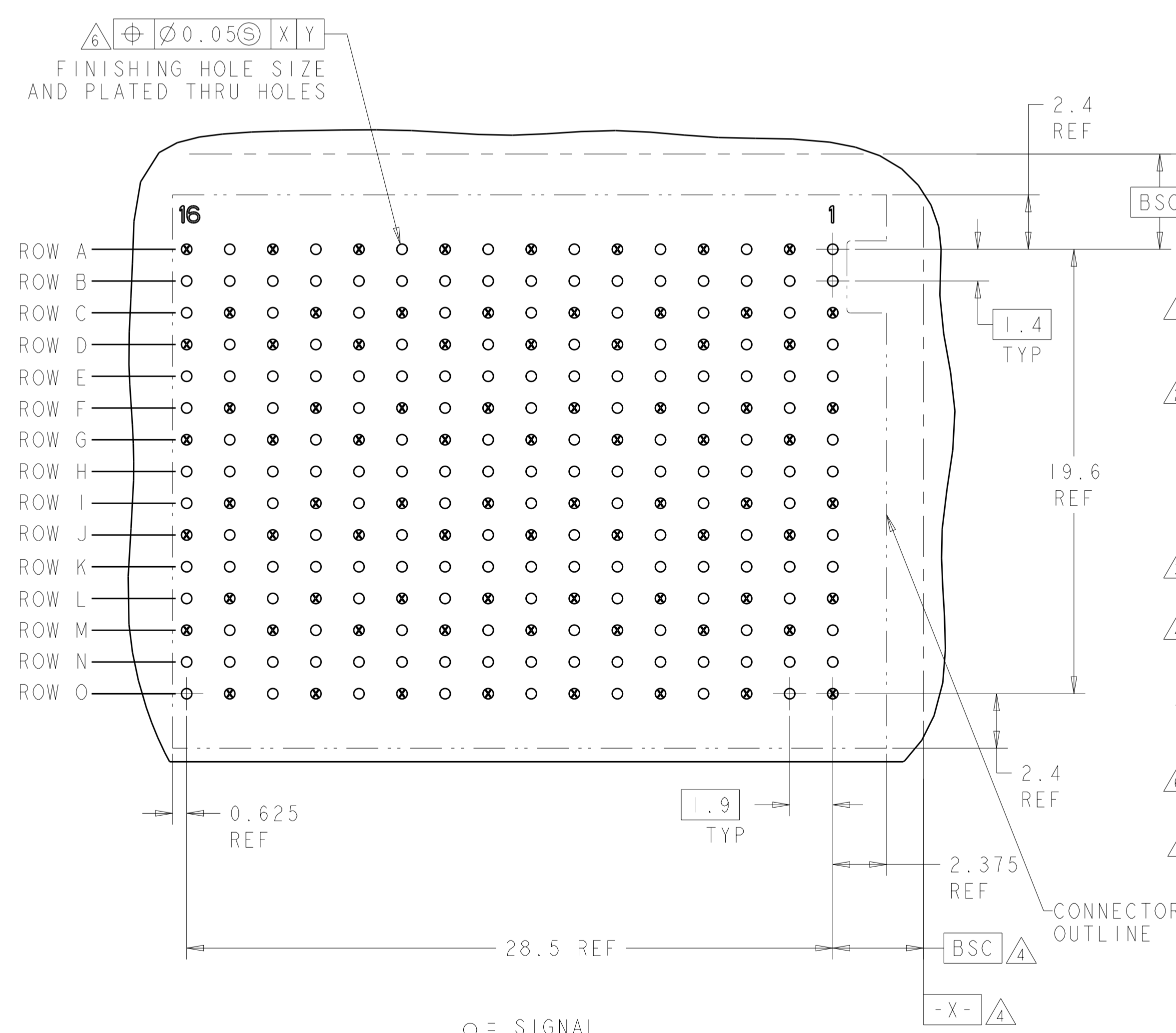
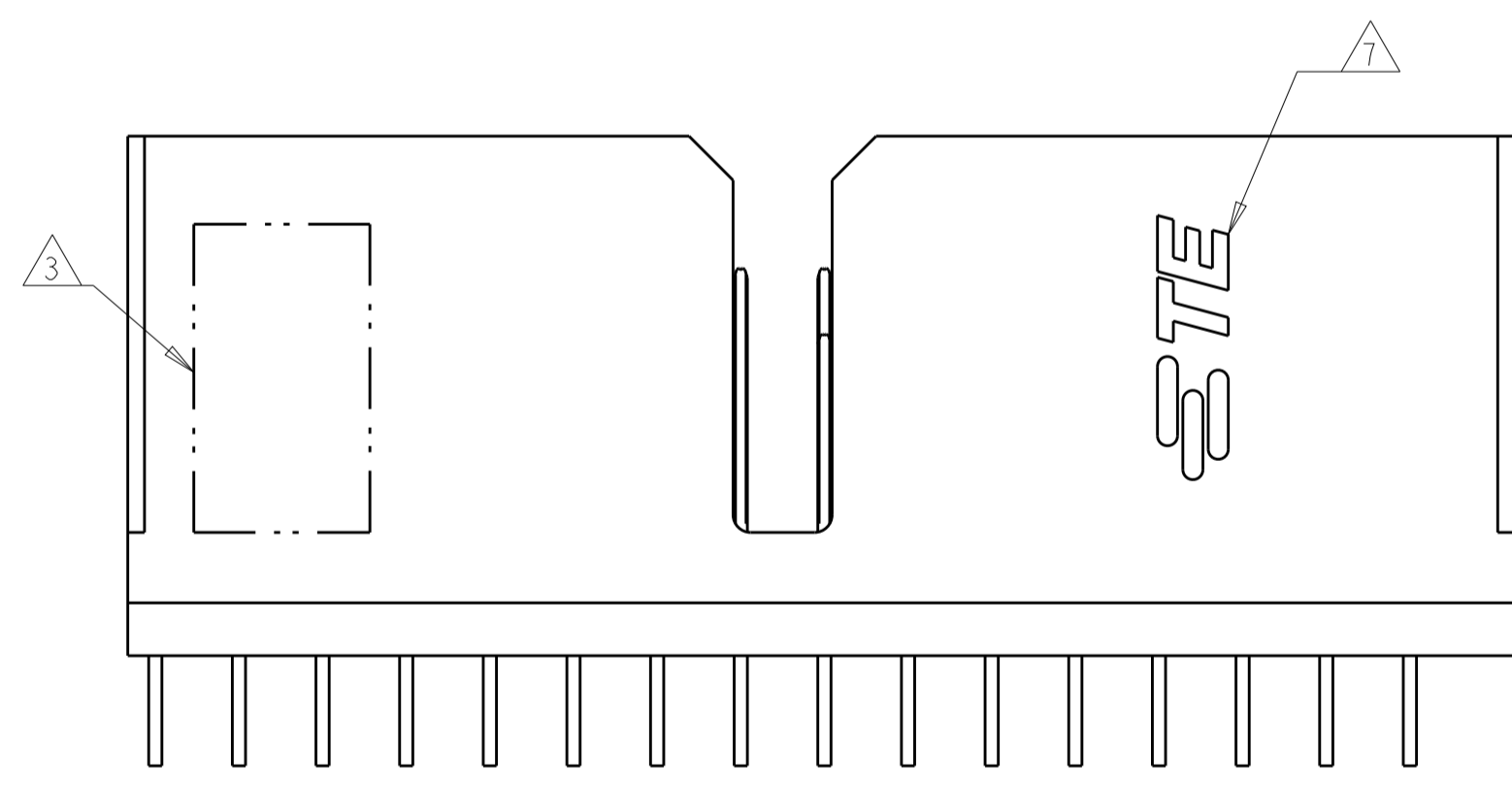
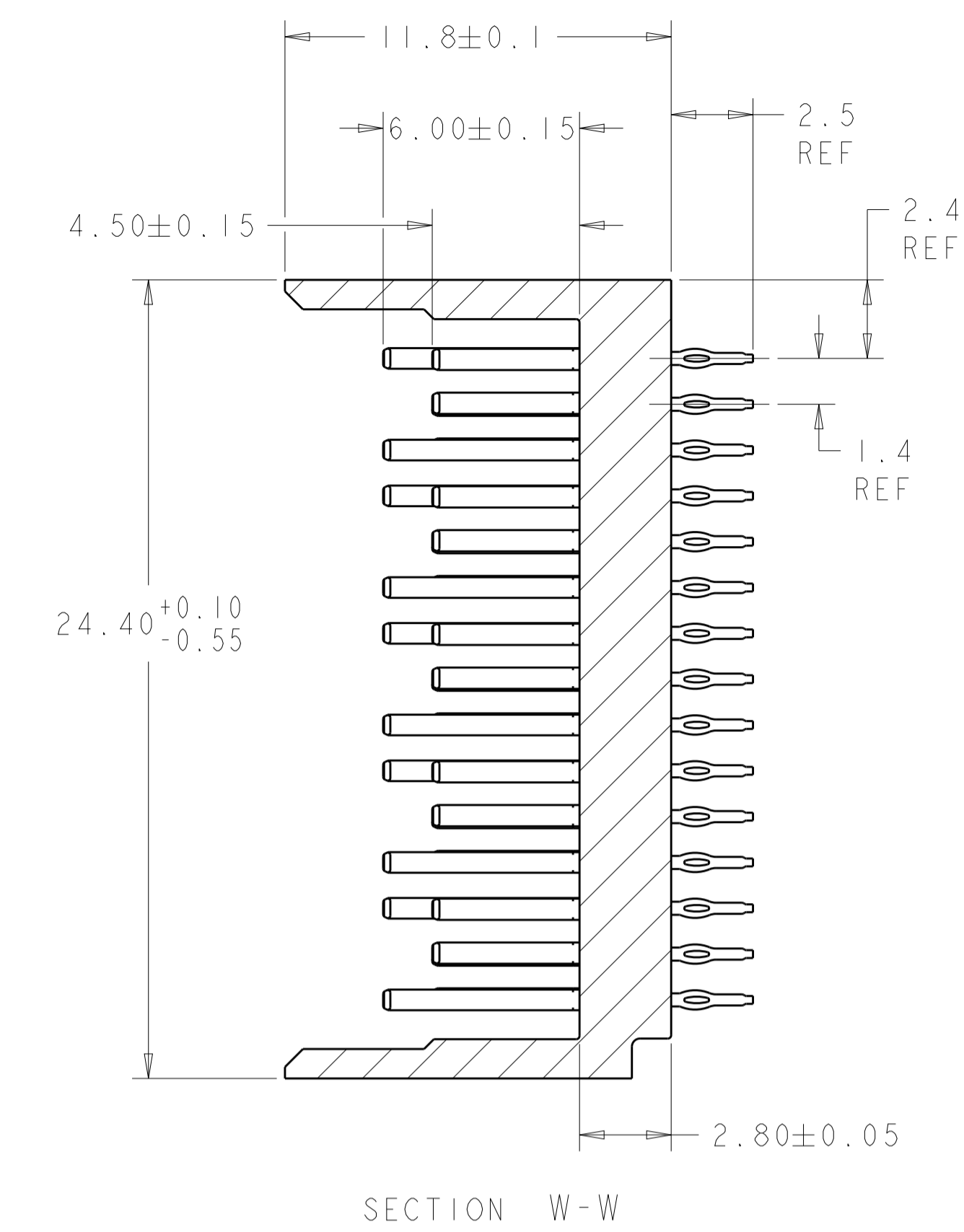
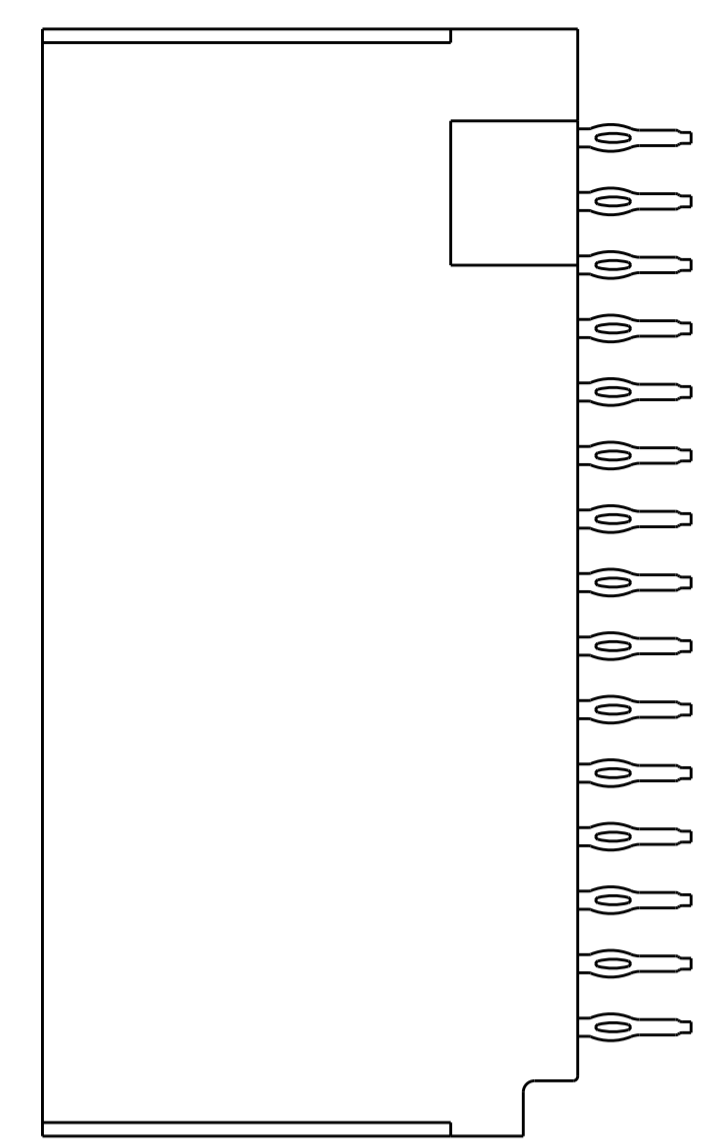
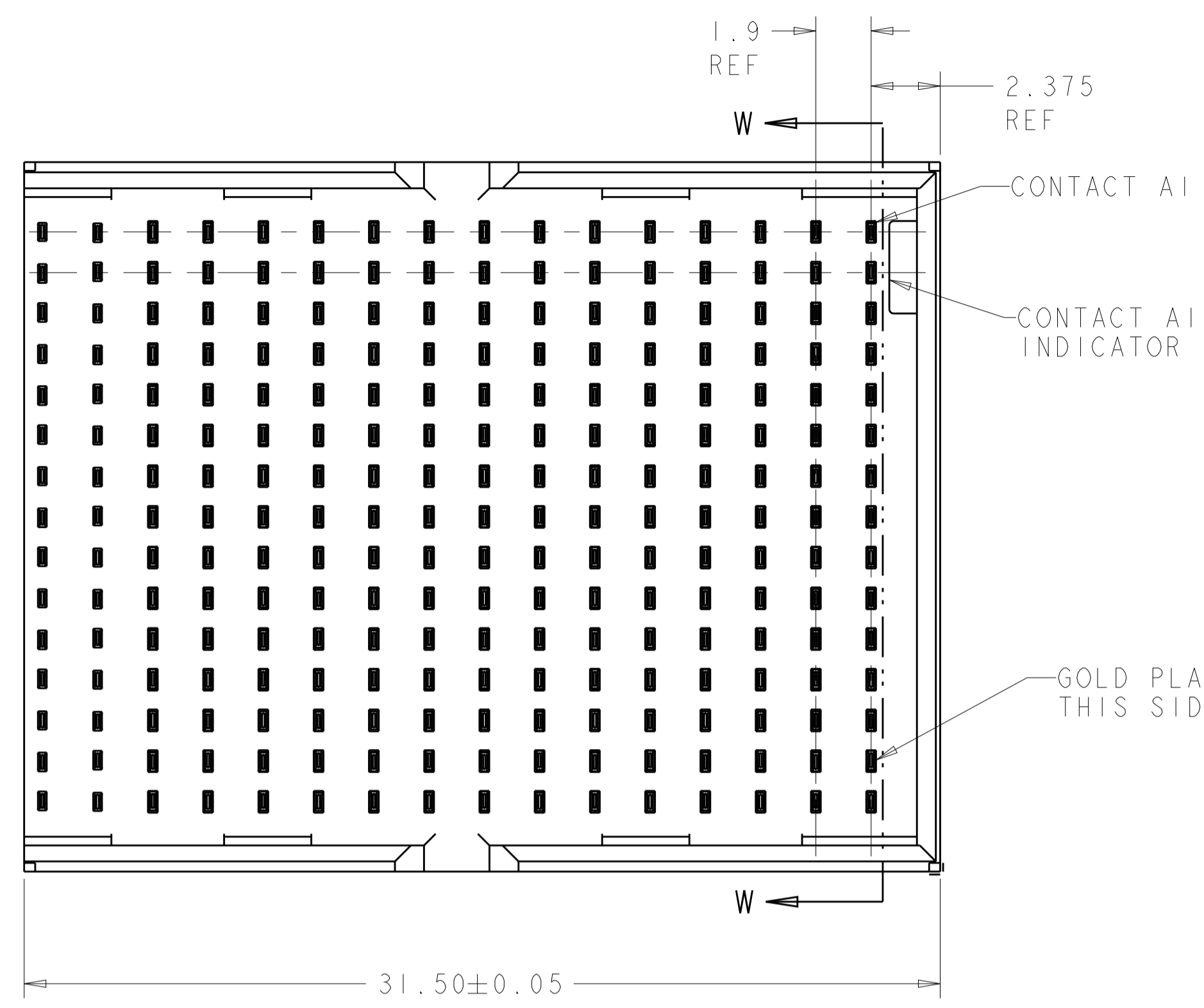


LOC		DIST		REVISIONS			
GP	00	REV	DATE	BY	CHK	APP	REV
F		REVISED PER ECO-13-010626	31JUL2013	KH		RP	
G		REVISED PER ECO-19-009248	04JUL2019	AP		SY	



- 1 MATERIAL:
CONTACT - PHOS BRONZE
HOUSING - LCP, UL 94V-0, COLOR - BLACK
- 2 FINISH:
CONTACT AREA FINISH CONFORMS TO THE REQUIREMENTS OF TE PRODUCT SPECIFICATION 108-2303; BASED ON TELCORDIA GR-1217-CORE FOR SYSTEM QUALITY LEVEL III, APPLICATIONS IN CONTROLLED ENVIRONMENTS (CENTRAL OFFICE).
COMPLIANT PIN AREA- 0.5µm MIN MATTE TIN OVER 1.27µm MIN NICKEL.
- 3 CONNECTOR MARKED WITH PART NUMBER, DATE CODE AND STANDARD IN APPROXIMATE AREA SHOWN
- 4 DATUMS AND BASIC DIMENSIONS ESTABLISHED BY CUSTOMER.
- 5. CONTACT AREA LUBRICATED WITH BELLCORE APPROVED LUBRICANT. TECHNICAL REFERENCE GR-1217-CORE, ISSUE 1, NOVEMBER 1995.
- 6 REFERENCE APPLICATION SPEC 114-13202 FOR RECOMMENDED PLATED THRU HOLE DIAMETER AND PLATING THICKNESSES.
- 7 SHOWN LOGO OR OTHER TE OWNED LOGOS IN APPROXIAMATE AREA.

○ = SIGNAL
 ⊗ = GROUND
 RECOMMENDED PC BOARD LAYOUT BACKPLANE,
 COMPONENT SIDE SHOWN
 SCALE 6:1

1934333-1
 PART NUMBER

THIS DRAWING IS A CONTROLLED DOCUMENT.		OWN B.MCMASTER 06JUN2007	NAME	HEATER ASSEMBLY, LEFT WALL, 5 PAIR 16 COLUMN TinMan
DIMENSIONS:		CHK W.DAVIS 06JUN2007	PRODUCT SPEC	
TOLERANCES UNLESS OTHERWISE SPECIFIED:		APVD W.DAVIS 06JUN2007	APPLICATION SPEC	SIZE A1
mm	0 PLC ± 1 PLC ± 2 PLC ± 3 PLC ± 4 PLC ± ANGLES ±	WEIGHT	CAGE CODE A100779	DRAWING NO C=1934333
MATERIAL	FINISH	CUSTOMER DRAWING	SCALE 6:1	SHEET 1 OF 1

单击下面可查看定价，库存，交付和生命周期等信息

[>>TE Connectivity\(泰科\)](#)