

4

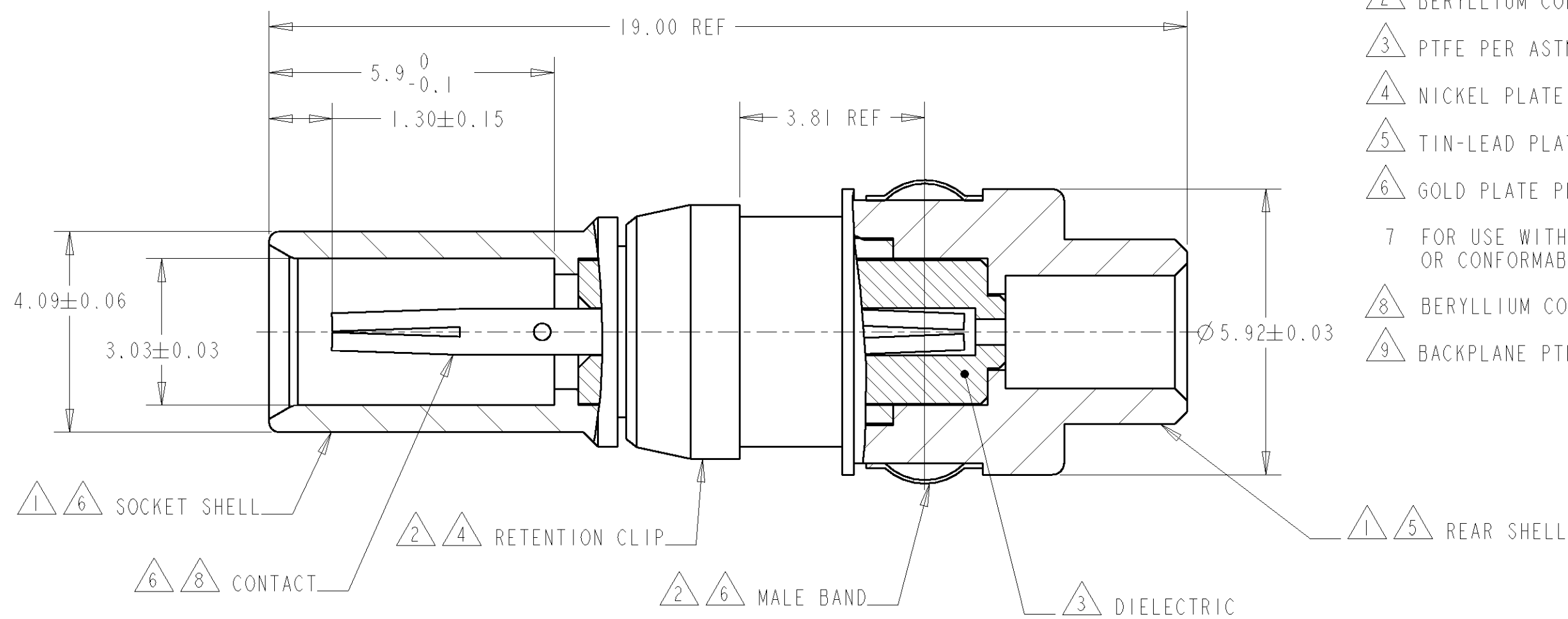
3

2

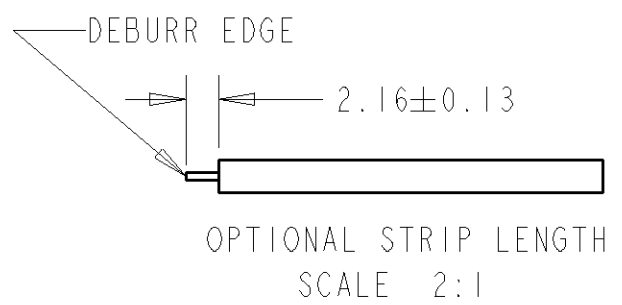
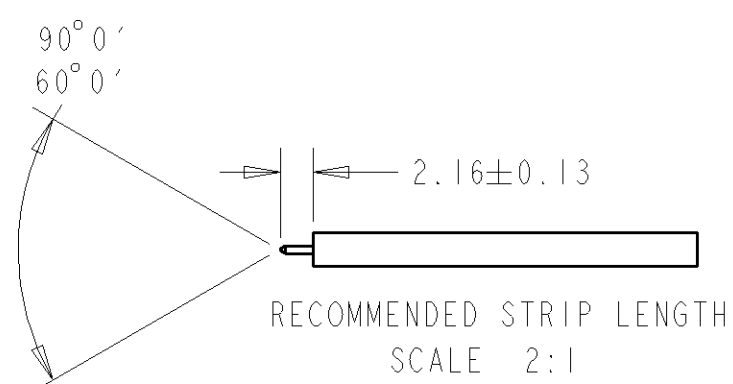
1

THIS DRAWING IS UNPUBLISHED. RELEASED FOR PUBLICATION .19 .
 © COPYRIGHT 19 BY AMP INCORPORATED. ALL RIGHTS RESERVED.

LOC	DIST	REVISIONS			
P	LTR	DESCRIPTION	DATE	DWN	APVD
AJ	16	0	RELEASE PER 0G30-0544-98	26FEB99	MO KW



- 1 BRASS PER ASTM-B-16
- 2 BERYLLIUM COPPER PER ASTM-B-194.
- 3 PTFE PER ASTM-D-1710.
- 4 NICKEL PLATE PER QQ-N-290.
- 5 TIN-LEAD PLATE PER MIL-T-10727.
- 6 GOLD PLATE PER MIL-G-45204.
- 7 FOR USE WITH: .086 SEMI-RIGID OR CONFORMABLE CABLE.
- 8 BERYLLIUM COPPER PER ASTM-B-196.
- 9 BACKPLANE PTH DIAMETER TO BE 6.04 ± .07.



1274220-1
PART NUMBER

<small>THIS DRAWING IS A CONTROLLED DOCUMENT FOR AMP INCORPORATED. IT IS SUBJECT TO CHANGE AND THE CONTROLLING ENGINEERING ORGANIZATION SHOULD BE CONTACTED FOR THE LATEST REVISION.</small>		DWN M. O'BRINE 26FEB99 CHK K. WEIDNER 26FEB99 APVD K. WEIDNER 26FEB99	AMP AMP Incorporated Harrisburg, PA 17105-3608
DIMENSIONS: mm	TOLERANCES UNLESS OTHERWISE SPECIFIED: 0 PLC ± 1 PLC ± 2 PLC ± 3 PLC ± 4 PLC ± ANGLES ±	PRODUCT SPEC - APPLICATION SPEC - WEIGHT -	NAME SOCKET, STRAIGHT, CABLE TYPE C
MATERIAL -	FINISH -	CUSTOMER DRAWING	SIZE A3 CAGE CODE 00779 DRAWING NO. C-1274220 SCALE 10:1 SHEET 1 OF 1 REV 0

单击下面可查看定价，库存，交付和生命周期等信息

[>>TE Connectivity\(泰科\)](#)