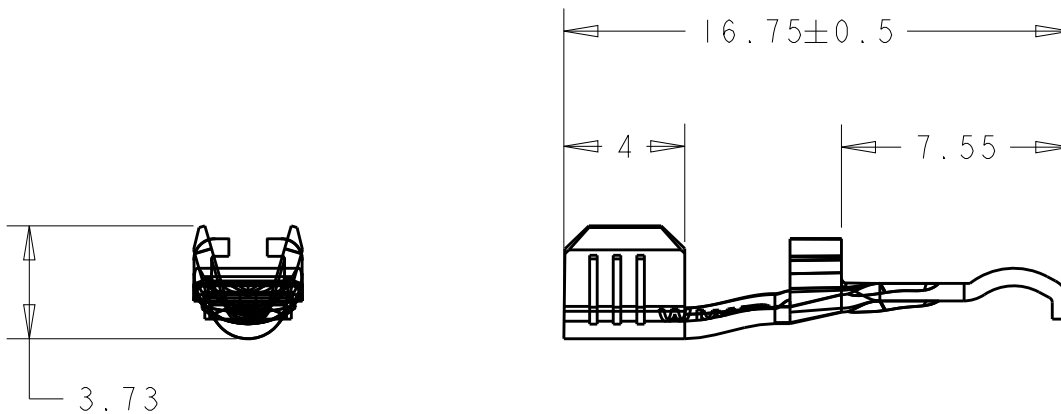
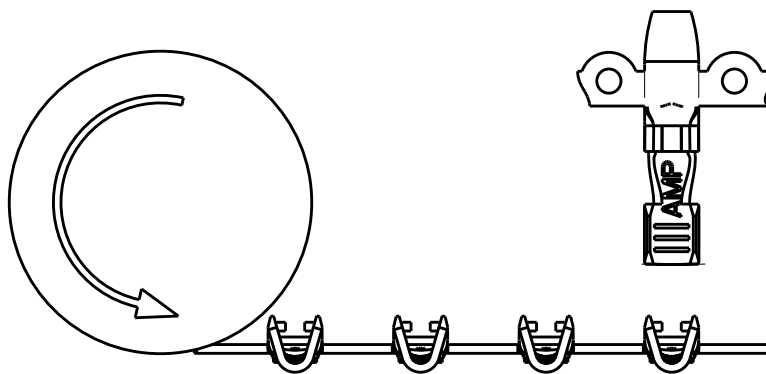


LOC	DIST	REVISIONS					
CM	0	P	LTR	DESCRIPTION	DATE	DWN	APVD
			B	OBSOLETE PER ECO-18-010313	26JUN2019	ML	SZ
			BI	REACTIVATE PN-1	20DEC2019	ML	SZ

THIS PRODUCT HAS PASSED VERIFICATION AND AGENCY APPROVALS TESTING AND IS COMPONENT RECOGNIZED PER UL 1977 AND CSA 22.2. TYCO ELECTRONICS PRODUCT QUALIFICATION TESTING IS NOT YET COMPLETE.



NOTES:
1. MATERIAL: HIGH CONDUCTIVE COPPER ALLOY.



OBSOLETE

TIN	1604113-2
SILVER	1604113-1
FINISH	PART NUMBER

METRIC

DIMENSIONS: mm	DWN B. HAYMAKER 11APR2002	MATERIAL -	FINISH -
TOLERANCES UNLESS OTHERWISE SPECIFIED:	CHK K. KETELSLEGER 11APR2002	Tyco Electronics Harrisburg, PA 17105-3608	
0 PLC ±1 1 PLC ±0.5 2 PLC ±0.30 3 PLC ±0.150 4 PLC ± ANGLES ±5°	APVD K. KETELSLEGER 11APR2002	NAME AMP POWER 15 CONTACT CRIMPED WITH 16/18/20 AWG	
	PRODUCT SPEC 108-2149	SIZE A4	RESTRICTED TO
	APPLICATION SPEC 114-13127	CAGE CODE 00779	DRAWING NO C-1604113
	WEIGHT -	CUSTOMER DRAWING	
		SCALE 4:1	SHEET 1 OF 1 REV B1

单击下面可查看定价，库存，交付和生命周期等信息

[>>TE Connectivity\(泰科\)](#)