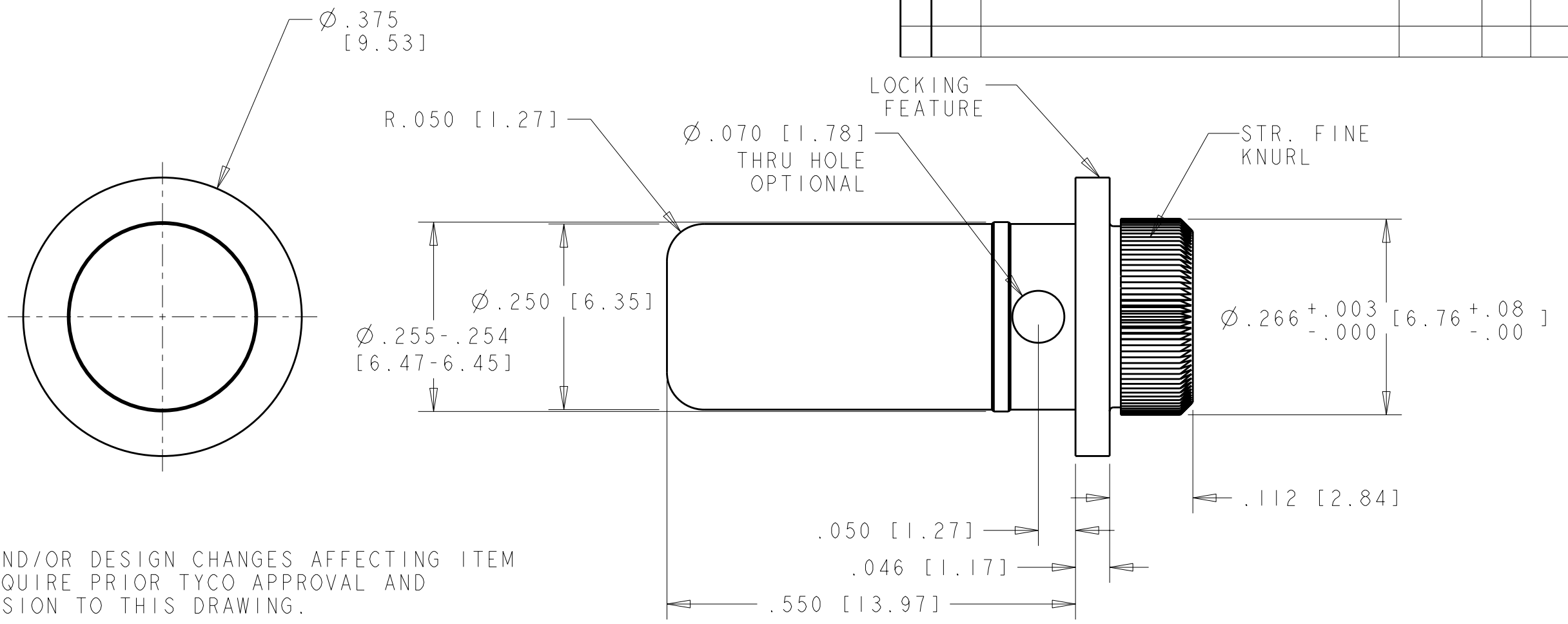


THIS DRAWING IS UNPUBLISHED. RELEASED FOR PUBLICATION 20
 © COPYRIGHT 20 BY TYCO ELECTRONICS CORPORATION. ALL RIGHTS RESERVED.

LOC	DIST	REVISIONS			
P	LTR	DESCRIPTION	DATE	DWN	APVD
GP	00				
		D REVISED PER ECR-07-009904	01MAY2007	GIP	DO
		E REV PER ECO-08-000614	14JAN2008	RG	DO



- PART NUMBER CHANGES AND/OR DESIGN CHANGES AFFECTING ITEM INTERCHANGEABILITY REQUIRE PRIOR TYCO APPROVAL AND AUTHORIZATION BY REVISION TO THIS DRAWING.
- ITEMS PROVIDED TO THIS SPECIFICATION SHALL BE IDENTIFIED ON THE CONTAINER WITH THE FOLLOWING INFORMATION:
PART NUMBER & DATE CODE OF MANUFACTURE.

- 3 MATERIAL: COPPER ALLOY
- 4 FINISH: SILVER PLATED .00020 MIN THICK OVER NICKEL .000050 MIN THICK.

1766853-1
PART NUMBERS

<small>THIS DRAWING IS A CONTROLLED DOCUMENT FOR TYCO ELECTRONICS CORPORATION IT IS SUBJECT TO CHANGE AND THE CONTROLLING ENGINEERING ORGANIZATION SHOULD BE CONTACTED FOR THE LATEST REVISION.</small>		DWN G.PETERS 01MAY2007 CHK D.ORRIS 01MAY2007 APVD S.FLICKINGER 01MAY2007		Tyco Electronics Harrisburg, PA 17105-3608	
DIMENSIONS: INCHES		TOLERANCES UNLESS OTHERWISE SPECIFIED: 0 PLC ±- 1 PLC ±- 2 PLC ±.02[.5] 3 PLC ±.010[.25] 4 PLC ±- ANGLES ±.5		NAME PIN CONTACT, SIZE LOCKING STYLE, PRESS FIT	
MATERIAL 3		FINISH 4		PRODUCT SPEC - APPLICATION SPEC - WEIGHT -	
ELCON CONTACTS		CUSTOMER DRAWING		SIZE A3 CAGE CODE 00779 DRAWING NO C-1766853 RESTRICTED TO -	
AMP 1470-19 REV 31MAR2000		Downloaded From Onevac.com		SCALE : OF REV E	

单击下面可查看定价，库存，交付和生命周期等信息

[>>TE Connectivity\(泰科\)](#)