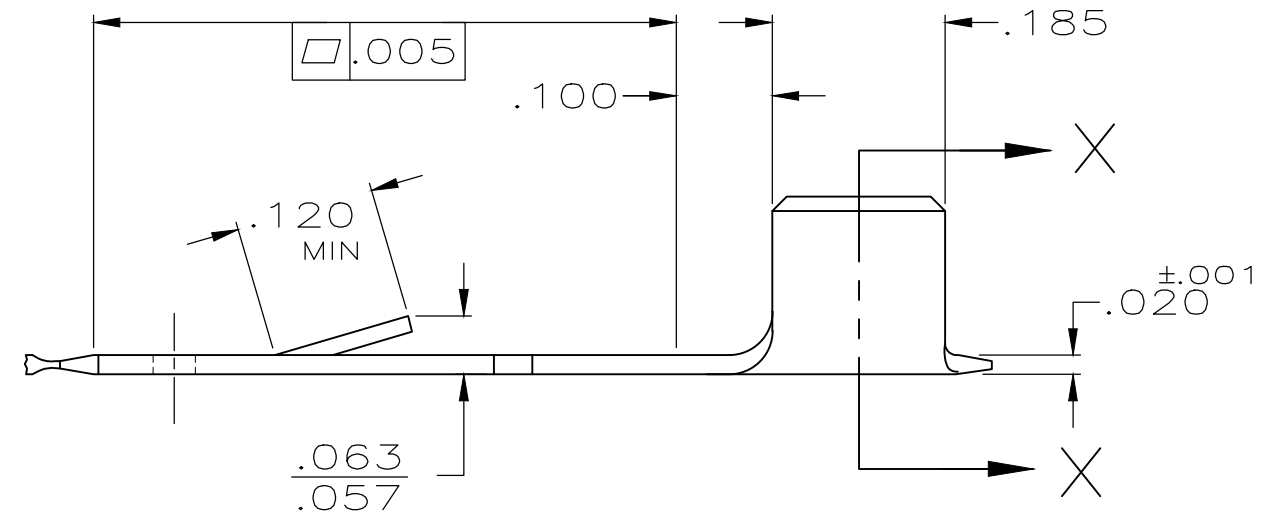
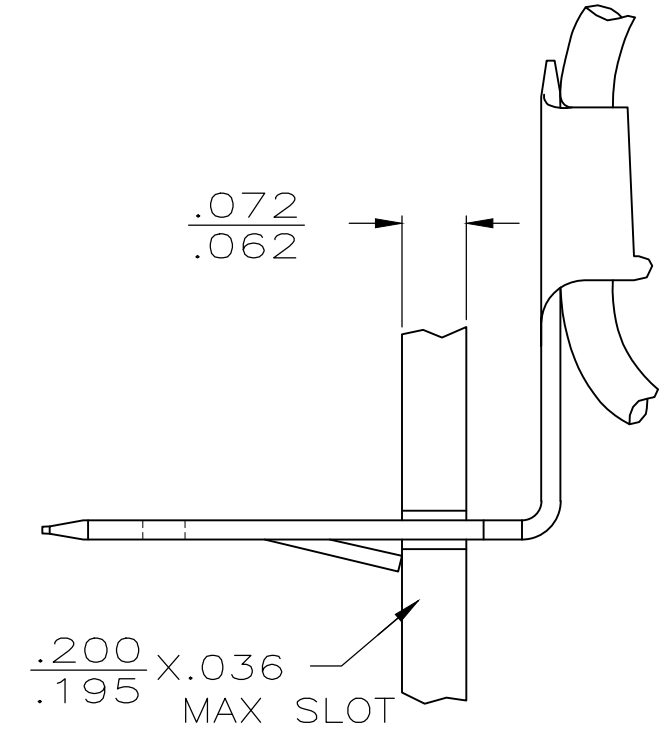
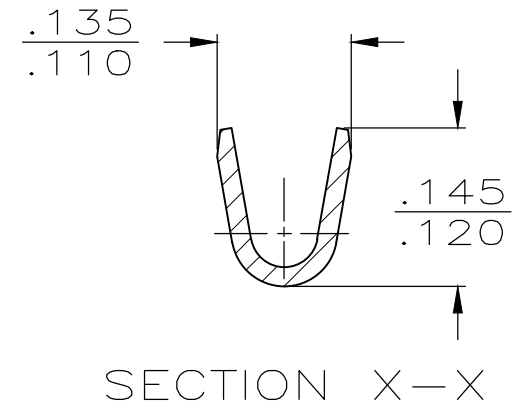
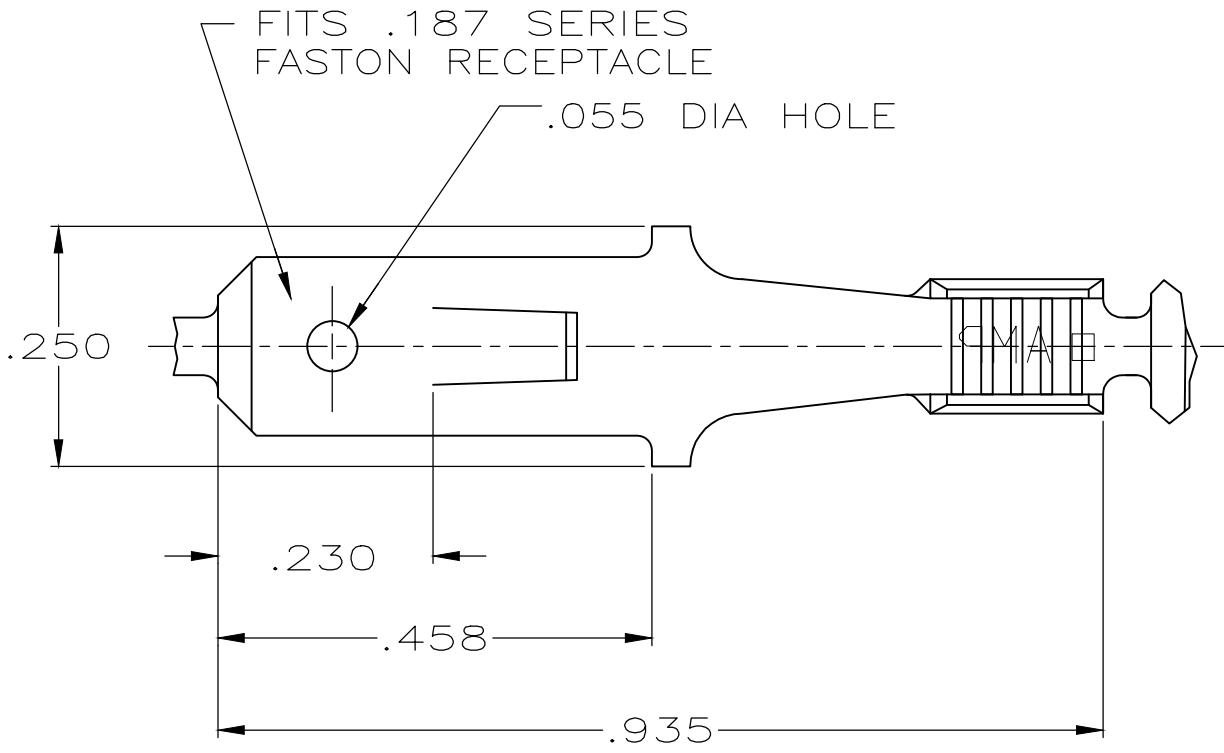


THIS DRAWING IS UNPUBLISHED. RELEASED FOR PUBLICATION
 © COPYRIGHT - By - ALL RIGHTS RESERVED.

LOC	DIST	REVISIONS			
P	LTR	DESCRIPTION	DATE	DWN	APVD
AF	50	T1	REVISED PER ECR-20-005366	21APR2020	SS DL

- 1 CONTINUOUS STRIP ON REEL.
- 2 REVERSE REEL OF 61441-2.
- 3 OBSOLETE PARTS: OBSOLETE CIS STREAMLINING PER D.RENAUD/D.SINISI



—INSTALLED VIEW—
TO BE BENT BY CUSTOMER

3 OBSOLETE OBSOLETE SUPERSEDED	21-16 AWG	-	2 -61441-4-
		TIN	2 -61441-3-
		TIN	61441-2
		PRE-TIN	61441-1
	MAG WIRE SIZE	FINISH	PART NO

THIS DRAWING IS A CONTROLLED DOCUMENT.		DWN	JR RUTH	1/25/91	TE Connectivity TAB, FASTON,™AMPLIVAR,™ .187 SERIES				
DIMENSIONS: INCHES		CHK	MS FEHER	1/28/91				NAME	
TOLERANCES UNLESS OTHERWISE SPECIFIED:		APVD	C MEYERS	1/28/91				PRODUCT SPEC	
0 PLC ± - 1 PLC ± - 2 PLC ± - 3 PLC ± .015 4 PLC ± - ANGLES ± -		APPLICATION SPEC		RESTRICTED TO					
MATERIAL	BRASS	FINISH	SEE TABLE	WEIGHT	-	SIZE	A3		
				CAGE CODE	00779	DRAWING NO	C-61441		
				CUSTOMER DRAWING	SCALE	5:1	SHEET 1 OF 1		
				REV	T1				

单击下面可查看定价，库存，交付和生命周期等信息

[>>TE Connectivity\(泰科\)](#)