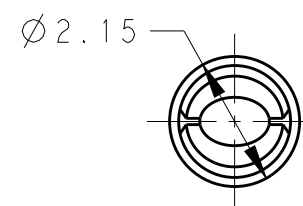
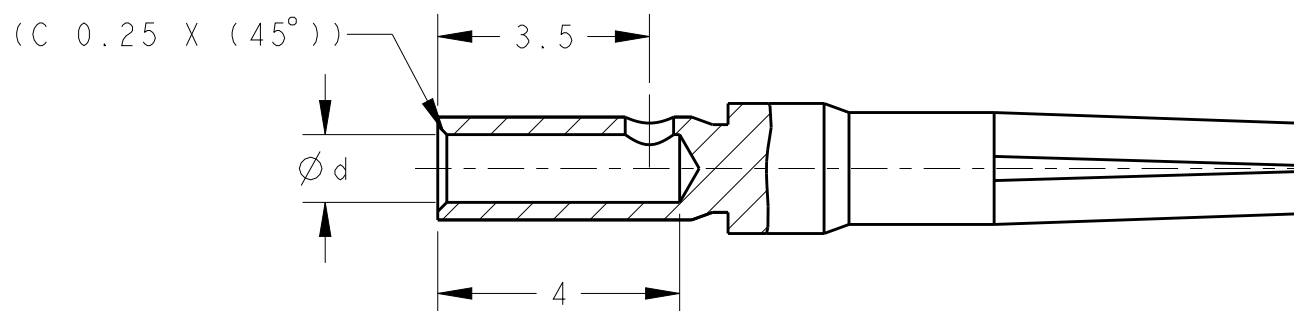
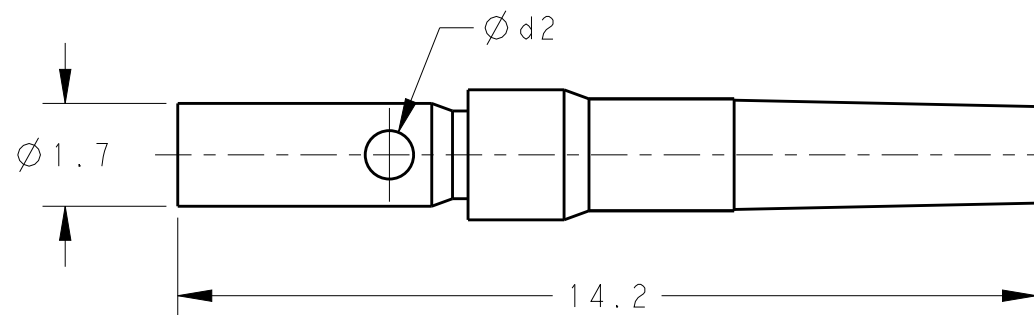
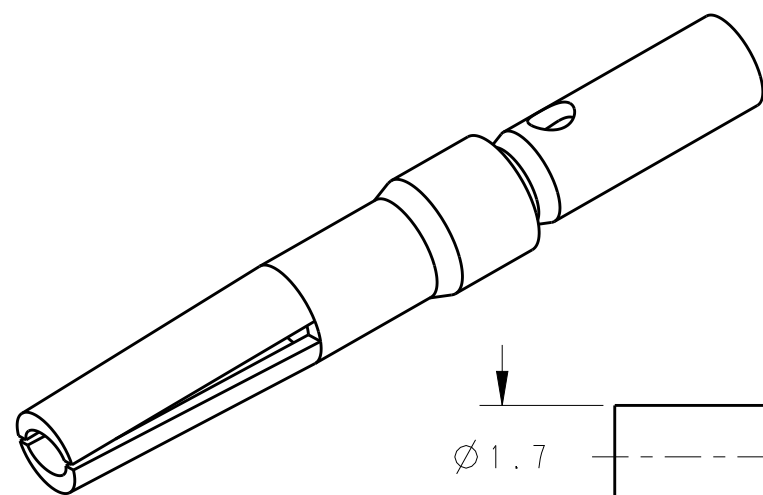


THIS DRAWING IS UNPUBLISHED. RELEASED FOR PUBLICATION 20  
 © COPYRIGHT 20 BY - ALL RIGHTS RESERVED.

REVISIONS

P	LTR	DESCRIPTION	DATE	DWN	APVD
	A	INITIAL	15MAY2015	DW	CW
	A1	ECR-16-002757	24FEB2016	RL	CW
	A2	ECR-21-000654	26JAN2021	BS	CW



NOTES:

- 1. TECHNICAL CHARACTERISTICS:  
 CONTACT MATERIAL: BRASS  
 SURFACE PLATING:  
 SILVER PLATING:  $\geq 2\mu\text{m}$   
 GOLD PLATING:  $\geq 0.75\mu\text{m}$   
 WIRE RANGE: 0.08-0.52 mm<sup>2</sup> (28-20 AWG)  
 OPERATION TEMPERATURE: -40-+125°C

注释:

- 1. 技术参数:  
 公针材料: 黄铜  
 表面电镀:  
 镀银:  $\geq 2\mu\text{m}$   
 镀金:  $\geq 0.75\mu\text{m}$   
 接线范围: 0.08-0.52 mm<sup>2</sup> (28-20 AWG)  
 工作温度: -40-+125°C

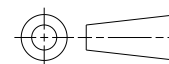
	PART NUMBER AFTER PLATING 电镀后料号				$\phi d$	$\phi d2$	WIRE GAUGE 线规		STRIPPING LENGTH 剥线长度 (mm)
	SILVER PLATING 镀银		GOLD PLATING 镀金				MM <sup>2</sup>	AWG	
SOCKET CONTACT 母针	CAF-08	T2070002008-000	DAF-08	T2070012008-000	0.7	0.6	0.08-0.21	28-24	4.0
	CAF-13	T2070002013-000	DAF-13	T2070012013-000	0.9	0.8	0.13-0.33	26-22	
	CAF-33	T2070002033-000	DAF-33	T2070012033-000	1.12	0.8	0.33-0.52	22-20	

THIS DRAWING IS A CONTROLLED DOCUMENT.

DWN 15MAY2015  
David Wang  
 CHK 15MAY2015  
Chris Wang  
 APVD 15MAY2015  
Xiang Xu



DIMENSIONS:  
mm



TOLERANCES UNLESS OTHERWISE SPECIFIED:  
 0 PLC  $\pm$ -  
 1 PLC  $\pm$ -  
 2 PLC  $\pm$ -  
 3 PLC  $\pm$ -  
 4 PLC  $\pm$ -  
 ANGLES  $\pm$ -

PRODUCT SPEC 108-137064  
 APPLICATION SPEC 114-137064  
 WEIGHT -

NAME CAF/DAF  
D-SUB SOCKET CONTACT

SIZE A3 CAGE CODE 00779 DRAWING NO. T20700X20XX000 RESTRICTED TO -

MATERIAL - FINISH -

Customer Drawing SCALE 8:1 SHEET 1 OF 1 REV A2

单击下面可查看定价，库存，交付和生命周期等信息

[>>TE Connectivity\(泰科\)](#)