

4

3

2

1

THIS DRAWING IS UNPUBLISHED.

RELEASED FOR PUBLICATION

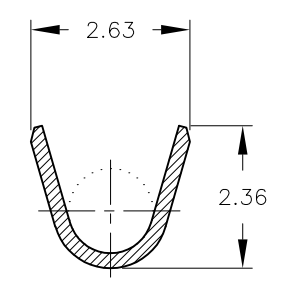
LOC DIST

REVISIONS

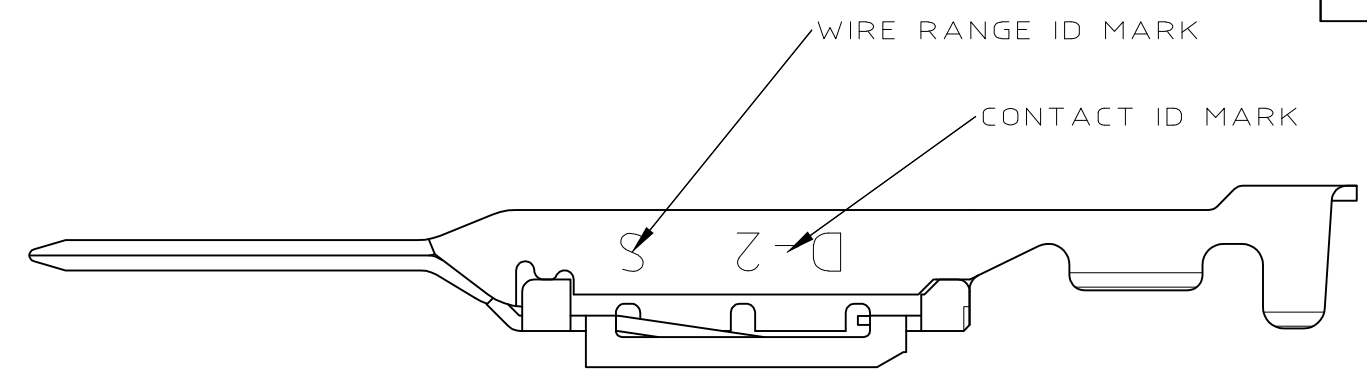
© COPYRIGHT -

ALL RIGHTS RESERVED.

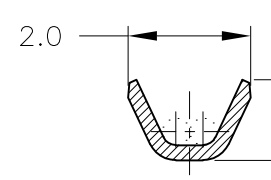
P	LTR	DESCRIPTION	DATE	DWN	APVD
	C1	REVISED PER ECO-11-005030	22MAR11	RK	HMR



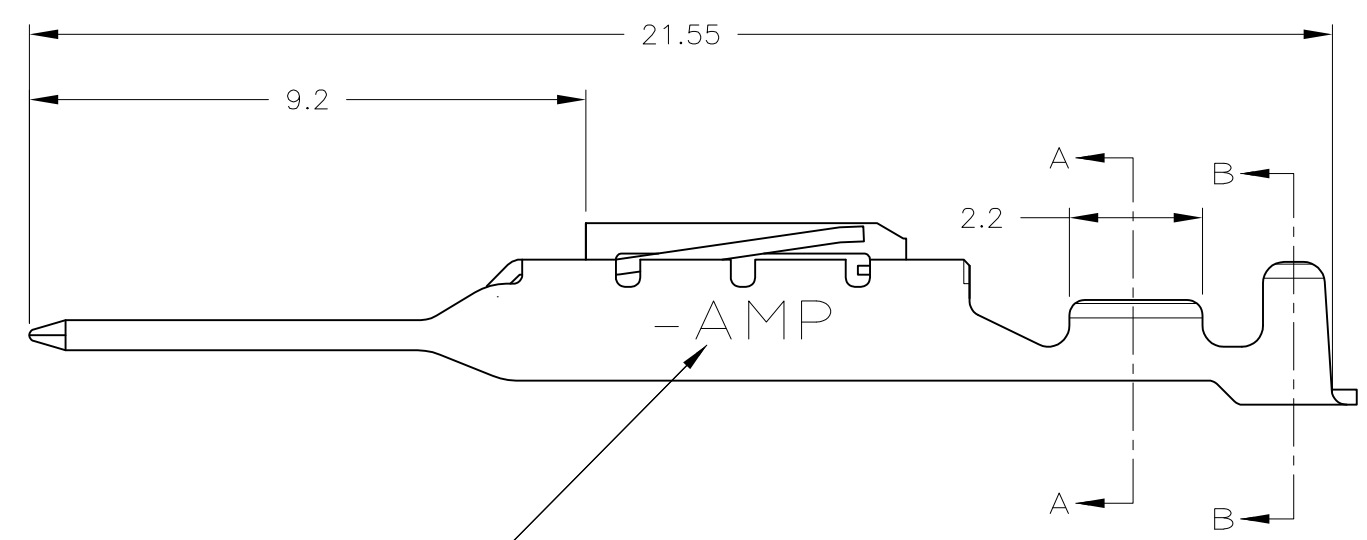
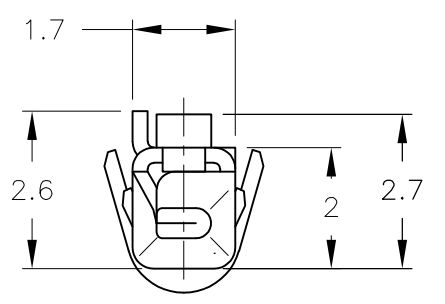
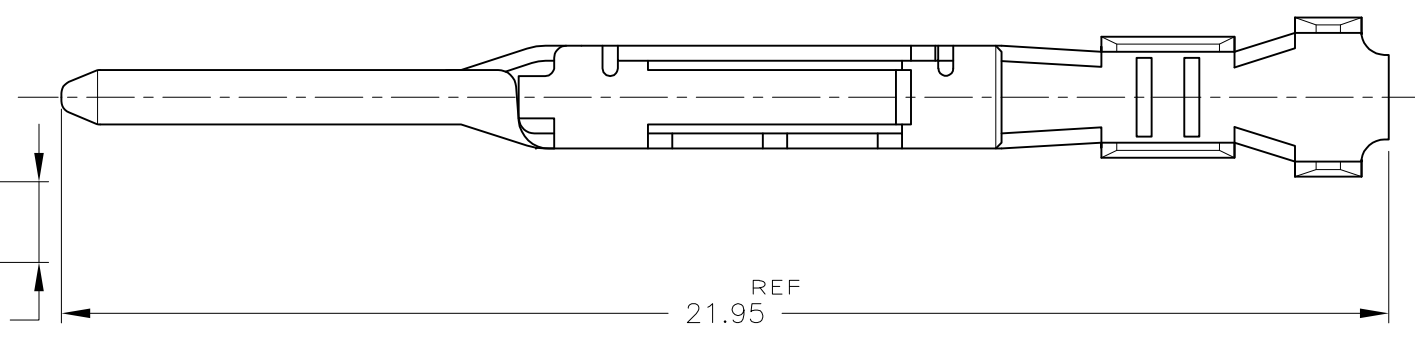
SECT B-B



-1:AS SHOWN



SECT A-A



AMP MARK

NOTES

- 1. FINISH(CONTACT AREA):0.38μmMIN GOLD PLATING OVER Ni PLATING

DIMENSIONS: mm		TOLERANCES UNLESS OTHERWISE SPECIFIED		DWN K.IKEDA 7/DEC/'98
		±0.3 >10 : ±0.35 >30 : ±0.4 ANGLE : ±3'		CHK N.MATSUBARA 7/DEC/'98
		MATERIAL (COPPER ALLOY)		APVD I.HASEGAWA 7/DEC/'98
FINISH SEE NOTE		PRODUCT SPEC 108-5619		NAME TE Connectivity
		APPLICATION SPEC 114-5258		SIZE A3
		WEIGHT CUSTOMER DRAWING		CAGE CODE 00779
				DRAWING NO C-1318112
				RESTRICTED TO -
				SCALE 8-1
				SHEET 1 OF 1
				REV C1

WIRE RANGE AWG #28~#24		INSULATION DIA 0.88~1.5	
TAB CONTACT "S" SIZE, L/P <DYNAMIC D-2 SERIES>			
SIZE	CAGE CODE	DRAWING NO	RESTRICTED TO
A3	00779	C-1318112	-
SCALE		SHEET	REV
8-1		1 OF 1	C1

单击下面可查看定价，库存，交付和生命周期等信息

[>>TE Connectivity\(泰科\)](#)

[>>点击查看相关商品](#)