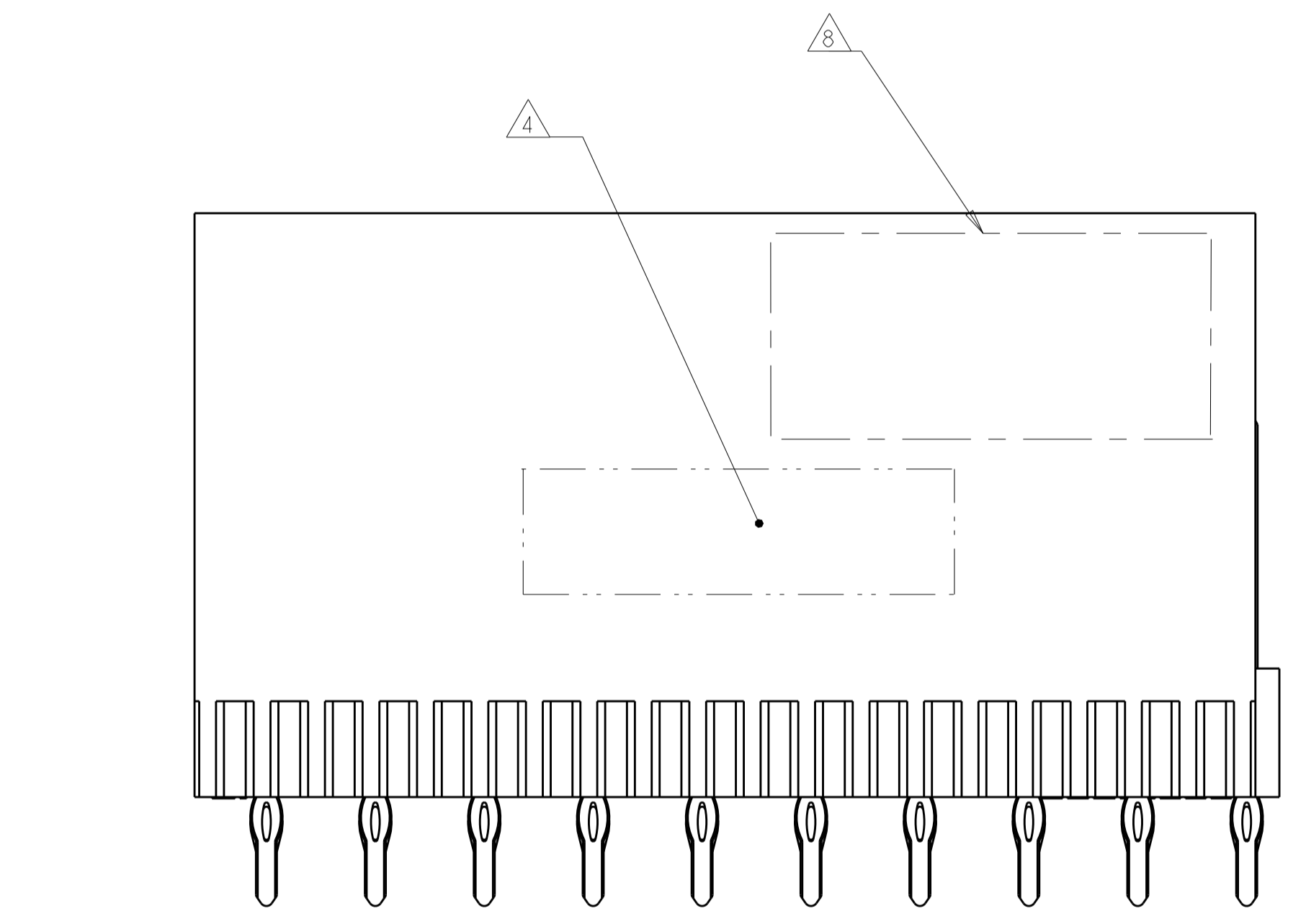
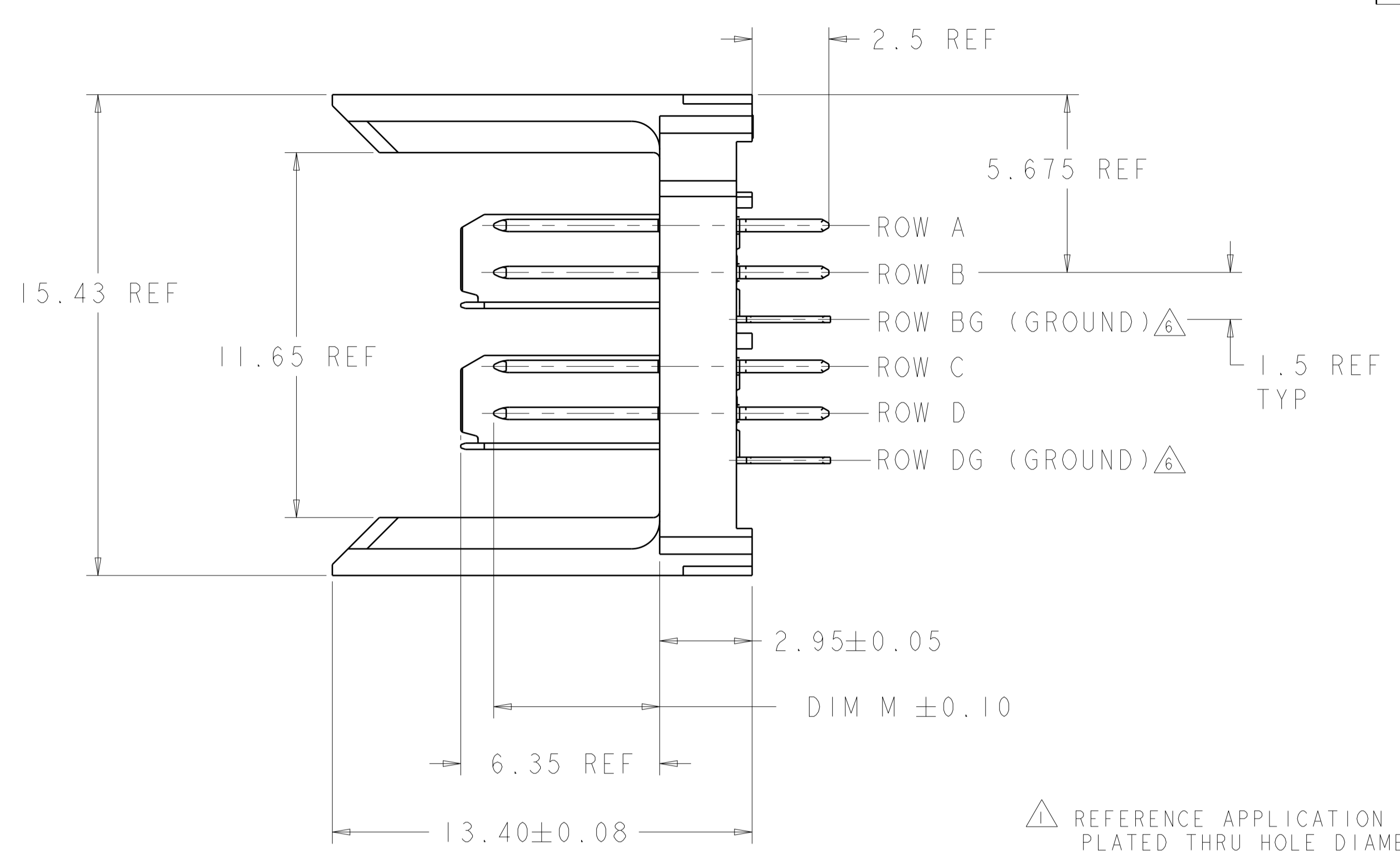
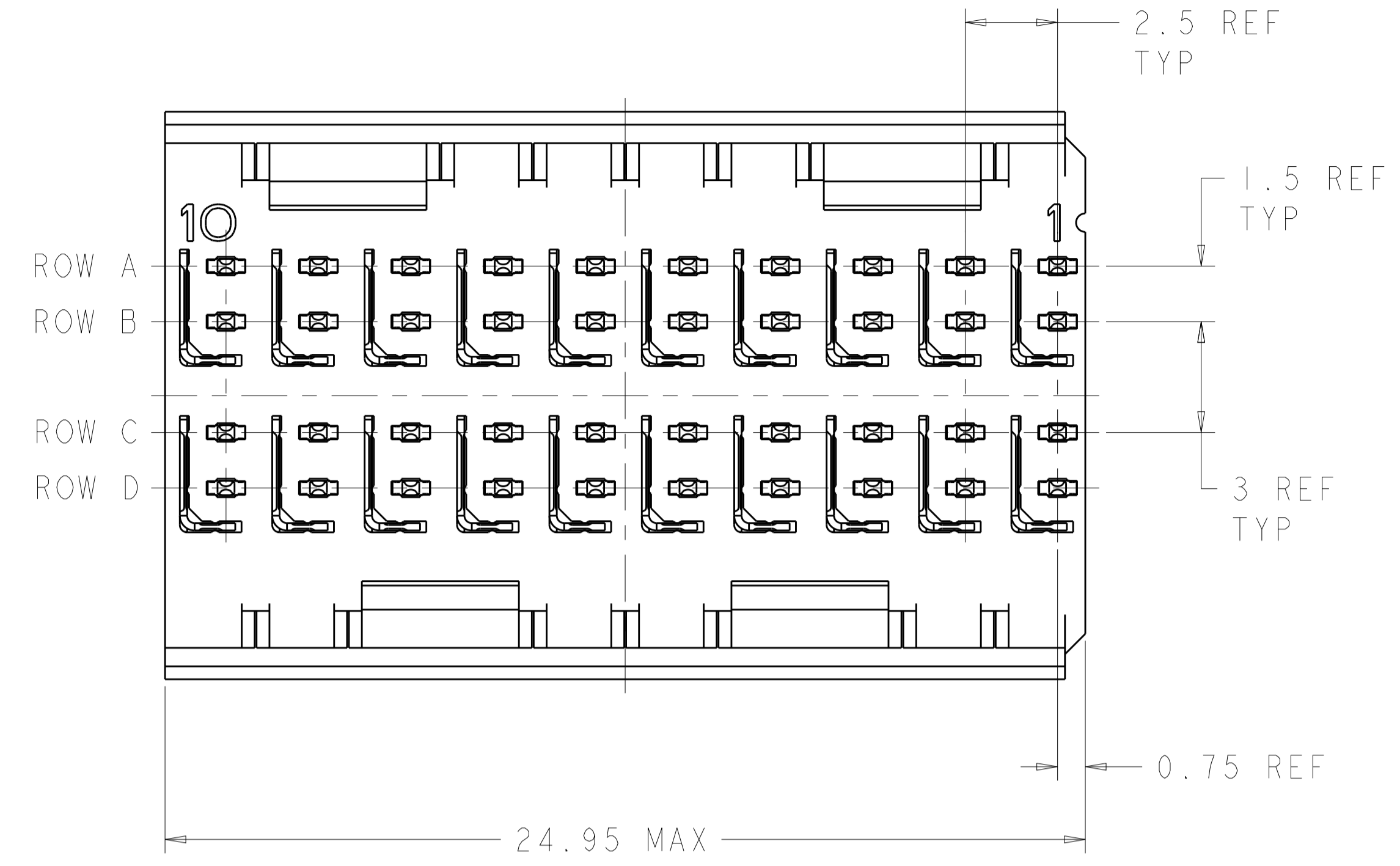
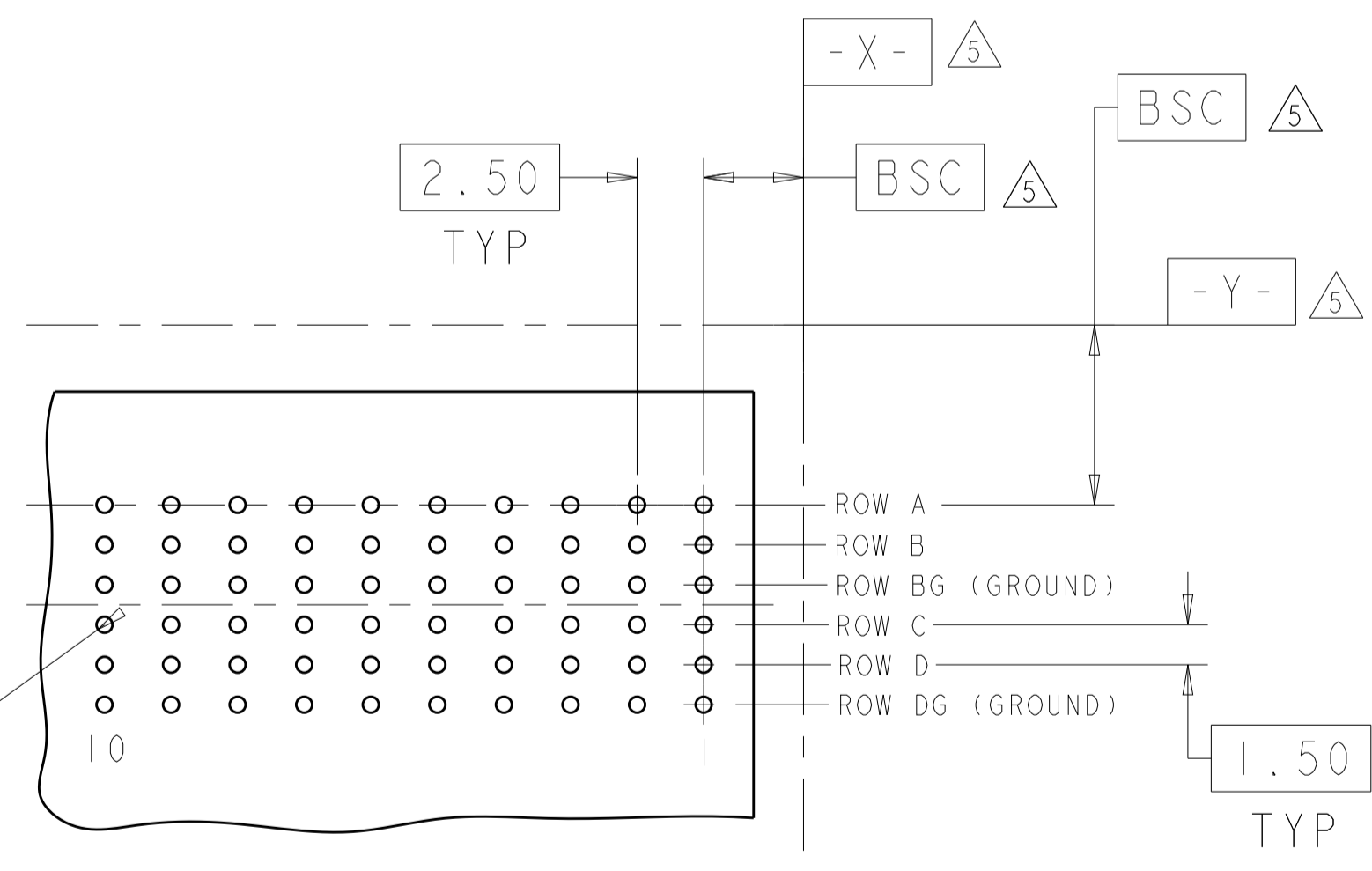


LOC	DIST	REVISIONS			
P	LTN	DESCRIPTION	DATE	DWN	APVD
B		REVISED PER ECO-12-000118	17JAN12	KH	DY
C		REVISED PER ECO-18-018129	25SEP2019	AP	DS



⊕ ∅0.05Ⓢ X Y  
 ALL PLATED THRU HOLES



RECOMMENDED PC BOARD LAYOUT, BACKPLANE, COMPONENT SIDE SHOWN  
 SCALE 4:1

- △ REFERENCE APPLICATION SPEC 114-13059 FOR RECOMMENDED PLATED THRU HOLE DIAMETER AND PLATING THICKNESSES.
- △ MATERIAL:  
 CONTACT AND SHIELD - PHOSPHOR BRONZE  
 HOUSING - GLASS FILLED POLYESTER. UL 94V-0.
- △ FINISH: SIGNAL AND GROUND CONTACTS:  
 MATING AREA: MEETS THE PERFORMANCE REQUIREMENTS OF PRODUCT SPECIFICATION 108-2055; BASED ON TELCORDIA GR-1217-CORE, APPLICATIONS IN UNCONTROLLED ENVIRONMENTS  
 COMPLIANT PIN AREA: 0.5 μm MIN MATTE TIN OVER BASE PLATING
- △ CONNECTOR MARKED WITH PART NUMBER AND DATE CODE.
- △ DATUMS AND BASIC DIMENSIONS ESTABLISHED BY CUSTOMER.
- △ THE TWO GROUNDS IN EACH COLUMN ARE COMMONED.
- 7. CONTACT AREA LUBRICATED WITH BELLCORE APPROVED LUBRICANT. TECHNICAL REFERENCE: GR-1217-CORE, ISSUE 1, NOVEMBER 1995.
- △ TE OR TE CONNECTIVITY LOGO IS LOCATED.

3.80	6469025-2
5.30	6469025-1
DIM M	PART NUMBER

THIS DRAWING IS A CONTROLLED DOCUMENT.		DWN S. J. MAGARO 17JUN2004	TE Connectivity
DIMENSIONS: mm		CHK R. A. PATTERSON 17JUN2004	
TOLERANCES UNLESS OTHERWISE SPECIFIED:		APVD R. PATTERSON 16AUG2007	NAME: HEADER ASSEMBLY, 2 PAIR, 2.5mm TAIL, 25mm, HMZd
0 PLC ±		PRODUCT SPEC	
1 PLC ±		APPLICATION SPEC	SIZE: CAGE CODE: DRAWING NO: RESTRICTED TO
2 PLC ±		WEIGHT	A100779C=6469025
3 PLC ±		CUSTOMER DRAWING	SCALE 8:1 SHEET 1 OF 1 REV C
4 PLC ±			
ANGLES ±			
FINISH			

单击下面可查看定价，库存，交付和生命周期等信息

[>>TE Connectivity\(泰科\)](#)