

4

3

2

1

THIS DRAWING IS UNPUBLISHED.

RELEASED FOR PUBLICATION

. SEP 2007

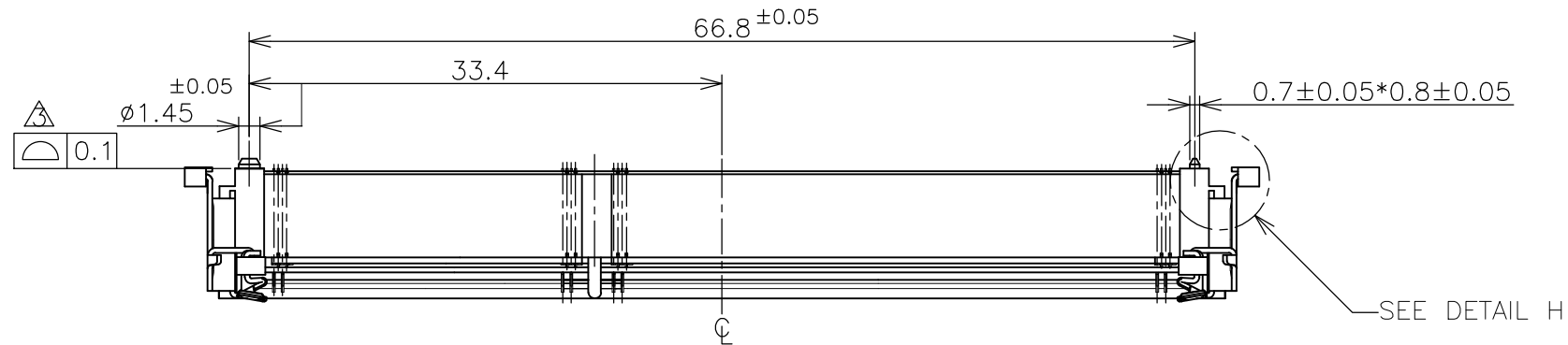
ALL RIGHTS RESERVED.

© COPYRIGHT 2007 By -

LOC
JDIST
/

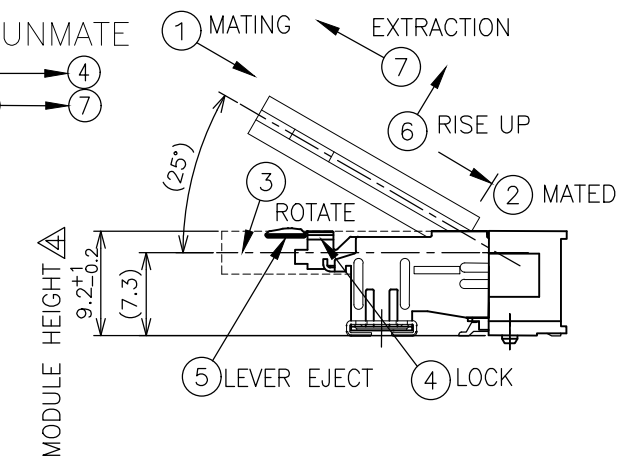
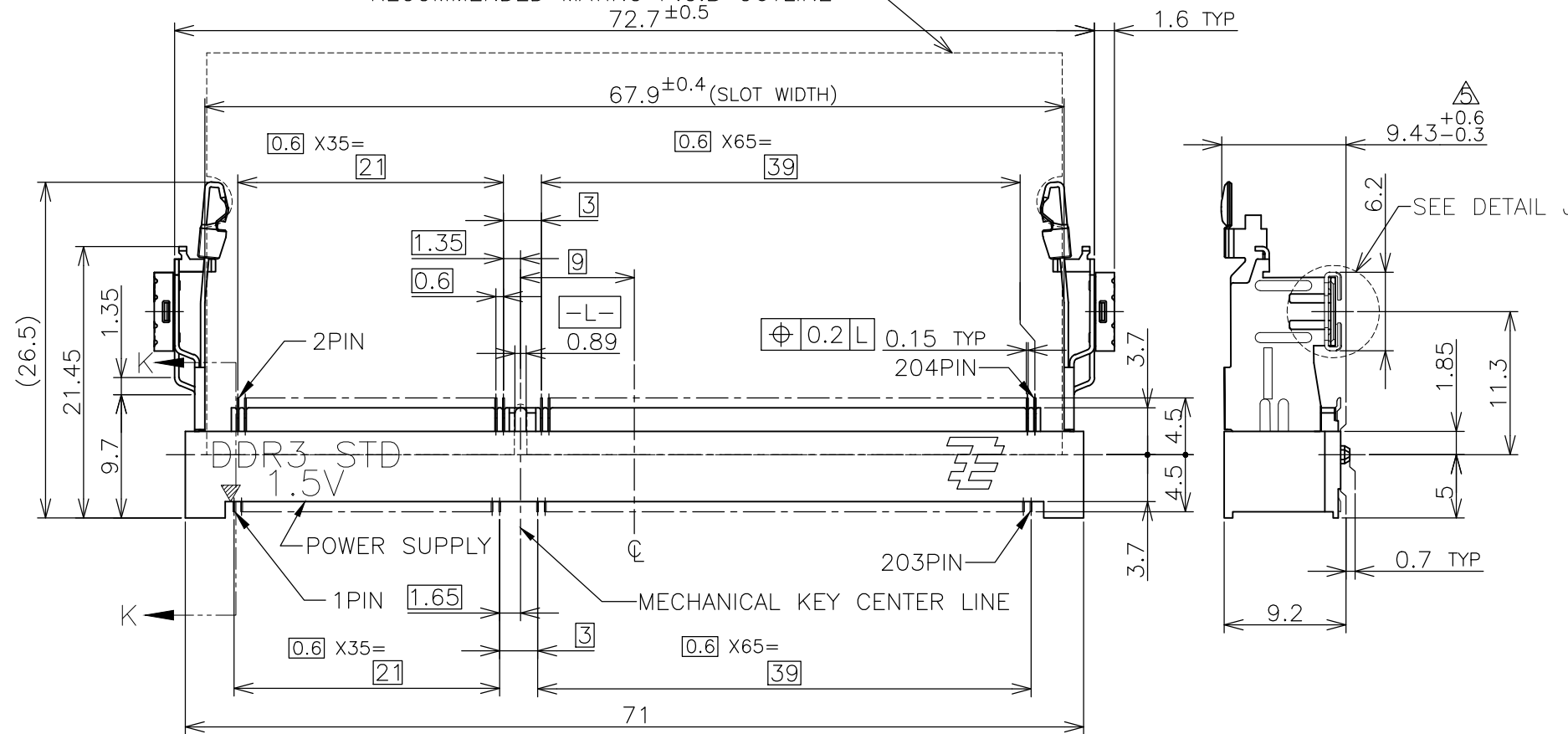
REVISIONS

P	LTR	DESCRIPTION	DATE	DWN	APVD
	D1	REVISED PER ECR-20-005200	08APR2020	D.Z	S.L



HOW TO MATE AND UNMATE

MATE: ① → ④
UNMATE: ⑤ → ⑦

RECOMMENDED MATING P.C.B OUTLINE
72.7 ±0.5

(APPLIED TO SHEET 1-2)

1. MATERIAL ; HOUSING: HIGH TEMPERATURE THERMO PLASTIC UL94V-0
COLOR: SEE TABLE
CONTACT: COPPER ARROY
LOCK LEVER: STAINLESS STEEL
PEG: COPPER ARROY

2-1. FINISH ; CONTACT AREA: GOLD FLASH
ALL OVER NICKEL.
SOLDERING AREA: GOLD FLASH PLATING
PEG: TIN PLATING.

2-2. FINISH ; CONTACT AREA: 0.000254MIN GOLD
ALL OVER NICKEL.
SOLDERING AREA: GOLD FLASH PLATING
PEG: TIN PLATING.

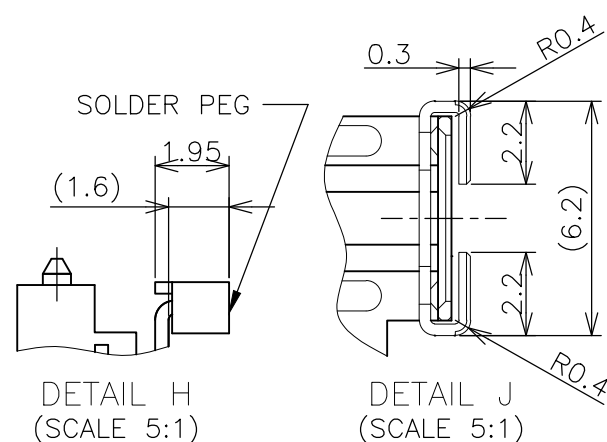
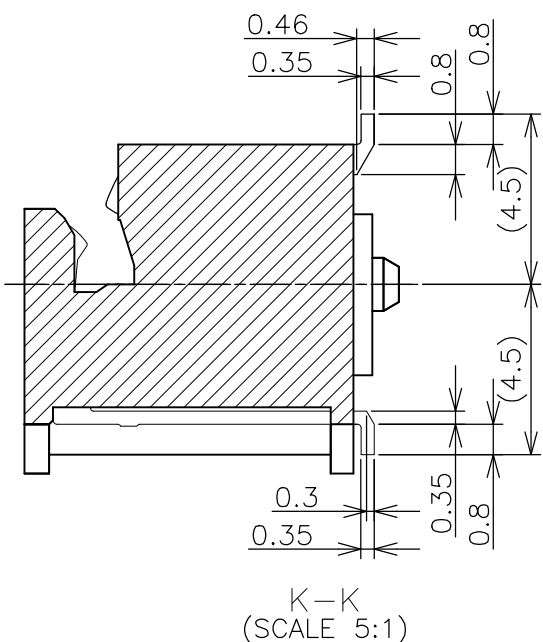
2-3. FINISH ; CONTACT AREA: 0.00076MIN GOLD
ALL OVER NICKEL.
SOLDERING AREA: GOLD FLASH PLATING
PEG: TIN PLATING.

△ COPLANARITY: 0.1 MAX. (BEFORE SOLDERING)

△ THE FLOATING VALUE BY SOLDERING IS NOT INCLUDED.

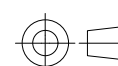
△ NOT MATING CONDITION.

6. IF THE MODULE DOESN'T INSERT AND LOCK IN THE LATCH SMOOTHLY,
OPEN WIDE BOTH LATCHES BY MANUAL. AND THE MODULE MUST BE
INSERTED AND LOCKED IN THE LATCH.

DETAIL J
(SCALE 5:1)

GENERAL TOLERANCE
10 ≥ : ±0.2
30 ≥ > 10 : ±0.25
100 ≥ > 30 : ±0.3
ANGLES: ±3°

THIS DRAWING IS A CONTROLLED DOCUMENT.

DIMENSIONS:
MMTOLERANCES UNLESS
OTHERWISE SPECIFIED:

0 PLC ±
1 PLC ±
2 PLC ±
3 PLC ±
4 PLC ±
ANGLES ±
FINISH

MATERIAL

DWN T.FUMIKURA 18SEP2007
CHK K.IKEGAMI 18SEP2007
APVD K.IKEGAMI 18SEP2007
PRODUCT SPEC
108-78493
APPLICATION SPEC
WEIGHT 6.2g

TE Connectivity

NAME		RESTRICTED TO	
DDR3 SODIMM SOCKET		-	
0.6mm PITCH 204POS		-	
9.2mm HEIGHT STANDARD TYPE		-	
SIZE	CAGE CODE	DRAWING NO	
A3	00779	C-2013310	

CUSTOMER DRAWING

SCALE 2:1

SHEET 1 OF 6

REV D1

THIS DRAWING IS UNPUBLISHED. RELEASED FOR PUBLICATION .SEP 2007
 © COPYRIGHT 2007 By - ALL RIGHTS RESERVED.

LOC		DIST		REVISIONS			
P	LTR	DESCRIPTION		DATE	DWN	APVD	
	-	SEE SHEET 1		-	-	-	

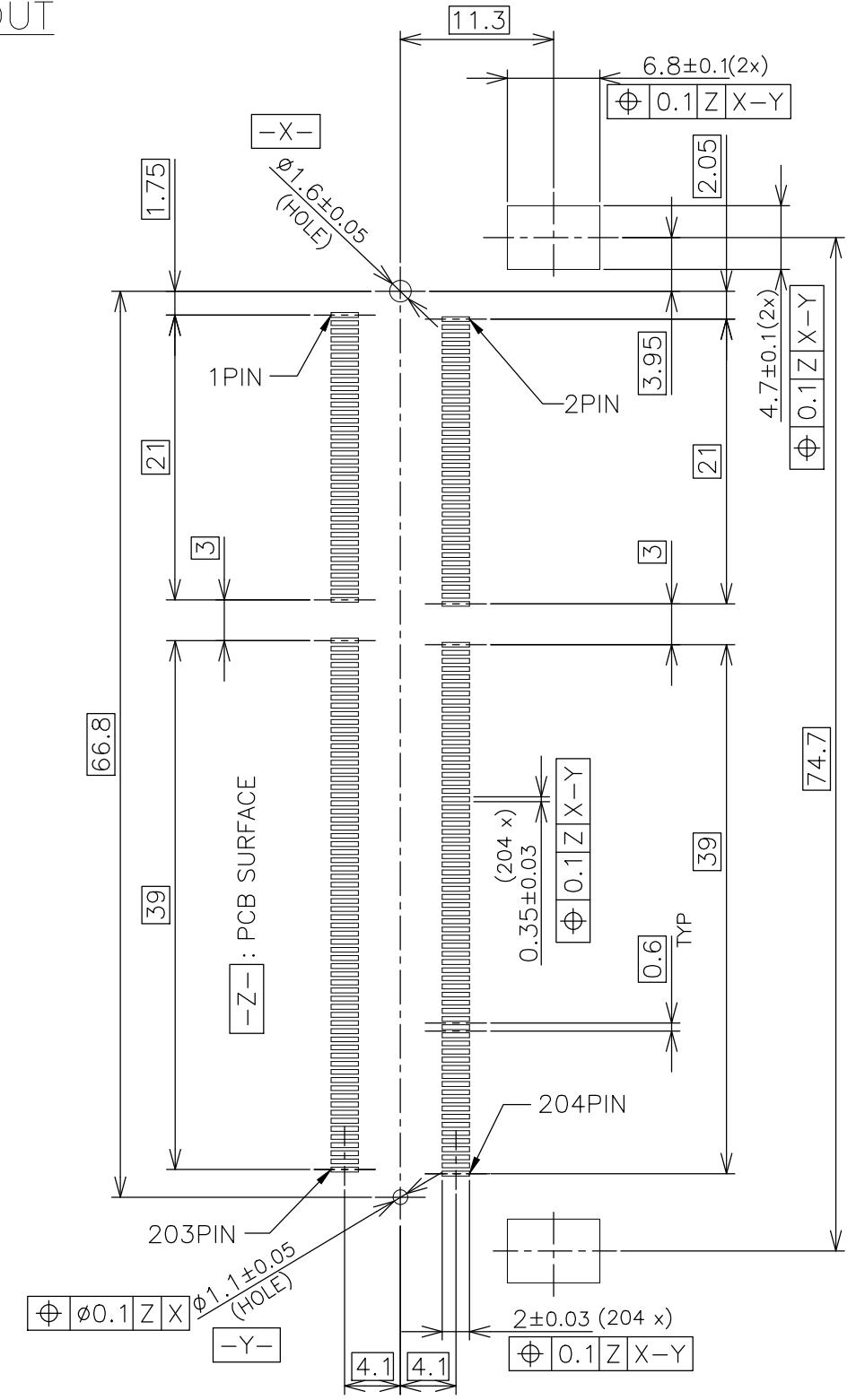
TOOLING STATUS	PACKAGING TYPE	REMARK	HOUSING COLOR	FINISH	POWER SUPPLY	POS	PART NO.
AVAILABLE	SEMI-HARD TRAY (SEE SHEET 5)	WITH BOSS	BLACK	NOTE 2-3	1.5V	204	4-2013310-3
AVAILABLE	ENBOSS (SEE SHEET 6)	WITHBOSS	BLACK	NOTE 2-3	1.5V	204	2-2013310-3
AVAILABLE	ENBOSS (SEE SHEET 6)	WITHBOSS	BLACK	NOTE 2-2	1.5V	204	2-2013310-2
AVAILABLE	ENBOSS (SEE SHEET 6)	WITHBOSS	BLACK	NOTE 2-1	1.5V	204	2-2013310-1
AVAILABLE	SEMI-HARD TRAY (SEE SHEET 5)	WITH BOSS	BLACK	NOTE 2-3	1.5V	204	2013310-3
AVAILABLE	SEMI-HARD TRAY (SEE SHEET 5)	WITH BOSS	BLACK	NOTE 2-2	1.5V	204	2013310-2
AVAILABLE	SEMI-HARD TRAY (SEE SHEET 5)	WITH BOSS	BLACK	NOTE 2-1	1.5V	204	2013310-1

THIS DRAWING IS A CONTROLLED DOCUMENT.		DWN		STE TE Connectivity	
DIMENSIONS: MM		CHK			
TOLERANCES UNLESS OTHERWISE SPECIFIED:		APVD		NAME	
0 PLC ±		PRODUCT SPEC		DDR3 SODIMM SOCKET	
1 PLC ±		APPLICATION SPEC		0.6mm PITCH 204POS	
2 PLC ±		WEIGHT		9.2mm HEIGHT STANDARD TYPE	
3 PLC ±		SIZE		A3	
4 PLC ±		CAGE CODE		00779	
ANGLES ±		DRAWING NO		C-2013310	
FINISH		RESTRICTED TO		-	
MATERIAL		CUSTOMER DRAWING		SCALE 2:1	
		SHEET		2 OF 6	
		REV		D1	

THIS DRAWING IS UNPUBLISHED. RELEASED FOR PUBLICATION .SEP 2007
 © COPYRIGHT 2007 By - ALL RIGHTS RESERVED.

LOC	DIST	REVISIONS			
P	LTR	DESCRIPTION	DATE	DWN	APVD
J	/	SEE SHEET 1	-	-	-

REFERENCE P.C.BOARD PATTERN LAYOUT (CONNECTOR MOUNTING SIDE)



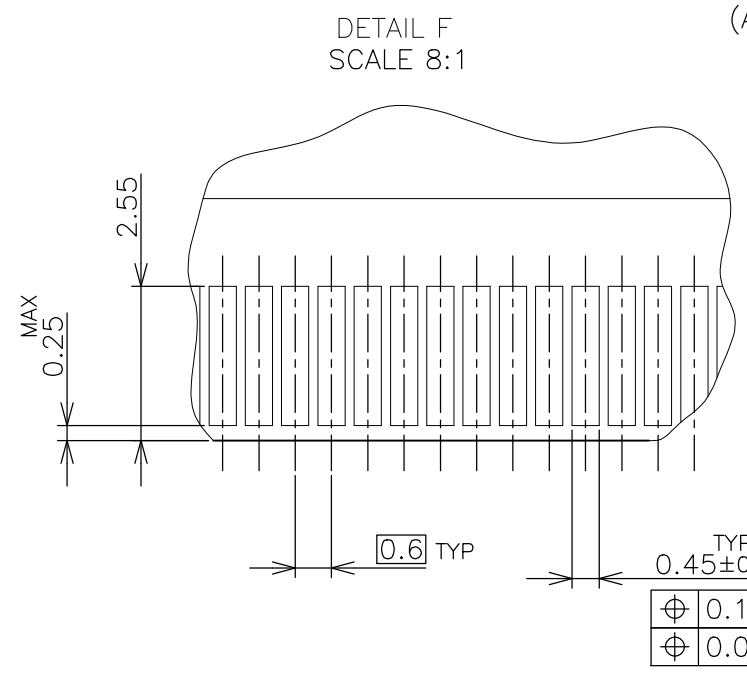
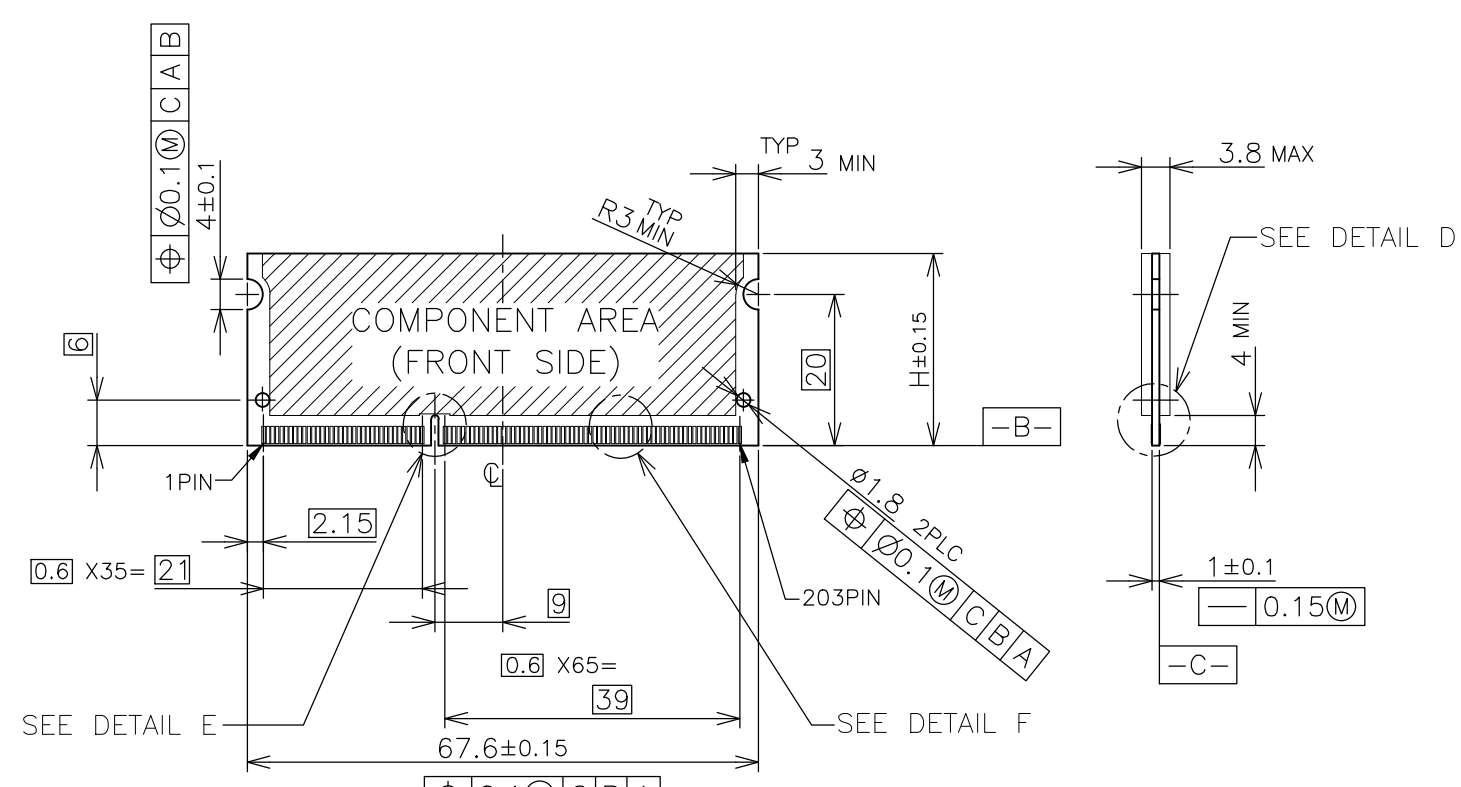
STD TYPE

THIS DRAWING IS A CONTROLLED DOCUMENT.		DWN		TE Connectivity	
DIMENSIONS: MM		CHK			
TOLERANCES UNLESS OTHERWISE SPECIFIED: 0 PLC ± 1 PLC ± 2 PLC ± 3 PLC ± 4 PLC ± ANGLES ± MATERIAL FINISH		APVD		NAME	
		PRODUCT SPEC		DDR3 SODIMM SOCKET 0.6mm PITCH 204POS 9.2mm HEIGHT STANDARD TYPE	
MATERIAL		APPLICATION SPEC		SIZE	RESTRICTED TO
		WEIGHT		A3	
		CUSTOMER DRAWING		CAGE CODE	REV
		SCALE 2:1		G-2013310	D1
		SHEET 3 OF 6			

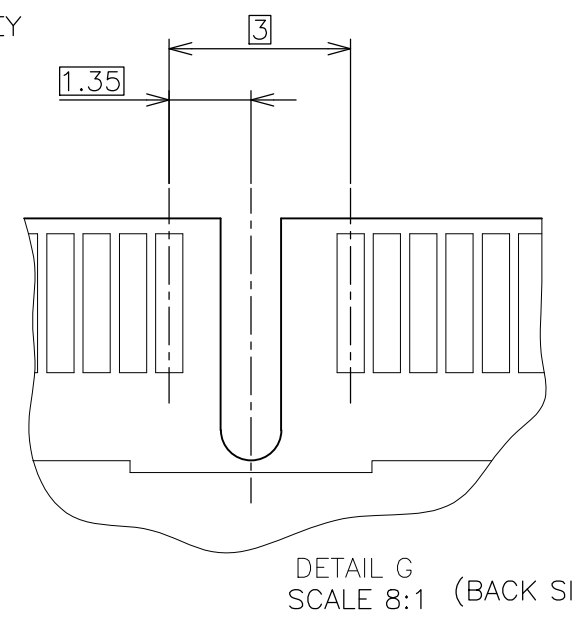
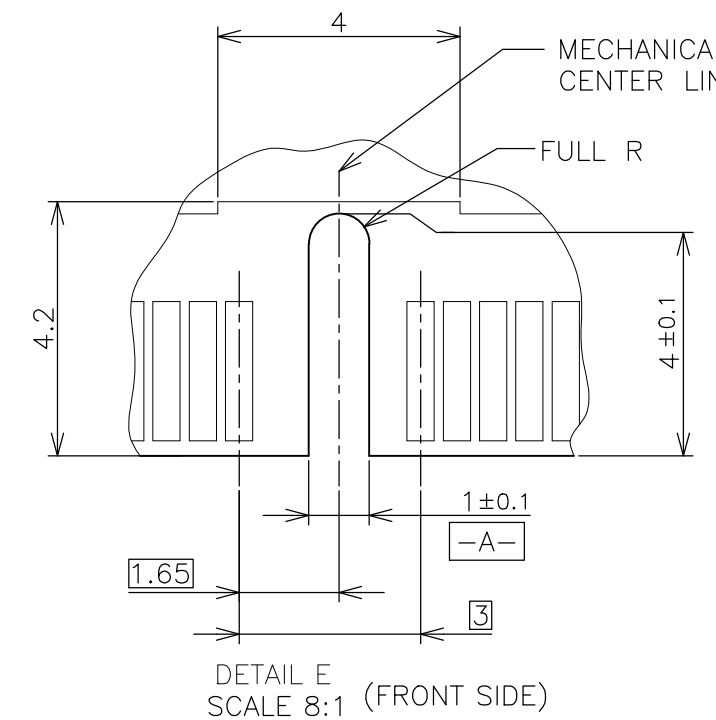
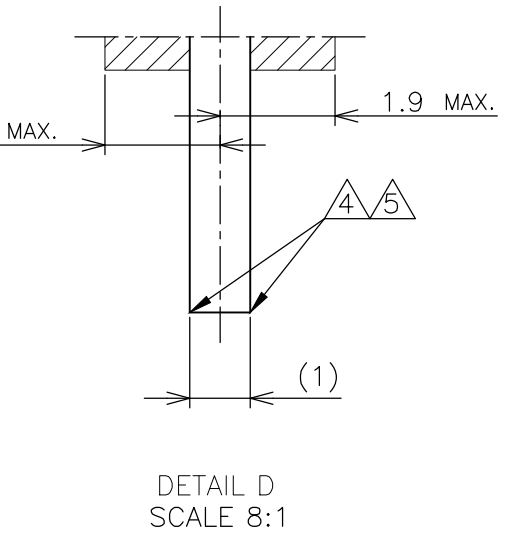
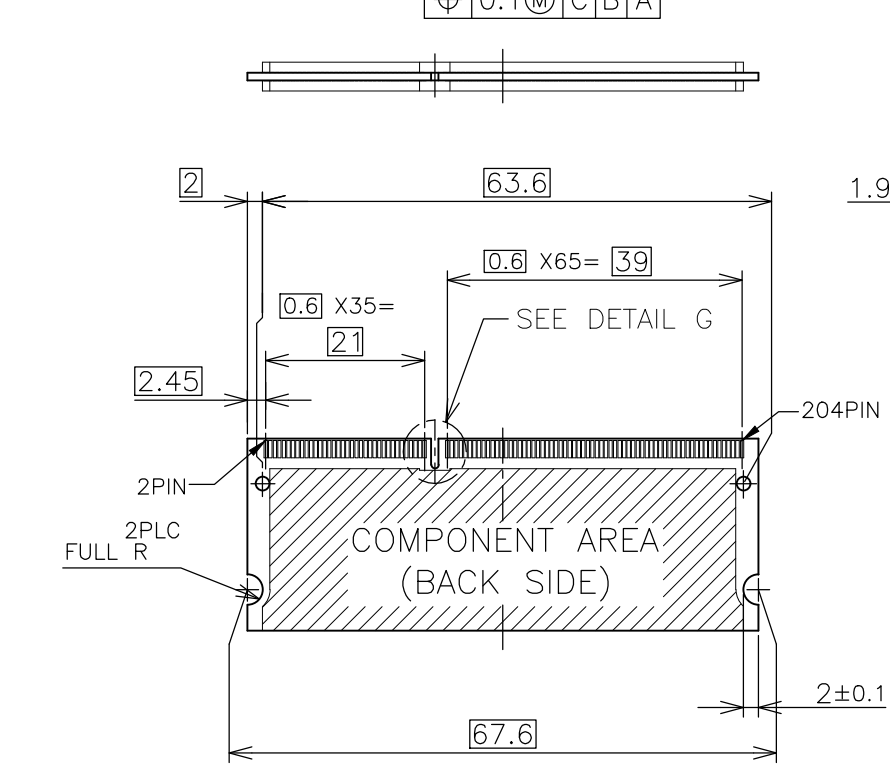
THIS DRAWING IS UNPUBLISHED. RELEASED FOR PUBLICATION .SEP 2007
 © COPYRIGHT 2007 By - ALL RIGHTS RESERVED.

LOC	DIST	REVISIONS			
P	LTR	DESCRIPTION	DATE	DWN	APVD
J	/	-	SEE SHEET 1	-	-

REFERENCE MATING P.C.B CONFIGURATION



- (APPLIED TO SHEET 4)
1. TOLERANCES ON ALL DIMENSIONS ±0.15 UNLESS OTHERWISE SPECIFIED.
 2. P.C. BOARD THICKNESS APPLIES ACROSS TABS AND INCLUDES PLATING AND/OR METALIZATION.
 3. FINISH OF PAD : GOLD PLATING 0.00076 MIN. OVER Ni PLATING 0.002MIN.
 4. NO BURR
 5. CHAMFER 0.25 MAX x 45° IF EXIST.

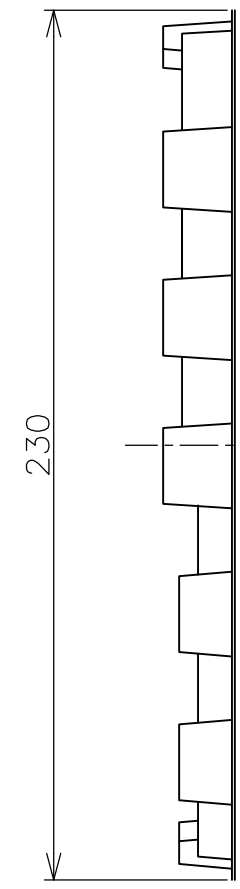
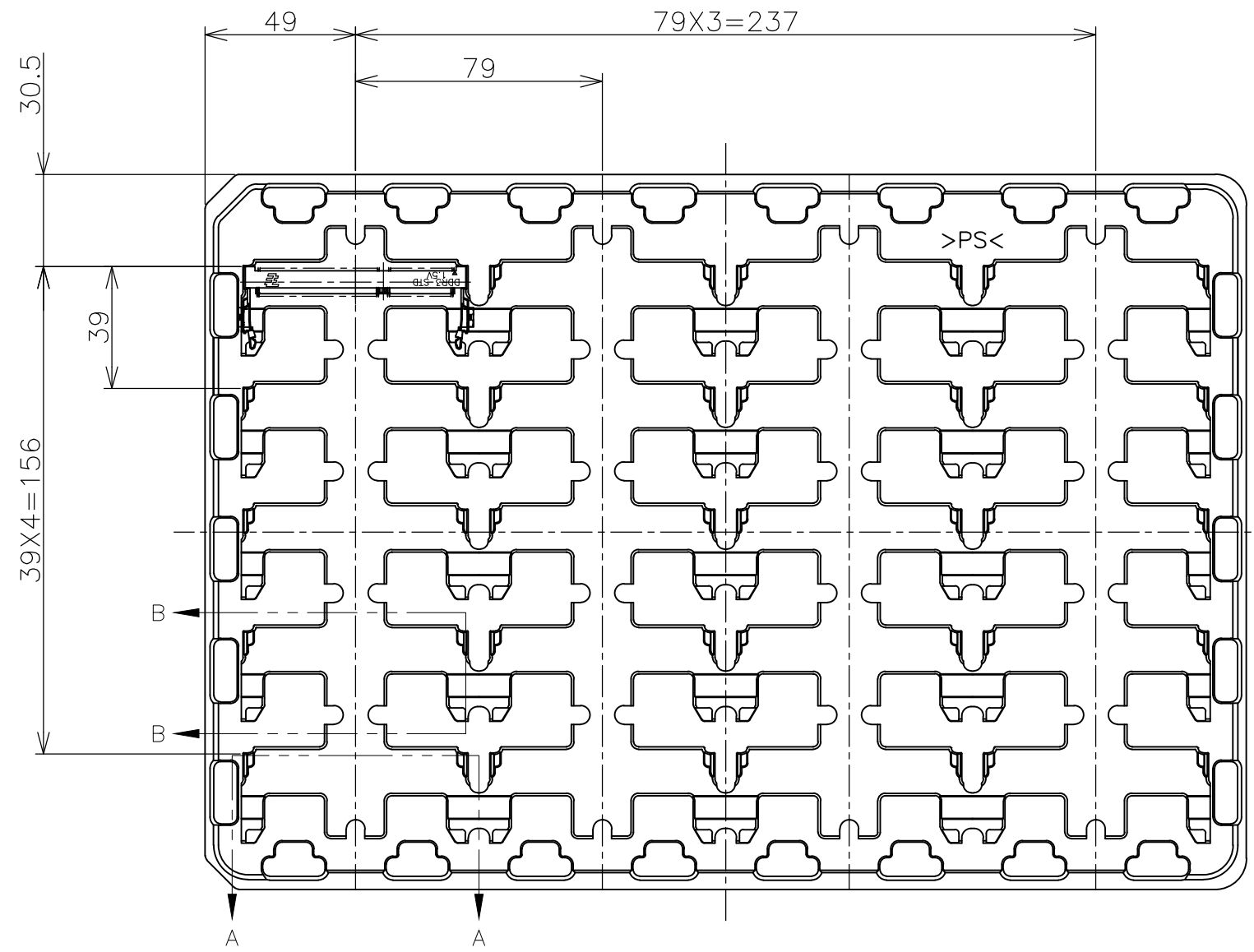


30	CA
31.75	BA
25.4	AA
H	SDRAM VARIATIONS

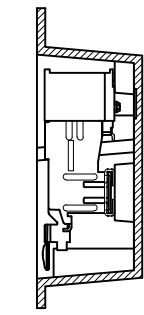
THIS DRAWING IS A CONTROLLED DOCUMENT.		DWN	TE Connectivity NAME DDR3 SODIMM SOCKET 0.6mm PITCH 204POS 9.2mm HEIGHT STANDARD TYPE			
DIMENSIONS: MM		CHK				PRODUCT SPEC
		APVD				APPLICATION SPEC
TOLERANCES UNLESS OTHERWISE SPECIFIED: 0 PLC ± 1 PLC ± 2 PLC ± 3 PLC ± 4 PLC ± ANGLES ± MATERIAL FINISH ±		WEIGHT				RESTRICTED TO
MATERIAL		SIZE CAGE CODE DRAWING NO A3 00779 C-2013310		SCALE 2:1	SHEET 4 OF 6	
CUSTOMER DRAWING		SCALE 2:1		REV D1		

THIS DRAWING IS UNPUBLISHED. RELEASED FOR PUBLICATION .SEP 2007
 © COPYRIGHT 2007 By - ALL RIGHTS RESERVED.

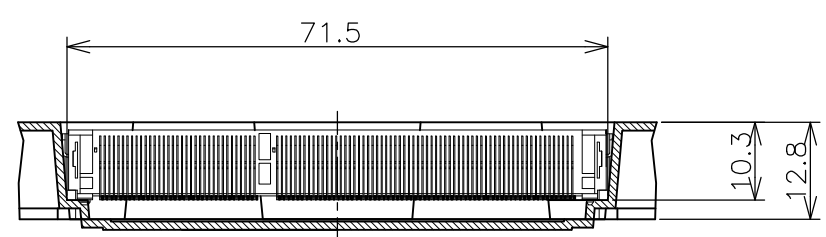
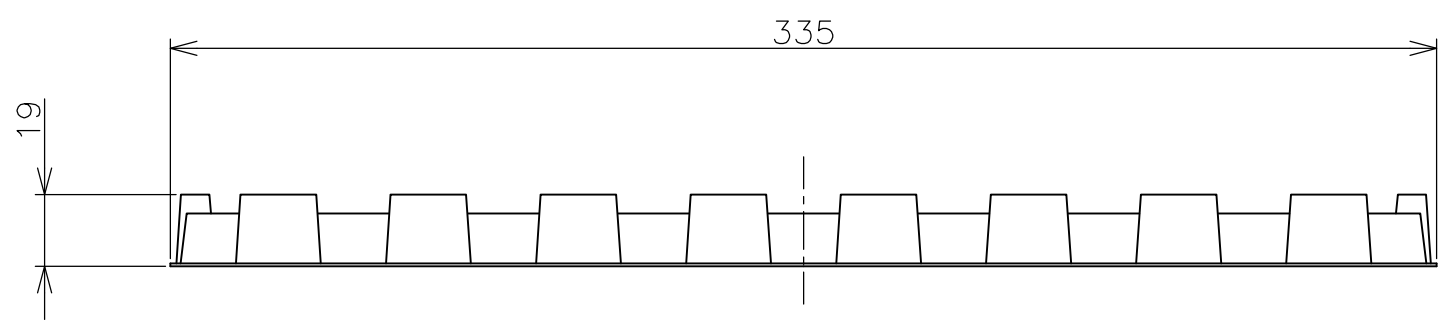
LOC	DIST	REVISIONS			
P	LTR	DESCRIPTION	DATE	DWN	APVD
J	/	SEE SHEET 1	-	-	-



- (APPLIED TO SHEET 5)
 1. THE DIRECTION OF EACH CONNECTOR ON A TRAY IS REFERRED TO THIS DRAWING.
 2. GENERAL TOLERANCE: ±0.5, ±3°



B-B
 SCALE 1:1



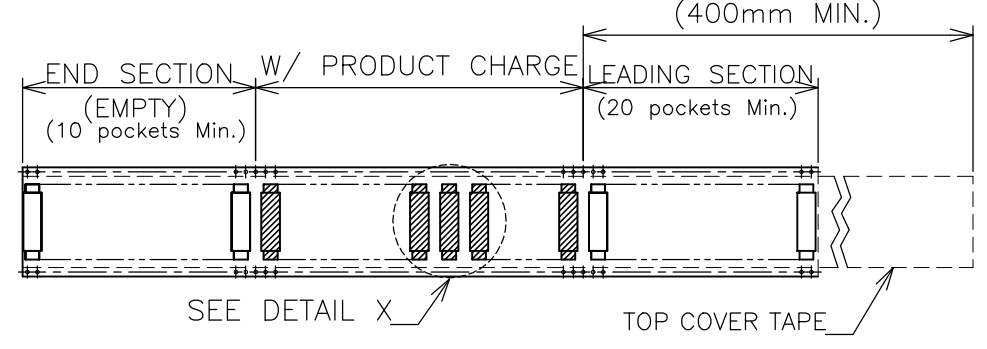
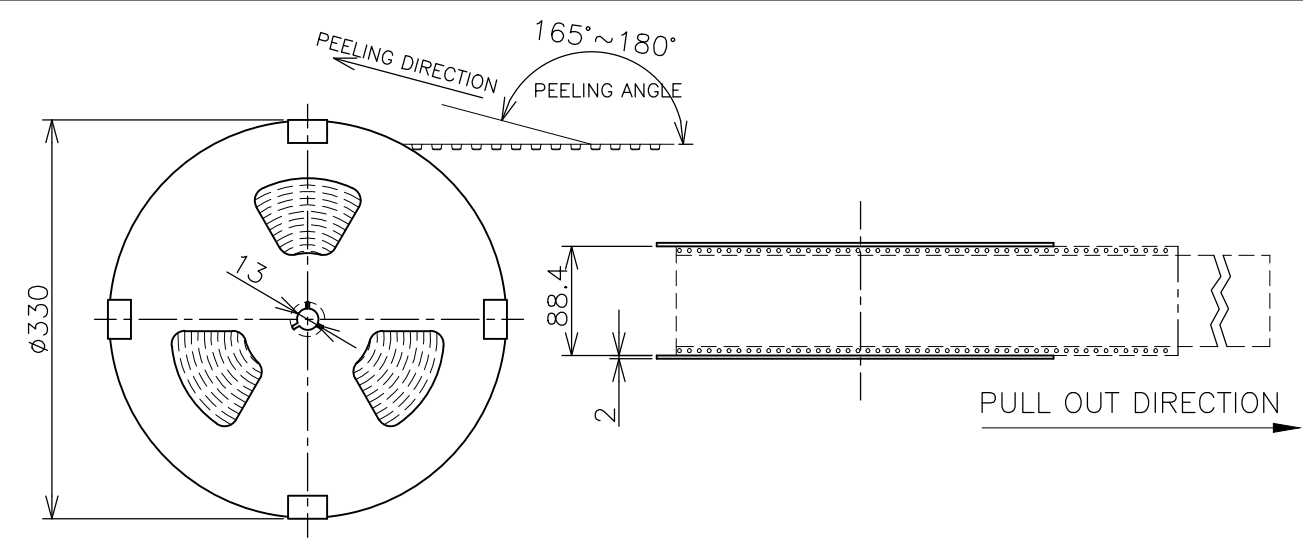
A-A
 SCALE 1:1
 (180DEG. ROTATE)

200EA	20EA	*- 2013310-*
QTY/BOX	QTY/TRAY	PART NO.

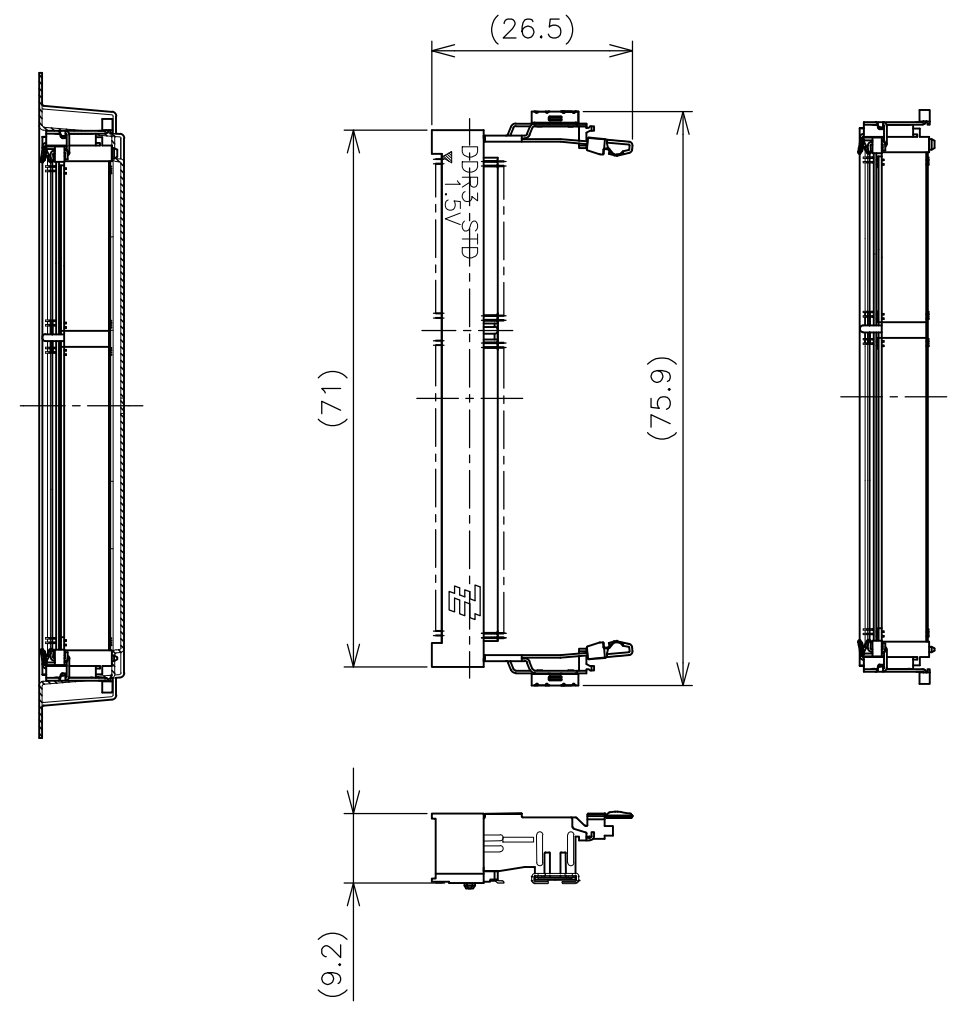
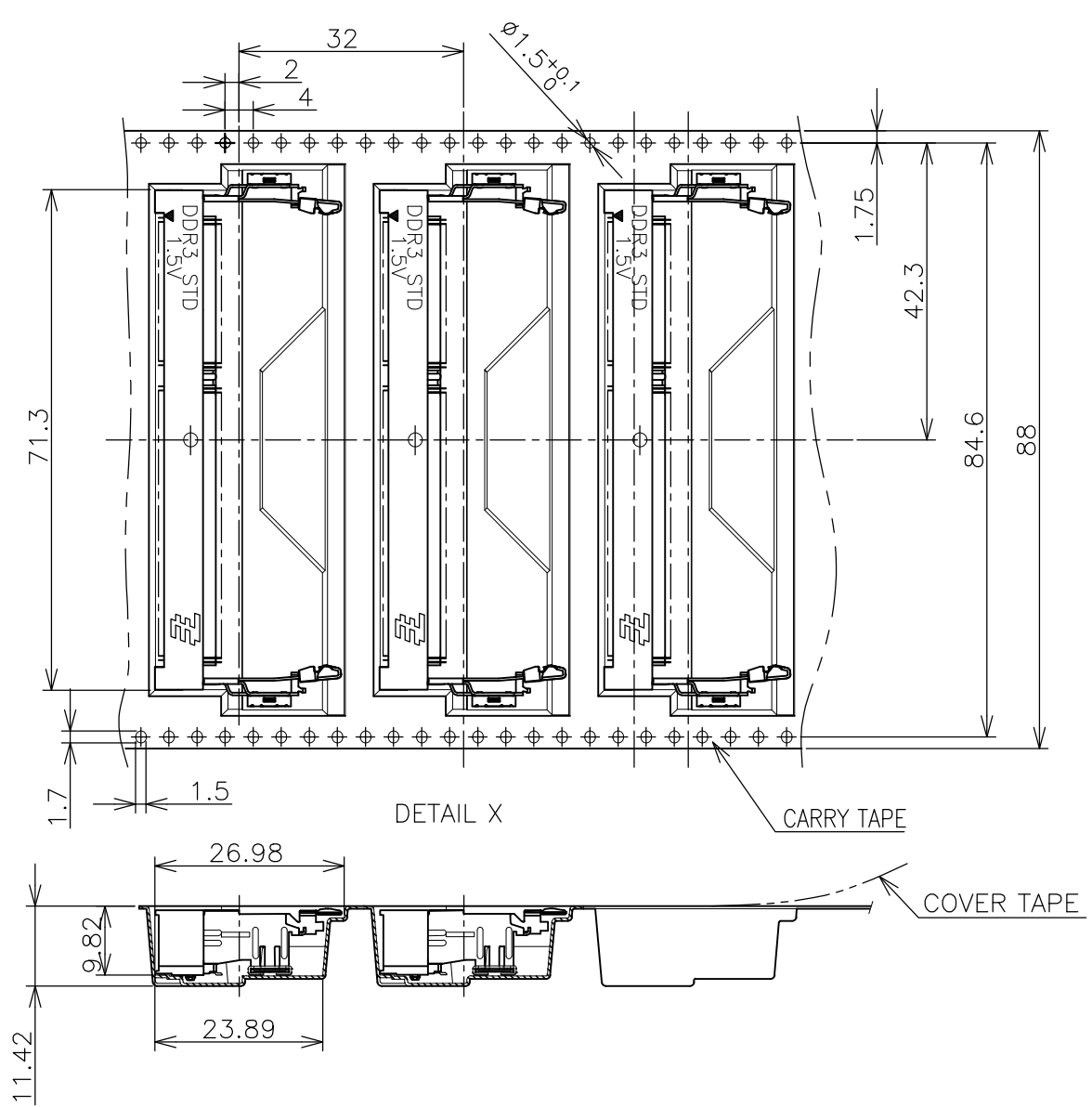
THIS DRAWING IS A CONTROLLED DOCUMENT.		DWN		STE TE Connectivity	
DIMENSIONS: MM		CHK			
TOLERANCES UNLESS OTHERWISE SPECIFIED:		APVD		NAME	
0 PLC ± 0.5		PRODUCT SPEC		DDR3 SODIMM SOCKET	
1 PLC ± 0.5		APPLICATION SPEC		0.6mm PITCH 204POS	
2 PLC ± 0.5		WEIGHT		9.2mm HEIGHT STANDARD TYPE	
3 PLC ± 0.5		SIZE		RESTRICTED TO	
4 PLC ± 0.5		CAGE CODE		A300779	
ANGLES ± 3°		DRAWING NO		C-2013310	
FINISH		CUSTOMER DRAWING		SCALE 1:2	

THIS DRAWING IS UNPUBLISHED. RELEASED FOR PUBLICATION .SEP 2007
 © COPYRIGHT 2007 By - ALL RIGHTS RESERVED.

LOC	DIST	REVISIONS			
P	LTR	DESCRIPTION	DATE	DWN	APVD
J	/	SEE SHEET 1	-	-	-



(APPLIED TO SHEET 6)
 1. THE DIRECTION OF EACH CONNECTOR ON A EMBOSS IS REFERRED TO THIS DRAWING.
 2. GENERAL TOLERANCE: ±0.5, ±3°



150EA	*-2013310-*		
QTY/REEL	PART NO.		
STE TE Connectivity			
NAME DDR3 SODIMM SOCKET 0.6mm PITCH 204POS 9.2mm HEIGHT STANDARD TYPE			
SIZE	CAGE CODE	DRAWING NO	RESTRICTED TO
A3	00779	C-2013310	-
CUSTOMER DRAWING		SCALE 1:2	SHEET 6 OF 6
		REV D1	

THIS DRAWING IS A CONTROLLED DOCUMENT.		DWN
DIMENSIONS: MM		CHK
TOLERANCES UNLESS OTHERWISE SPECIFIED:		APVD
0 PLC	± 0.5	PRODUCT SPEC
1 PLC	± 0.5	APPLICATION SPEC
2 PLC	± 0.5	WEIGHT
3 PLC	± 0.5	
4 PLC	± 0.5	
ANGLES	± 3°	
MATERIAL	FINISH	

单击下面可查看定价，库存，交付和生命周期等信息

[>>TE Connectivity\(泰科\)](#)