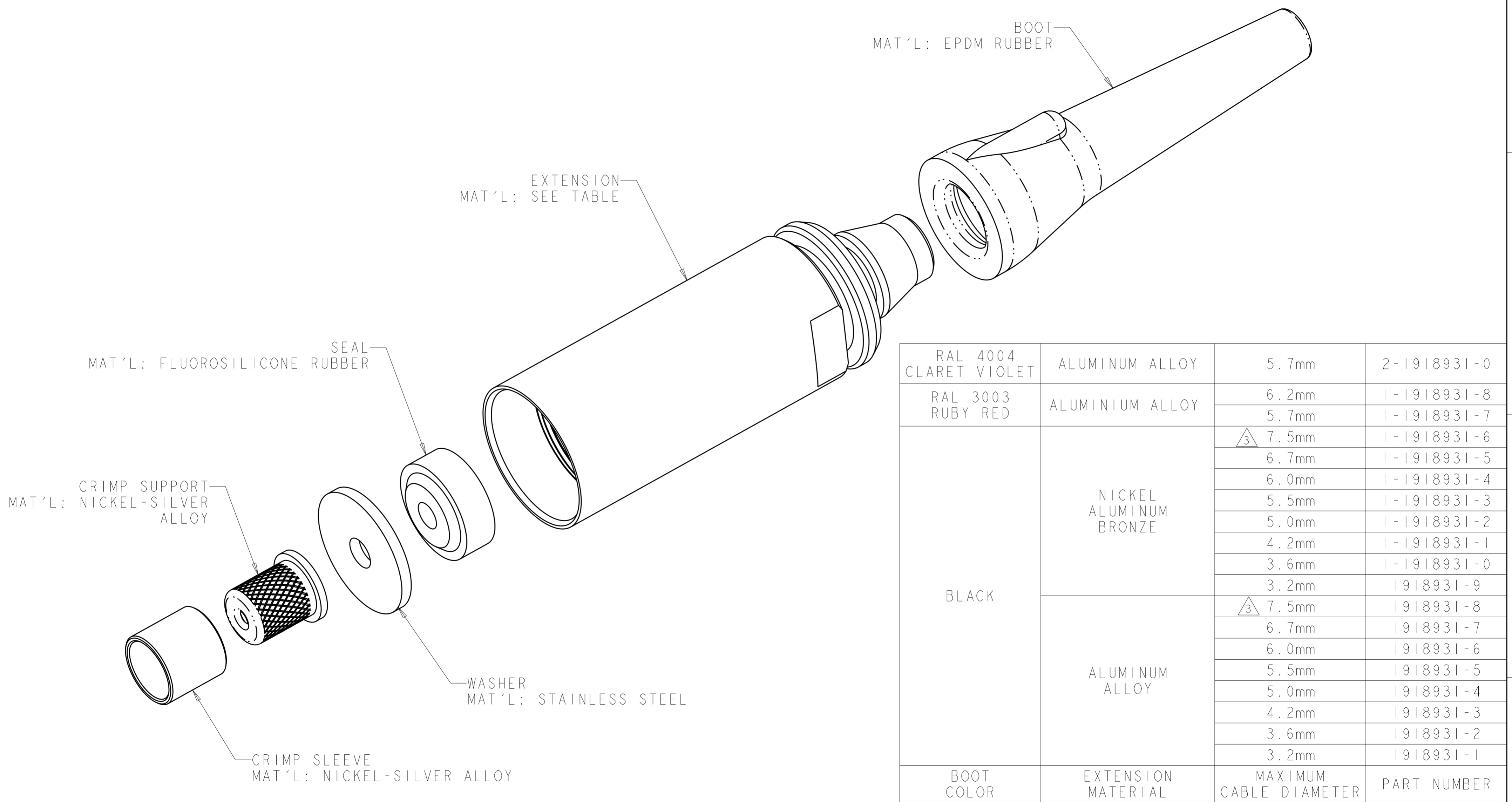


THIS DRAWING IS UNPUBLISHED. RELEASED FOR PUBLICATION 20
 © COPYRIGHT 20 BY - ALL RIGHTS RESERVED.

REVISIONS				
P	LTR	DESCRIPTION	DATE	APVD
C		ECR-15-008603	24JUN2015	KG DW
C1		ECR-19-015389	21OCT2019	LN DW
C2		ECO-20-009383	14JUL2020	LN DW



BOOT COLOR	EXTENSION MATERIAL	MAXIMUM CABLE DIAMETER	PART NUMBER
RAL 4004 CLARET VIOLET	ALUMINUM ALLOY	5.7mm	2-1918931-0
RAL 3003 RUBY RED	ALUMINIUM ALLOY	6.2mm	1-1918931-8
		5.7mm	1-1918931-7
BLACK	NICKEL ALUMINUM BRONZE	Δ_3 7.5mm	1-1918931-6
		6.7mm	1-1918931-5
		6.0mm	1-1918931-4
		5.5mm	1-1918931-3
		5.0mm	1-1918931-2
		4.2mm	1-1918931-1
		3.6mm	1-1918931-0
		3.2mm	1918931-9
		Δ_3 7.5mm	1918931-8
		6.7mm	1918931-7
		6.0mm	1918931-6
		5.5mm	1918931-5
		5.0mm	1918931-4
		4.2mm	1918931-3
3.6mm	1918931-2		
3.2mm	1918931-1		

- PACKAGED LOOSE PIECE.
 - DIMENSIONS ARE FOR REFERENCE ONLY.
- Δ_3 FOR USE WITH \varnothing 7.5mm BREAKOUT CABLE WITH \varnothing 2.15mm MAXIMUM JACKETED SUBUNITS.

THIS DRAWING IS A CONTROLLED DOCUMENT.

DIMENSIONS: mm	TOLERANCES UNLESS OTHERWISE SPECIFIED:	DWN 21OCT2006 K. GLATFELTER	TE Connectivity
	0 PLC ±	CHK 02JUN2008 D. WERTMAN	
	1 PLC ±	APVD 02JUN2008 D. WERTMAN	
	2 PLC ±	PRODUCT SPEC	
MATERIAL AS LISTED	HARD ANODIZE (AL ONLY)	APVD 02JUN2008 D. WERTMAN	NAME CABLE ADAPTER KIT, PLUG, PRO BEAM JR.
		APVD 02JUN2008 D. WERTMAN	SIZE A200779
		APVD 02JUN2008 D. WERTMAN	CAGE CODE C-1918931
		APVD 02JUN2008 D. WERTMAN	DRAWING NO
		APVD 02JUN2008 D. WERTMAN	RESTRICTED TO
		APVD 02JUN2008 D. WERTMAN	SCALE 3:1
		APVD 02JUN2008 D. WERTMAN	SHEET 1 OF 1
		APVD 02JUN2008 D. WERTMAN	REV C2

单击下面可查看定价，库存，交付和生命周期等信息

[>>TE Connectivity\(泰科\)](#)