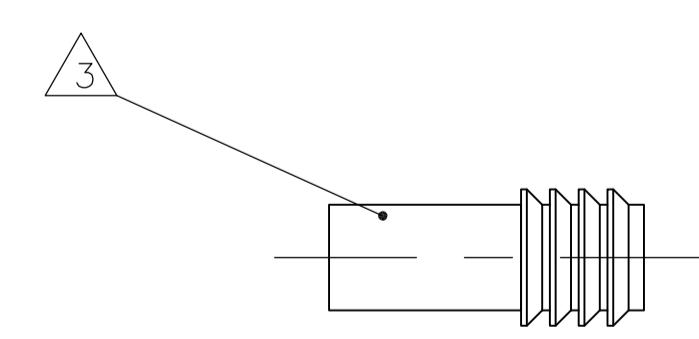
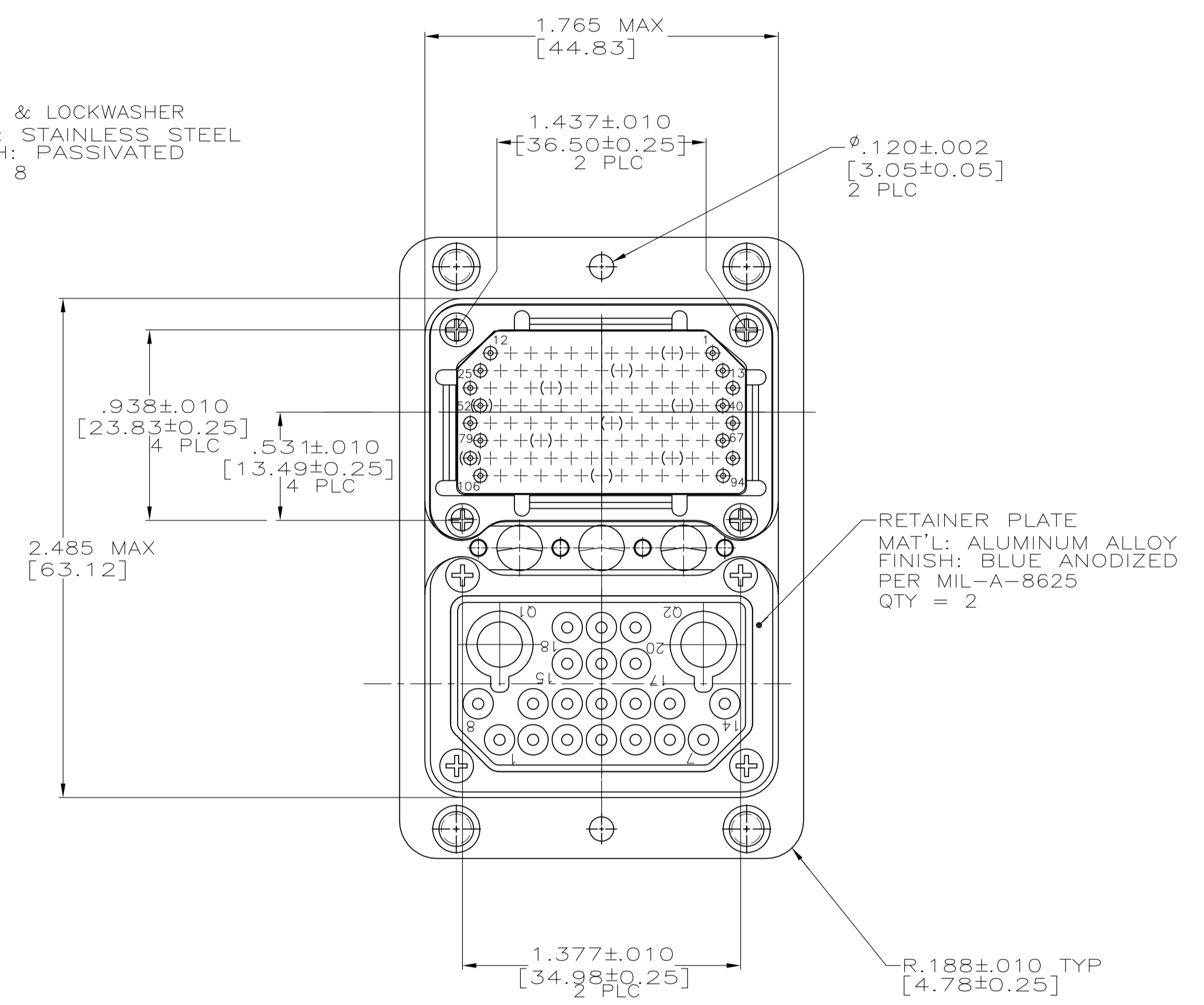
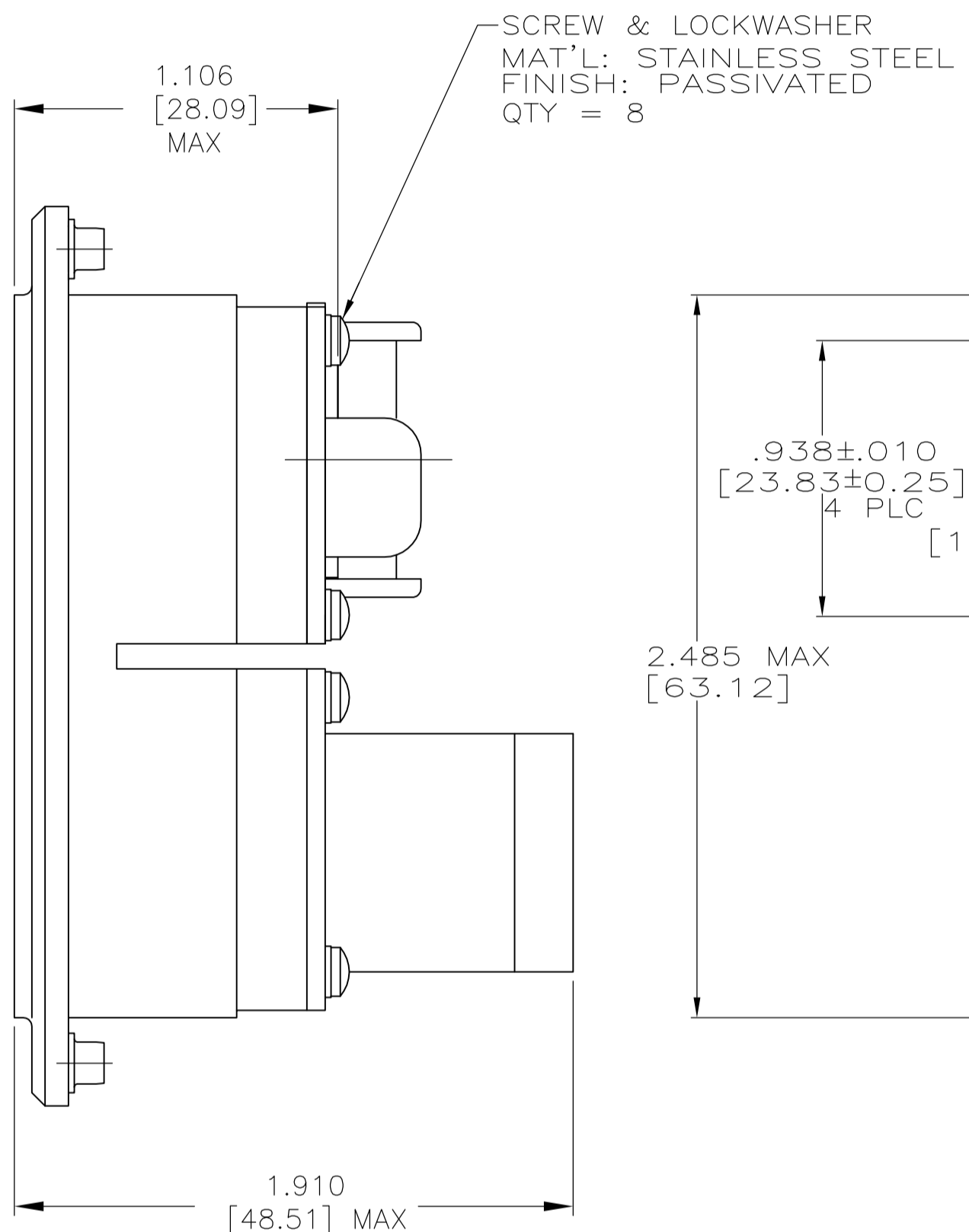
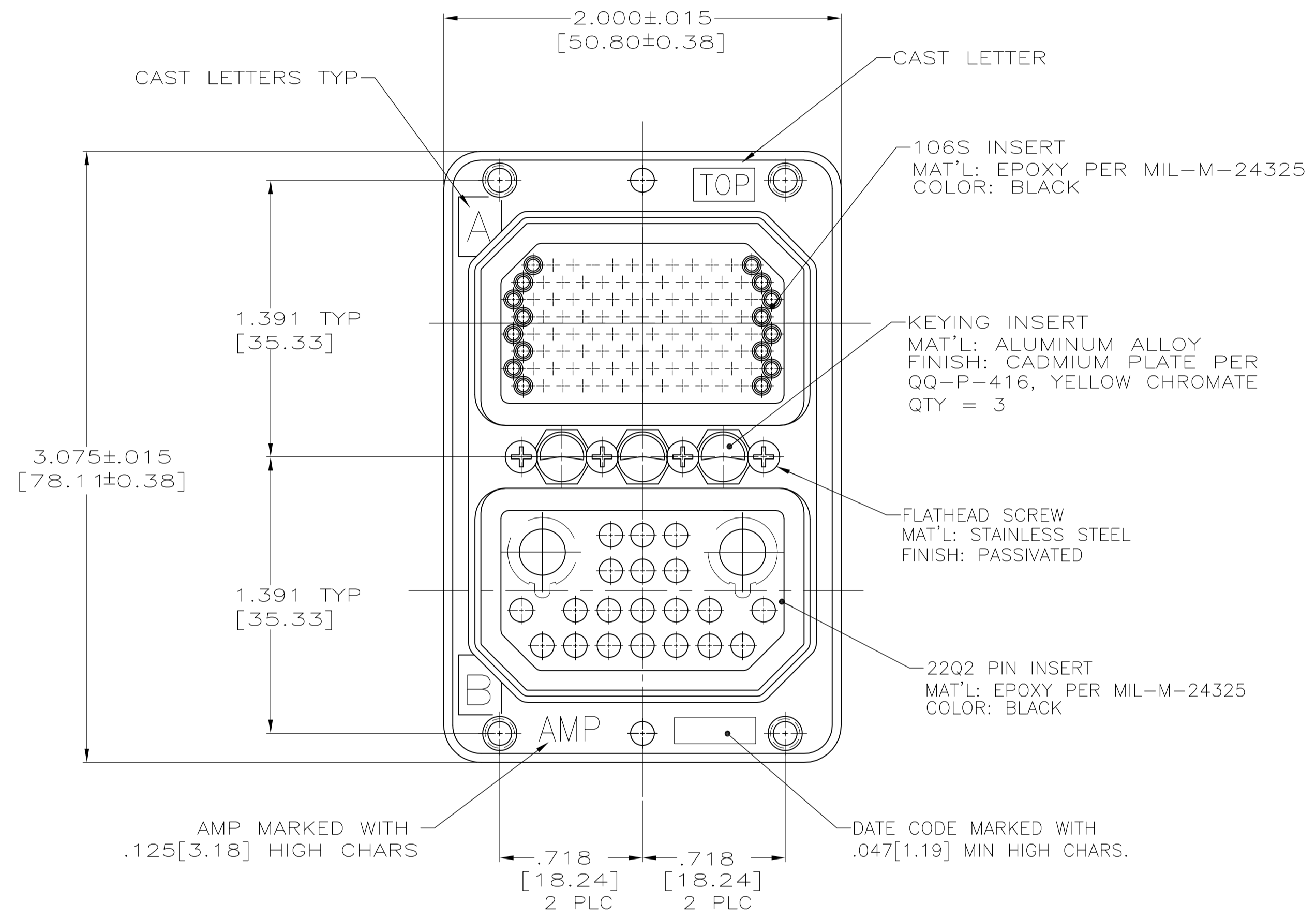
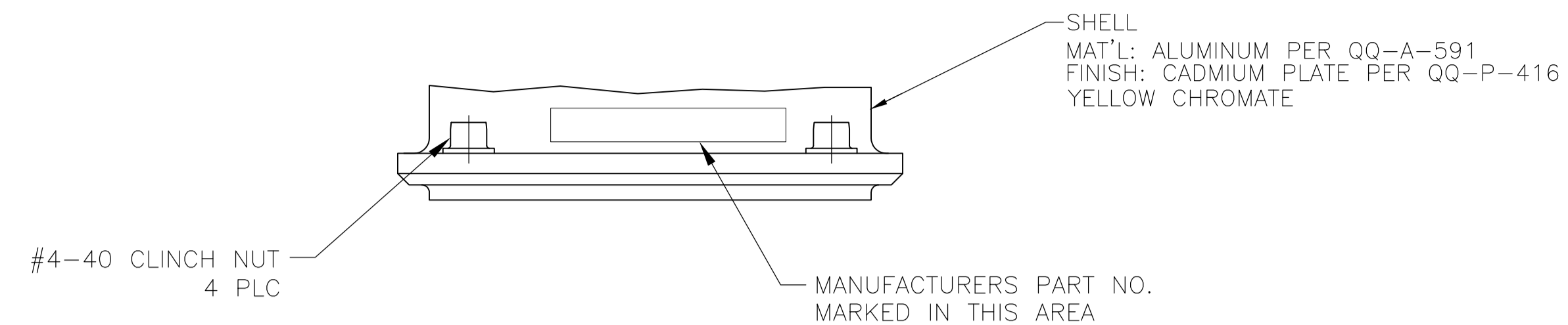


LOC		DIST		REVISIONS			
P	LTR	DESCRIPTION	DATE	DN	APVD		
J		REVISED PER ECO-09-018066	18AUG09	PY	DE		



- CONNECTOR DIMENSIONS ARE PER ARINC 404 SPECIFICATION.
  - KEYING SHOWN IN POSITION "01" FOR ILLUSTRATION ONLY. CONNECTORS SHIPPED WITH KEYING INSTALLED IN POSITION PER TABLE. FOR POSITION "00" KEYING HARDWARE SHIPPED UNASSEMBLED.
- △ TWO QUADRAx SEALS PROVIDED WITH ASSEMBLY.

"02"	1757312-2
"01"	1757312-1
KEYING POSITION	PART NO.

THIS DRAWING IS A CONTROLLED DOCUMENT.

DIMENSIONS: INCHES	TOLERANCES UNLESS OTHERWISE SPECIFIED:	0 PLC ± -	1 PLC ± -	2 PLC ± -	3 PLC ± .005 [0.13]	4 PLC ± -	ANGLES ± -
--------------------	--	-----------	-----------	-----------	---------------------	-----------	------------

MATERIAL	FINISH	WEIGHT	SIZE	CAGE CODE	DRAWING NO	RESTRICTED TO
-	-	-	A1	00779	1757312	-

CUSTOMER DRAWING SCALE 2:1 SHEET 1 OF 1 REV J

THIS DRAWING IS A CONTROLLED DOCUMENT. DWN C.C.THOMAS 5-20-05 CJK D.FARY 5-20-05 APVD D.FARY 5-20-05 NAME DUAL RECEPTACLE, ARINC 404, R2R106S22Q2P-01XX (201) Tyco Electronics Corporation Harrisburg, PA 17105-3608

单击下面可查看定价，库存，交付和生命周期等信息

[>>TE Connectivity\(泰科\)](#)