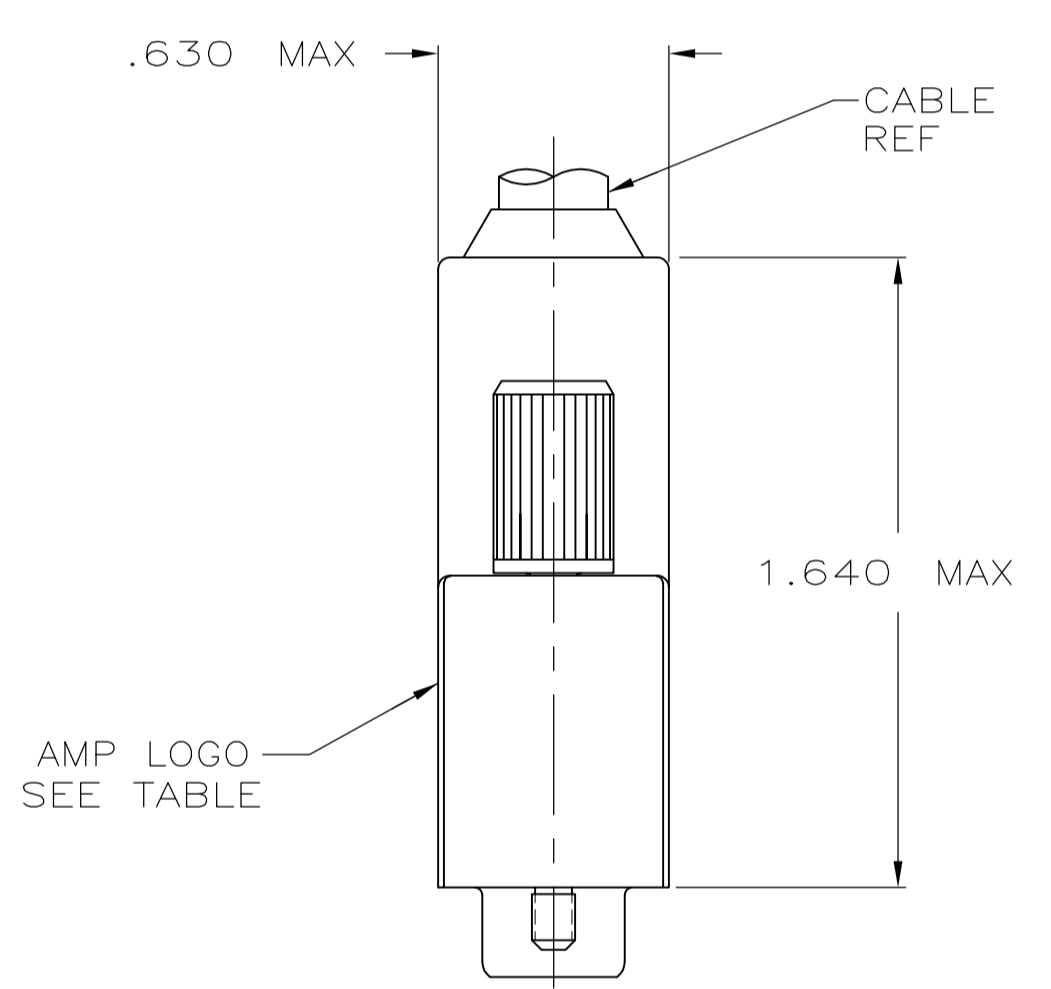
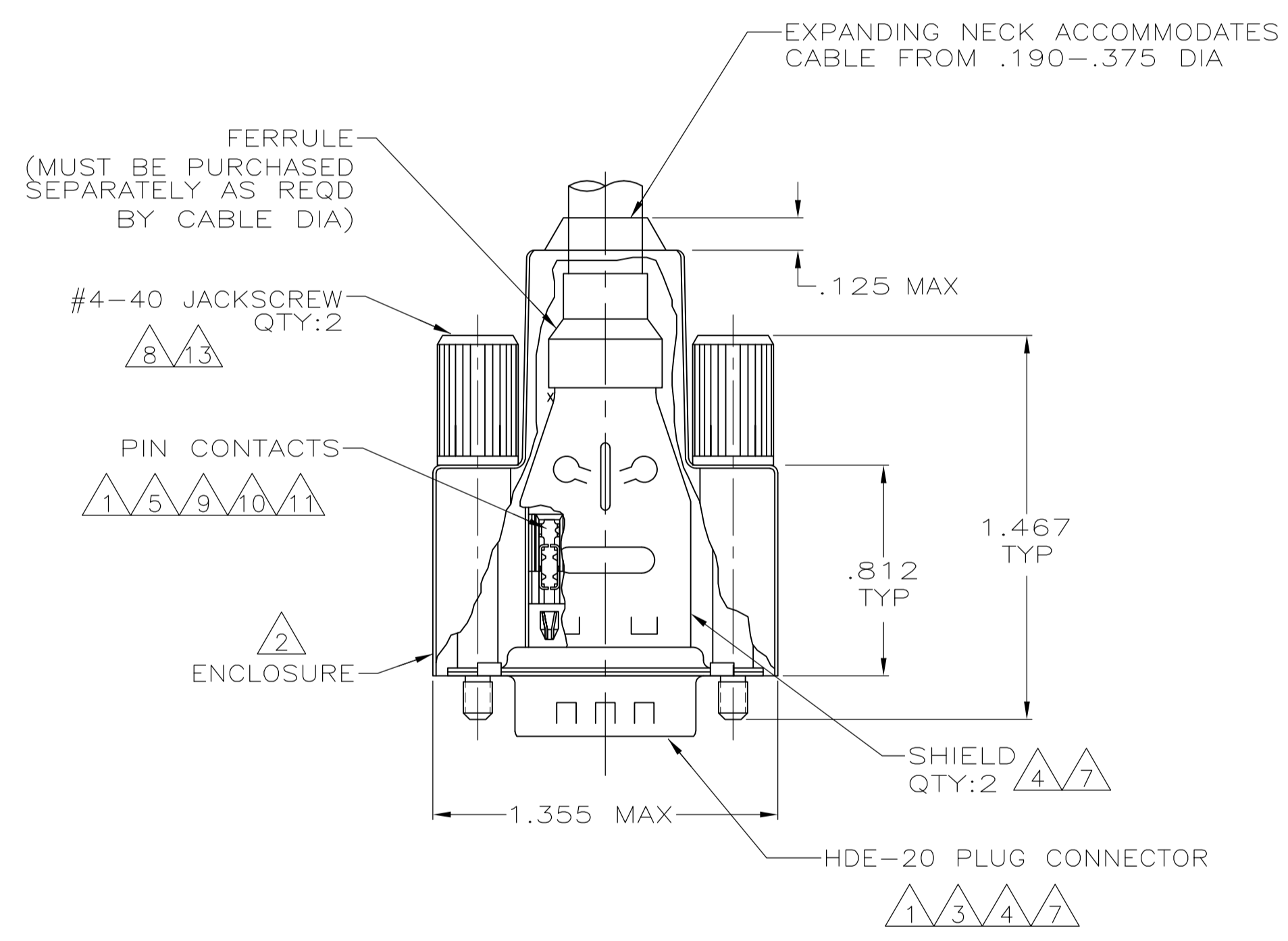
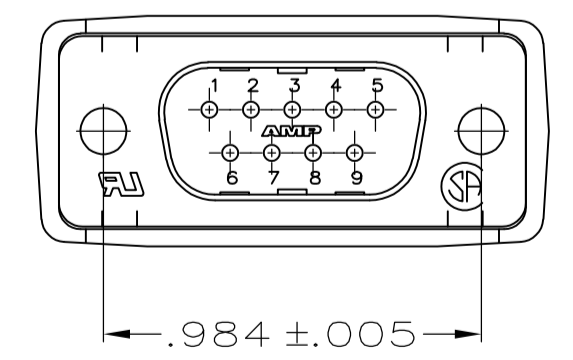


REVISIONS					
P	LTR	DESCRIPTION	DATE	DMN	APVD
AB	REVISED PER	ECO-17-002903	20MAR2017	AP	DG



- 1 PLUG CONNECTOR FULLY LOADED WITH CONTACTS. ALL OTHER PARTS ARE SHIPPED UNASSEMBLED. EACH PART INDIVIDUALLY BULK PACKED.
- 2 FLAME RETARDANT 94V-0 RATED, POLYOLEFIN OR PVC, BLACK.
- 3 FLAME RETARDANT 94V-0 RATED, GLASS-FILLED, NYLON OR POLYESTER, BLACK.
- 4 STEEL PER ASTM A109.
- 5 PHOSPHOR BRONZE PER QQ-B-750.
- 6 GOLD PLATING PER MIL-G-45204, NICKEL PLATING PER QQ-N-290, TIN PLATING PER MIL-T-10727, ZINC PLATING PER B633, TYPE II, CLASS SCI, BLACK CHROMATE.
- 7 TIN PLATED.
- 8 BLACK ZINC FLAKE COATING.
- 9 GOLD PLATED FOR LENGTH OF .150 MIN FROM MATING END, GOLD FLASH IN MATED AREA, .000100-.000200 TIN OR IN TIN-LEAD IN WIRE TERMINATION AREA, .000030 NICKEL UNDERPLATE ON ENTIRE CONTACT.
- 10 CONTACTS GOLD PLATED FOR A LENGTH OF .150 MIN FROM MATING END, .000030 MIN GOLD IN MATED AREA, .000100-.000200 BRIGHT TIN OR BRIGHT TIN-LEAD IN WIRE TERMINATION AREA, ALL OVER .000050 MIN NICKEL UNDERPLATE ON ENTIRE CONTACT.
OR
CONTACTS GOLD PLATED FOR A LENGTH OF .150 MIN FROM MATING END, GOLD FLASH OVER .000030 MIN PALLADIUM-NICKEL IN MATED AREA, .000100-.000200 BRIGHT TIN OR BRIGHT TIN-LEAD IN WIRE TERMINATION AREA, ALL OVER .000050 MIN NICKEL UNDERPLATE ON ENTIRE CONTACT.
- 11 NUMBER ON CONTACT INDICATES WIRE RANGE.
- 12 OBSOLETE PART NUMBER.
- 13 CARBON STEEL, C1022.
- 14 CONTACTS GOLD PLATED FOR A LENGTH OF .150 MIN FROM MATING END, .000030 MIN GOLD IN MATED AREA, .000100-.000200 MATTE TIN IN WIRE TERMINATION AREA, ALL OVER .000050 MIN NICKEL UNDERPLATE ON ENTIRE CONTACT.
OR
CONTACTS GOLD PLATED FOR A LENGTH OF .150 MIN FROM MATING END, GOLD FLASH OVER PALLADIUM-NICKEL, .000030 MIN TOTAL IN MATED AREA, .000100-.000200 MATTE TIN IN WIRE TERMINATION AREA, ALL OVER .000050 MIN NICKEL UNDERPLATE ON ENTIRE CONTACT.
- 15 CONTACTS PLATED GOLD FLASH FOR A LENGTH OF .150 MIN FROM MATING END, .000100-.000200 MATTE TIN IN WIRE TERMINATION AREA, ALL OVER .000030 MIN NICKEL UNDERPLATE ON ENTIRE CONTACT.

REV	DESCRIPTION	DATE	BY	CHKD	APPD	QTY	WIRE RANGE	PART NUMBER
12								9-747944-2
15	YES	2	22-26					1-747944-6
14	YES	2	22-26					1-747944-5
9	NO	3	20-22					1-747944-2
	NO	2	22-26					1-747944-1
	NO	1	26-30					1-747944-0
10	NO	3	20-22					747944-9
	NO	2	22-26					747944-8
	NO	1	26-30					747944-7
9	YES	3	20-22					747944-6
	YES	2	22-26					747944-5
	YES	1	26-30					747944-4
10	YES	3	20-22					747944-3
	YES	2	22-26					747944-2
	YES	1	26-30					747944-1
CONTACT FINISH	LOGO	11	WIRE RANGE					PART NUMBER



THIS DRAWING IS A CONTROLLED DOCUMENT.

DIMENSIONS: INCHES	TOLERANCES UNLESS OTHERWISE SPECIFIED:	DIN L VARELA -DOCK5 11-17-04	TE Connectivity
0 PLC ± -	1 PLC ± -	CHK J GERACE 11-17-04	NAME M WALMSLEY 11-17-04
2 PLC ± -	3 PLC ± .020	APVD	PRODUCT SPEC 108-40011 & 108-40030
4 PLC ± -	ANGLES ± -	APPLICATION SPEC	114-40002
MATERIAL	FINISH CONTACTS: SEE TABLE	WEIGHT 0.000000	SIZE CAGE CODE DRAWING NO RESTRICTED TO
		CUSTOMER DRAWING	A1 00779 C=747944

SCALE 4:1 SHEET 1 OF 1 REV AB

单击下面可查看定价，库存，交付和生命周期等信息

[>>TE Connectivity\(泰科\)](#)

[>>点击查看相关商品](#)