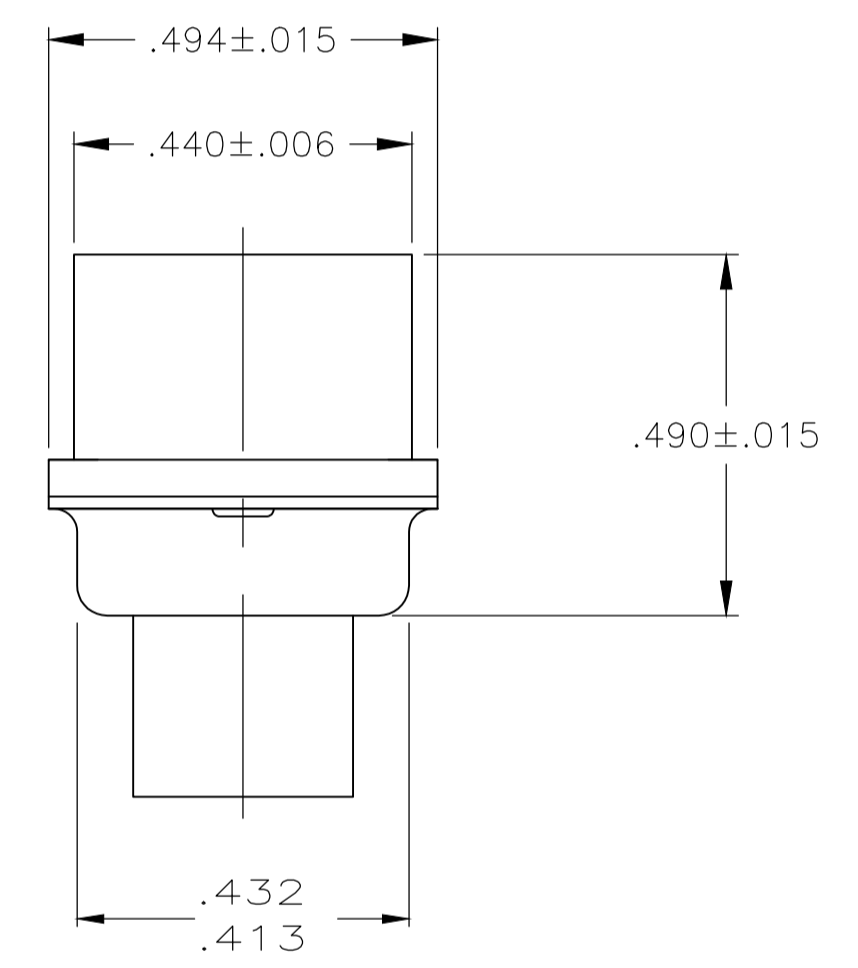
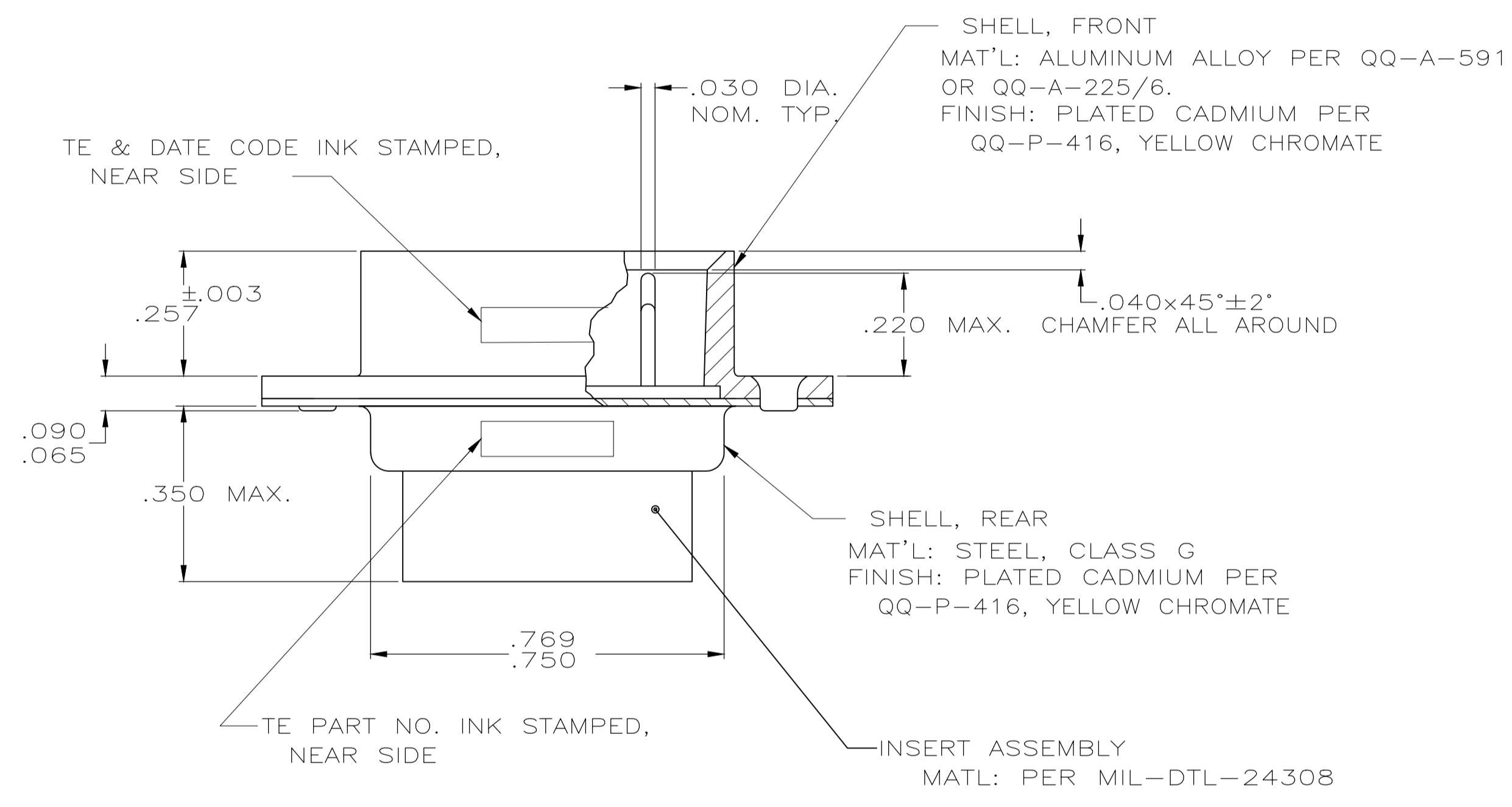
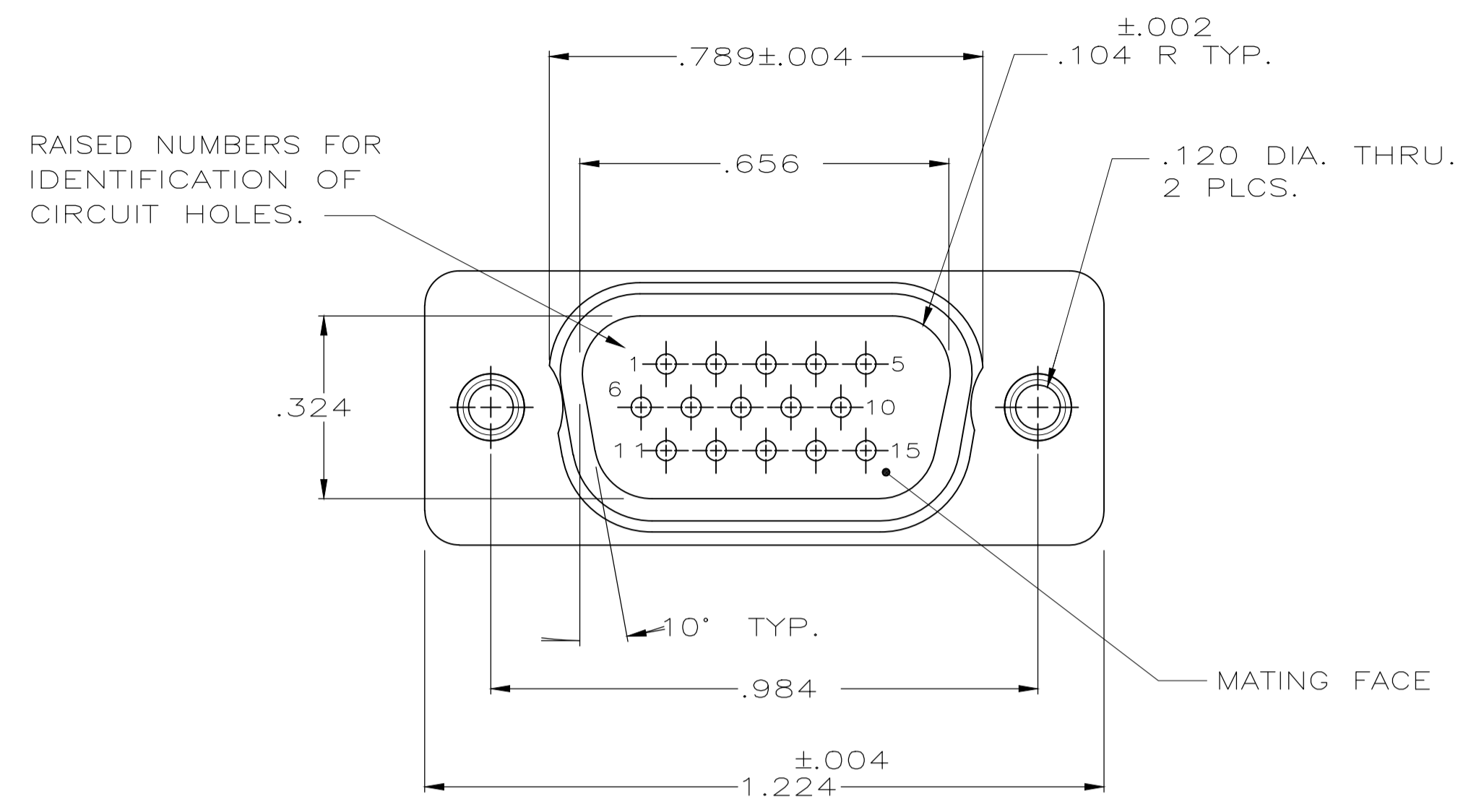


REVISIONS					
P	LTR	DESCRIPTION	DATE	DMN	APVD
M1	REV PER ECO	18-010893	9-17-18	CT	DM



- THIS PLUG WILL MATE WITH ANY 15 POSN., SIZE 1 RECEPTACLE IN AMPLIMITE SERIES.
- MAXIMUM WIRE INSULATION TO BE USED WITH THIS PLUG IS .054 DIA.
- SST RETENTION CLIPS ARE INCLUDED IN INSERTS.
- THIS PLUG IS DESIGNED TO CONFORM TO THE LATEST ISSUE OF MIL-C-24308.
- CONNECTOR SUPPLIED WITHOUT CONTACTS; SHOWN FOR ILLUSTRATION ONLY.
- THIS PLUG WILL ACCEPT SIZE 22 DM PIN CONTACT M39029/58-22-22D OR ANY AMP SIZE 22 DF PIN CONTACT.

213153-1  
PART NUMBER

THIS DRAWING IS A CONTROLLED DOCUMENT.		DIN D.D.ERDMAN 10-17-85	TE Connectivity	
DIMENSIONS: INCHES		CHK F.C.BALLEW III 10-25-85	NAME PLUG ASSY., AMPLIMITE, 15 POSN., SIZE 1, SERIES 90, BLINDMATE	
TOLERANCES UNLESS OTHERWISE SPECIFIED:		APVD	PRODUCT SPEC	
0 PLC ± - 1 PLC ± - 2 PLC ± - 3 PLC ± .005 4 PLC ± - ANGLES ± -		APPLICATION SPEC	RESTRICTED TO	
MATERIAL SEE CALLOUT	FINISH SEE CALLOUT	WEIGHT 0.000000	SIZE A1	CAGE CODE 00779
CUSTOMER DRAWING		DRAWING NO. 213153	SCALE 1:1 SHEET 1 OF 1 REV M1	

单击下面可查看定价，库存，交付和生命周期等信息

[>>TE Connectivity\(泰科\)](#)