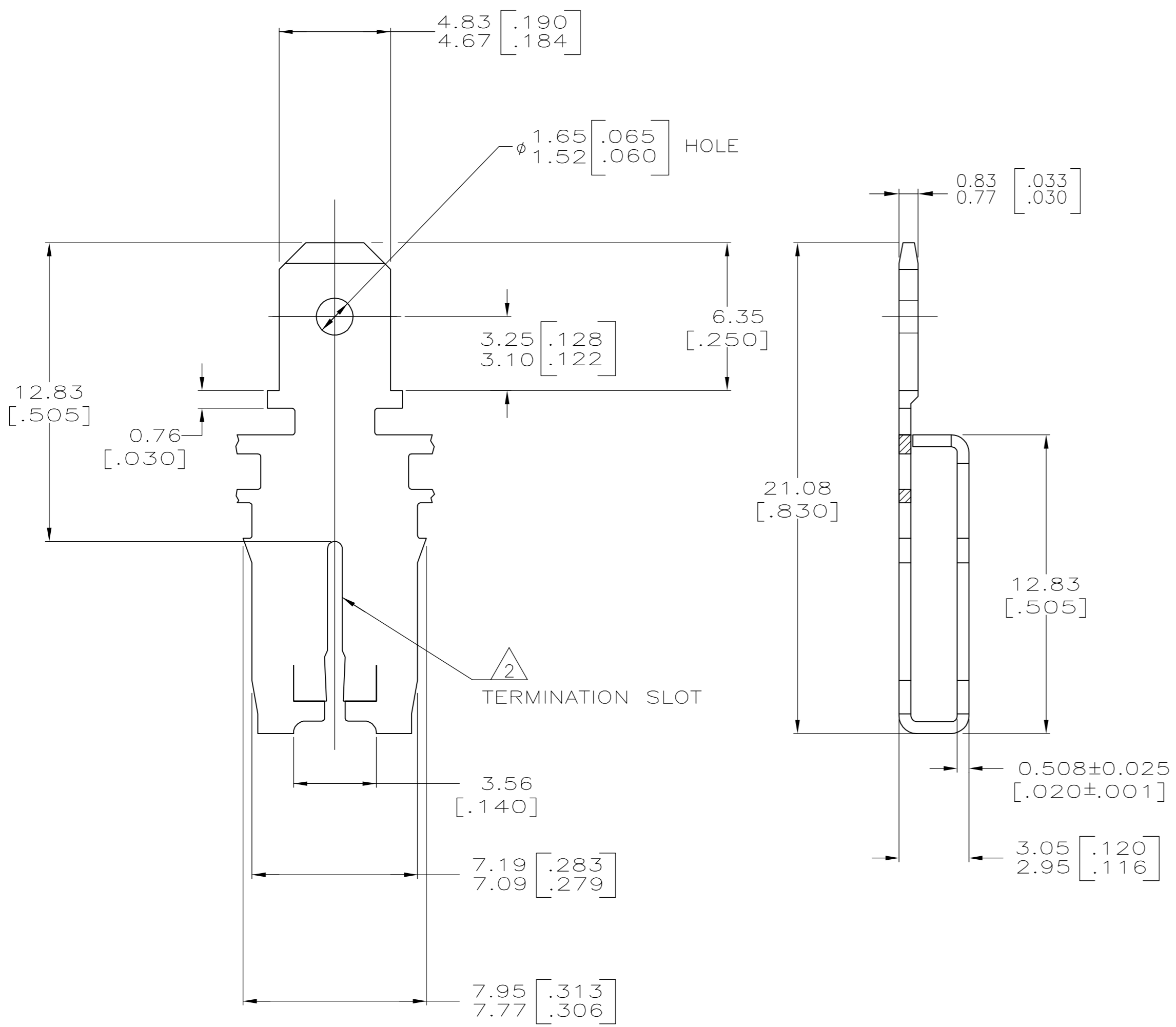
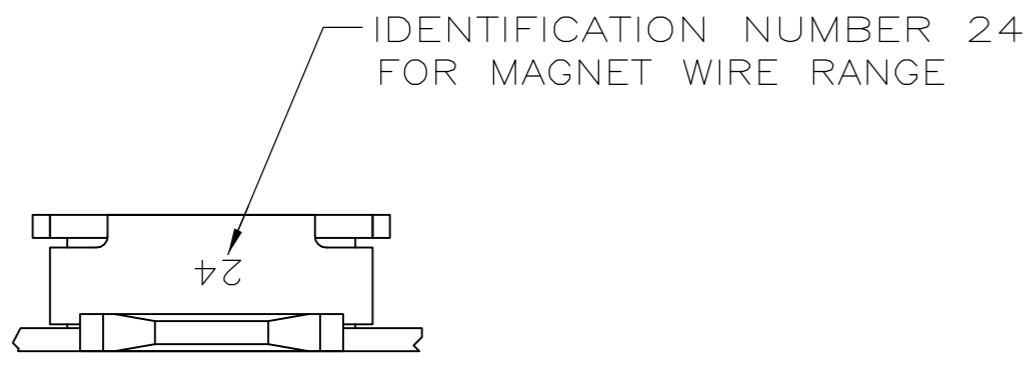
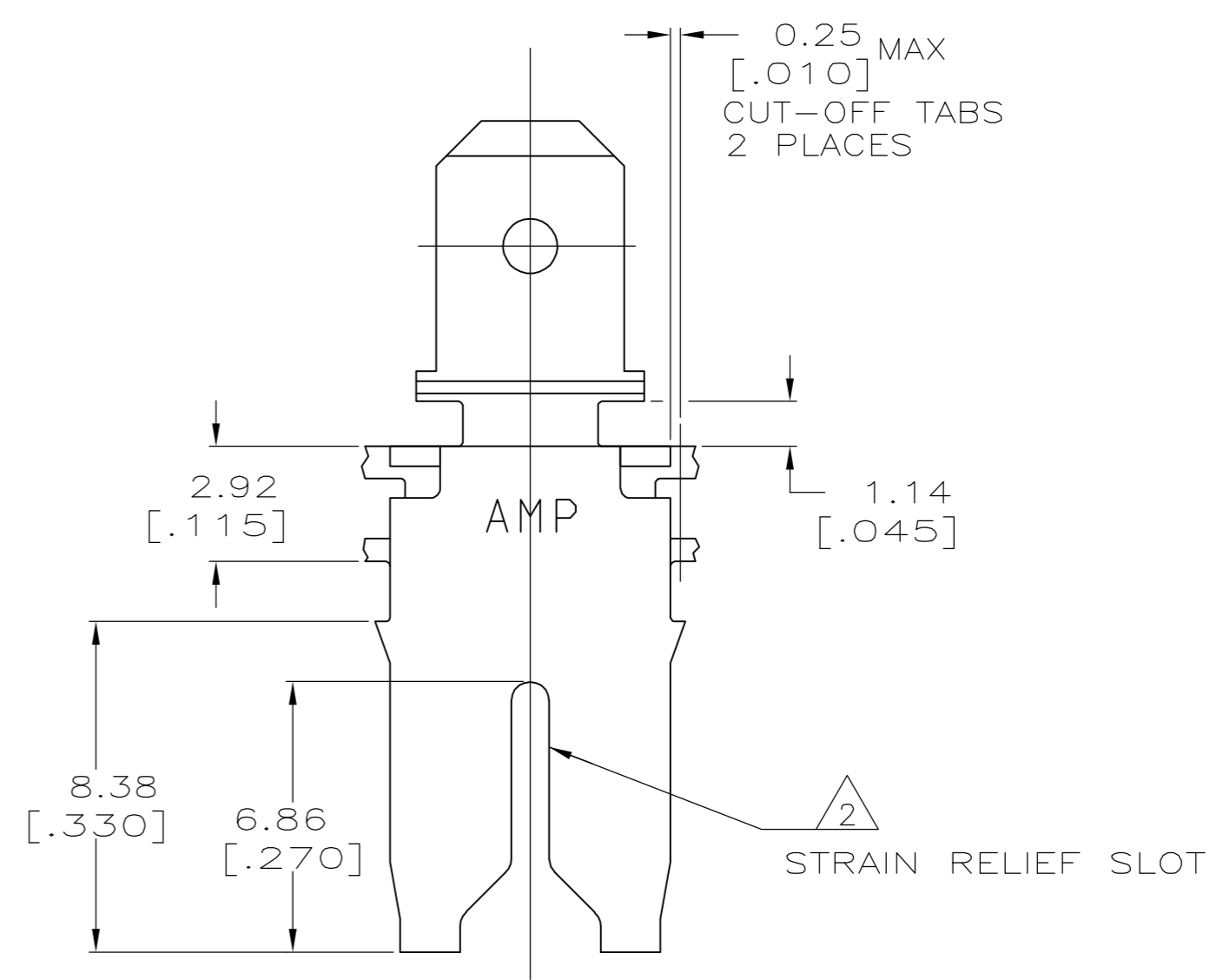


THIS DRAWING IS UNPUBLISHED. RELEASED FOR PUBLICATION
 © COPYRIGHT BY TYCO ELECTRONICS CORPORATION. ALL RIGHTS RESERVED.

LOC		DIST		REVISIONS			
P	LTR	DESCRIPTION		DATE	DWN	APVD	
AF	50	E		REVISED PER ECR-06-010427	30AUG06	HMR	KR



- 1 CONTINUOUS STRIP ON REELS WITH TERMINALS LOCATED ON 8.38±0.08 [.330±.003] CENTERS.
- 2 SLOT ACCEPTS 0.91-1.15mm [#19-#17] AWG COPPER MAGNET WIRE RANGE. 2 WIRES OF THE SAME SIZE AND TYPE PER SLOT.
- 3 AFTER INSERTION INTO PLASTIC HOLDER TAB PORTION MUST BE BENT OVER 45° TO 90° OR POTTED-IN TO PREVENT PULL-OUT WHEN MATING RECEPTACLE IS DISCONNECTED.
- 4 VARNISH RESIST OVER 0.002032 [.000080] MIN TIN PLATE
- 5 PRELIMINARY - NOT FOR PRODUCTION



4	5
0.002032 [.000080] MIN TIN PL	1217090-2
FINISH	PART NUMBER
	1217090-1

THIS DRAWING IS A CONTROLLED DOCUMENT.		DWN	27MAY98	Tyco Electronics Corporation Harrisburg, PA 17105-3608
DIMENSIONS: mm [INCHES]		CHK	27MAY98	
TOLERANCES UNLESS OTHERWISE SPECIFIED:		JEFF R. RUTH	27MAY98	
0 PLC ± - 1 PLC ± - 2 PLC ± 0.25[.010] 3 PLC ± - 4 PLC ± - ANGLES ± -		APVD	27MAY98	
MATERIAL: 082 BRASS		FINISH: SEE TABLE		NAME: NELSON E. NEFF
		108-2053		PRODUCT SPEC
		114-2066		APPLICATION SPEC
		WEIGHT: -		SIZE: A2
		CUSTOMER DRAWING		CAGE CODE: 00779
		SCALE: 6:1		DRAWING NO: 1217090
		SHEET: 1 of 1		RESTRICTED TO: -
		REV: E		

单击下面可查看定价，库存，交付和生命周期等信息

[>>TE Connectivity\(泰科\)](#)