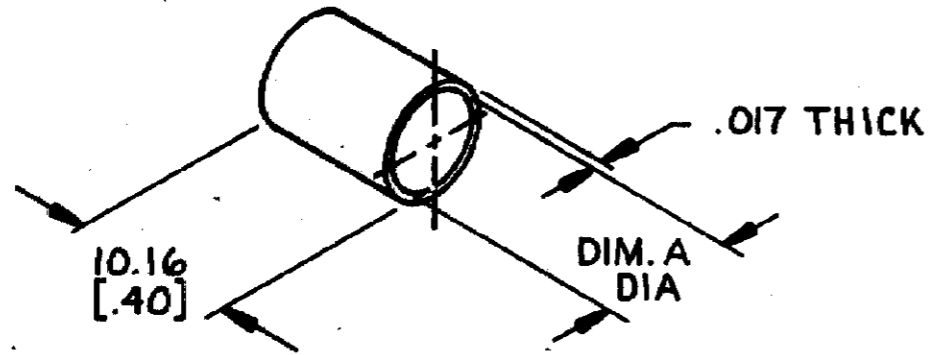


THIS DRAWING IS UNPUBLISHED. RELEASED FOR PUBLICATION, 19
 © COPYRIGHT 19 BY AMP INCORPORATED, HARRISBURG, PA. ALL INTERNATIONAL RIGHTS RESERVED. AMP PRODUCTS MAY BE COVERED BY U.S. AND FOREIGN PATENTS AND/OR PATENTS PENDING.

		2		1		LOC AA	DIST 20
REVISIONS							
P	F	ZONE	LTR	DESCRIPTION	DATE	APPROVED	
			C	OBSOLETE:-5,-6 & -7; ECN AA-6958	1-8-91	LHS	AH

1. DIMENSIONS IN BRACKETS [] ARE IN INCHES.



12.70	[.500]	554266-8
7.62	[.300]	554266-4
6.35	[.250]	554266-3
DIM. A		PART NO

METRIC

UNLESS OTHERWISE SPECIFIED DIMENSIONS ARE IN MM TOLERANCES ON: DECIMALS ± ANGLES ±	CONTRACT NO DR S. Posebanck 9-7-83		AMP AMP INCORPORATED Harrisburg, Pa.		
	CHK Mriel 9-9-83				
MATERIAL BRASS	APPD [Signature] 9/13/83		NAME FERRULE, INNER		
FINISH	DSGN APPD	OTHER APPD	SIZE B	PSCM NO 00779	DRAWING NO 554266
			SCALE 2:1	SHEET 1 OF 1	

CUSTOMER DRAWING

单击下面可查看定价，库存，交付和生命周期等信息

[>>TE Connectivity\(泰科\)](#)