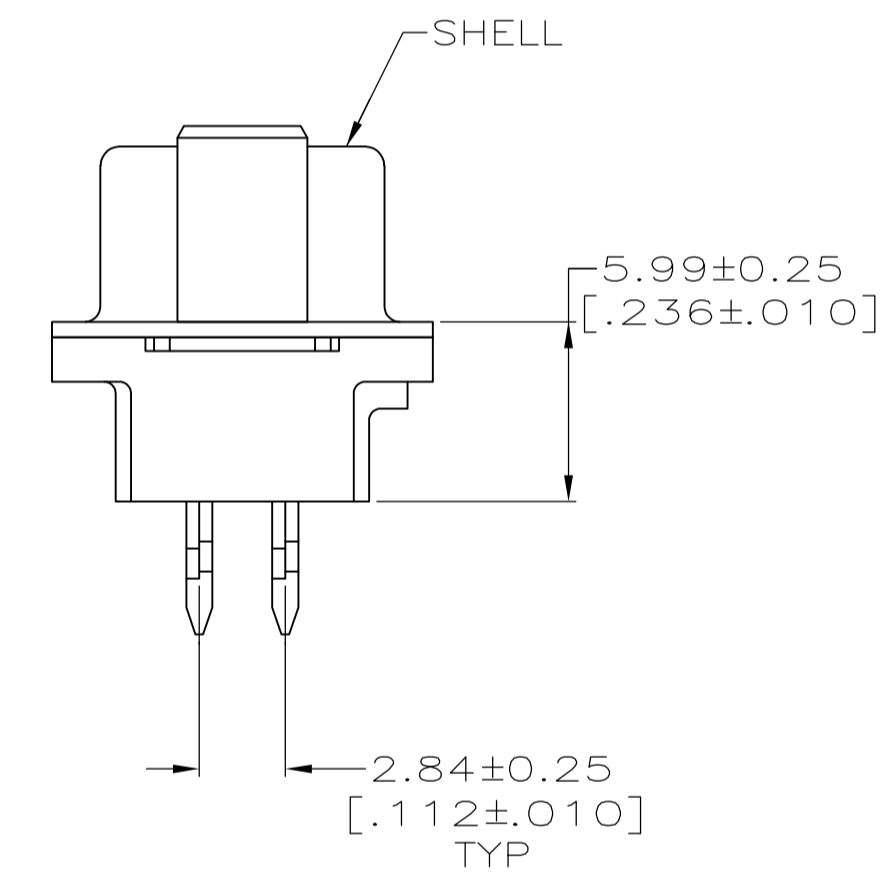
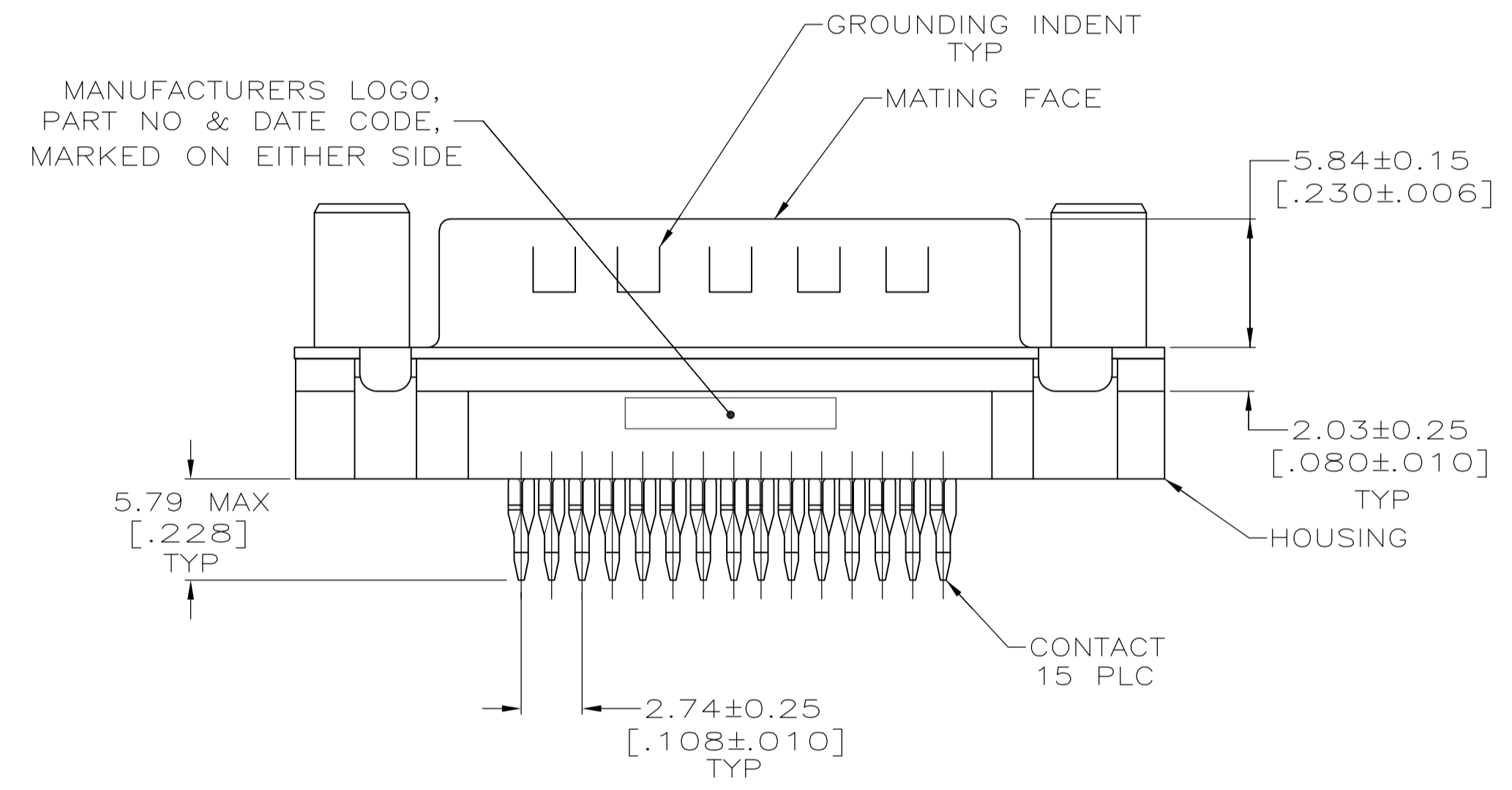
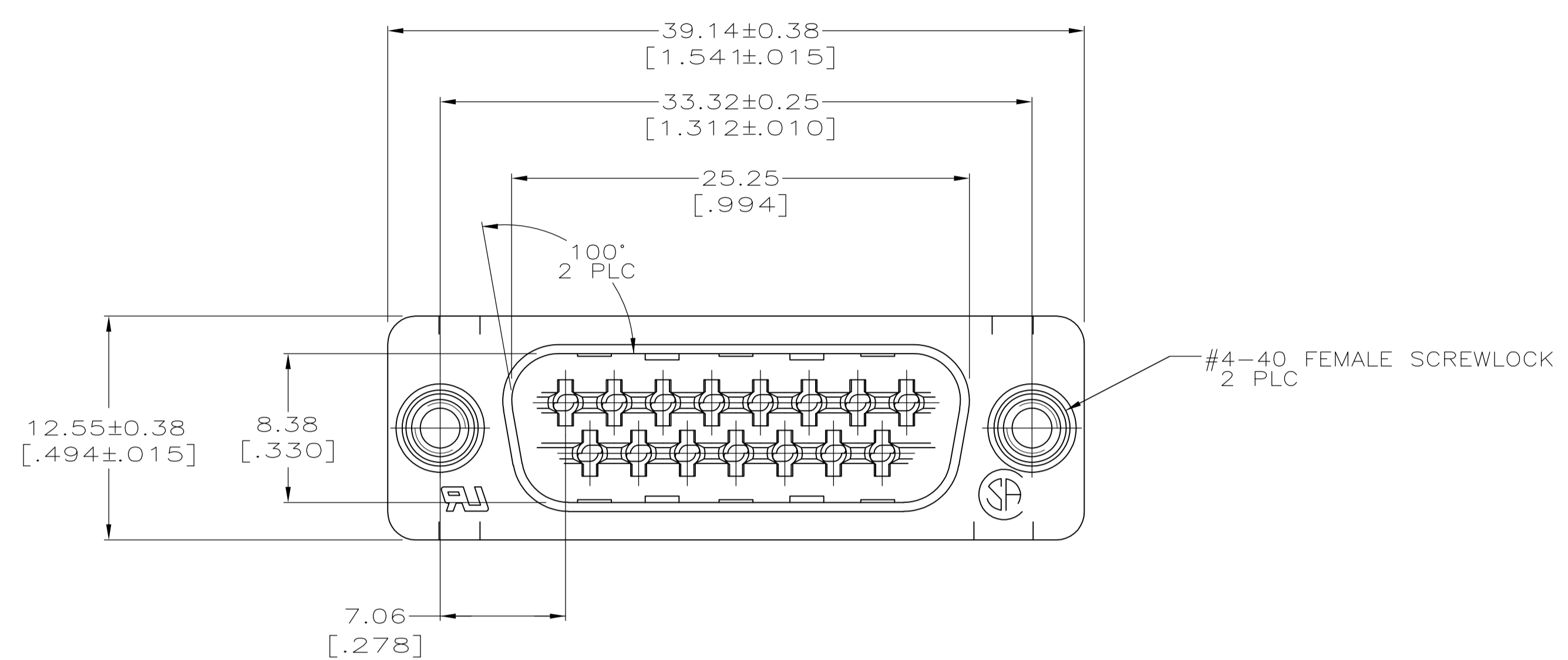


LOC		DIST		REVISIONS			
GP	00	REV	DATE	BY	CHK	APPV	
C		REVISED PER ECO-12-000090	27JAN2012	CJV	SLB		



- 1 FOR USE WITH 2.36 [.093] MINIMUM THICK PRINTED CIRCUIT BOARD. REFER TO APPLICATION SPECIFICATION FOR PRINTED CIRCUIT BOARD LAYOUT DIMENSIONS AND FINISH RECOMMENDATIONS.
- 2 HOUSING: NYLON, UL 94V-0 RATED, BLACK.
- 3 CONTACTS: COPPER ALLOY
- 4 SHELL: CARBON STEEL
- 5 SCREWLOCKS: ZINC
- 6 SHELL: 5.08μm [.000200] MIN TIN OVER 2.54μm [.000100] MIN COPPER.
- 7 CONTACTS:  
0.76 MICRO METERS [.000030] MINIMUM GOLD IN MATING AREA.  
2.54 MICRO METERS [.000100] MINIMUM TIN ON COMPLIANT PIN.  
ALL OVER 1.27 MICRO METERS [.000050] MINIMUM NICKEL.  
OR  
GOLD FLASH OVER PALLADIUM NICKEL.  
0.76 MICRO METERS [.000030] MINIMUM TOTAL IN MATING AREA.  
2.54 MICRO METERS [.000100] MINIMUM TIN ON COMPLIANT PIN.  
ALL OVER 1.27 MICRO METERS [.000050] MINIMUM NICKEL.
- 8 DATUMS AND BASIC DIMENSIONS ESTABLISHED BY CUSTOMERS.
- 9 SCREWLOCKS: CLEAR CHROMATE

5787177-1  
PART NO

**COPYRIGHT 2005  
TYCO ELECTRONICS CORP  
ALL RIGHTS RESERVED**

THIS DRAWING IS A CONTROLLED DOCUMENT. DIMENSIONING AND TOLERANCING PER ASME Y14.5M-2009		DIN L. VARELA - DOCKS 03-31-05	TE Connectivity	
DIMENSIONS: mm[INCHES]		CHK S. BOLASH 03-31-05	NAME	
TOLERANCES UNLESS OTHERWISE SPECIFIED:		APPV M. WALMSLEY 03-31-05	PRODUCT SPEC	
0 PLC ± -	1 PLC ± -	108-40014		
2 PLC ± 0.13 [.005]	3 PLC ± -	APPLICATION SPEC		
4 PLC ± -	ANGLES ± -	114-40026 1		
MATERIAL	FINISH	SIZE	CAGE CODE	DRAWING NO
2 3 4 5	6 7 9	A1	00779	5787177
CUSTOMER DRAWING		SCALE	SHEET	REV
		4:1	1 of 1	C

单击下面可查看定价，库存，交付和生命周期等信息

[>>TE Connectivity\(泰科\)](#)

[>>点击查看相关商品](#)