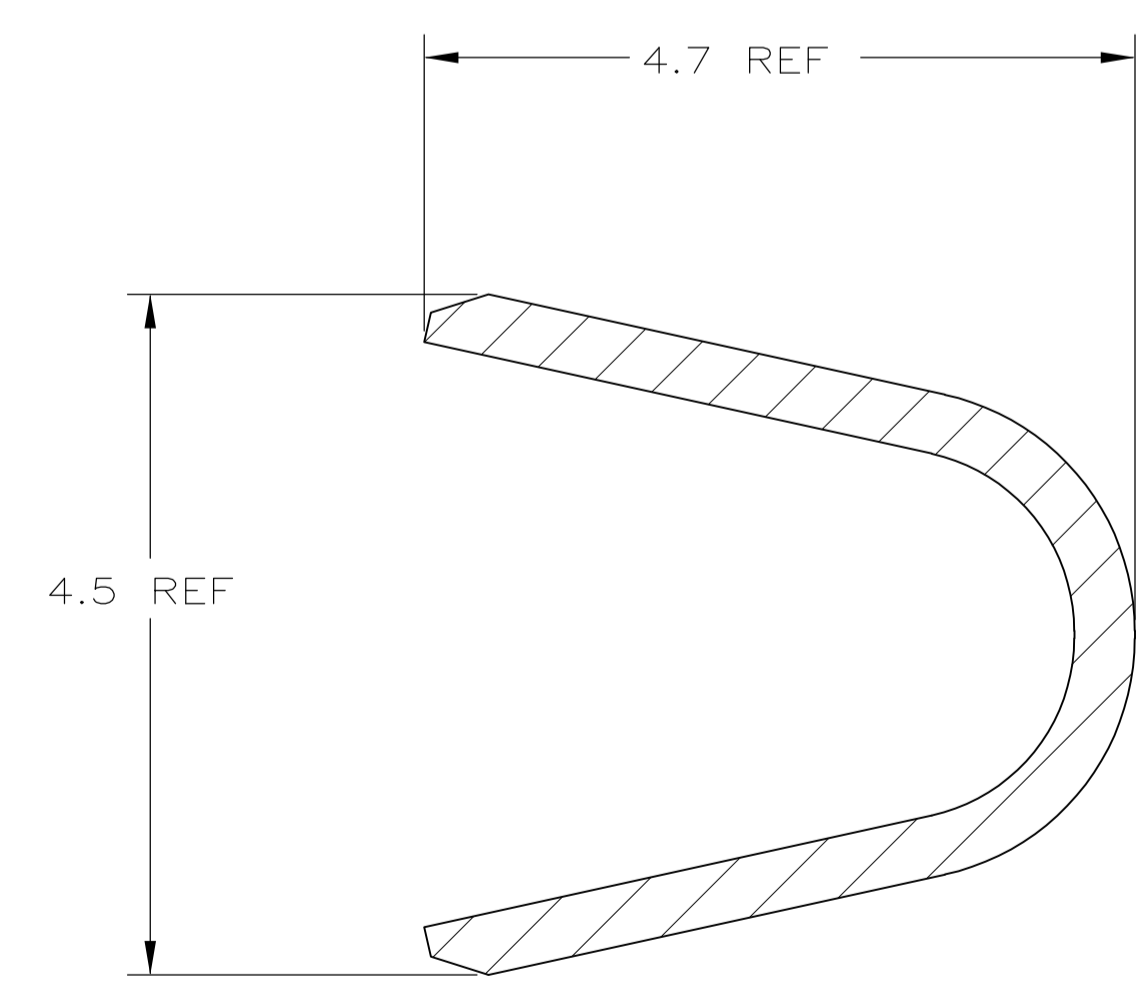


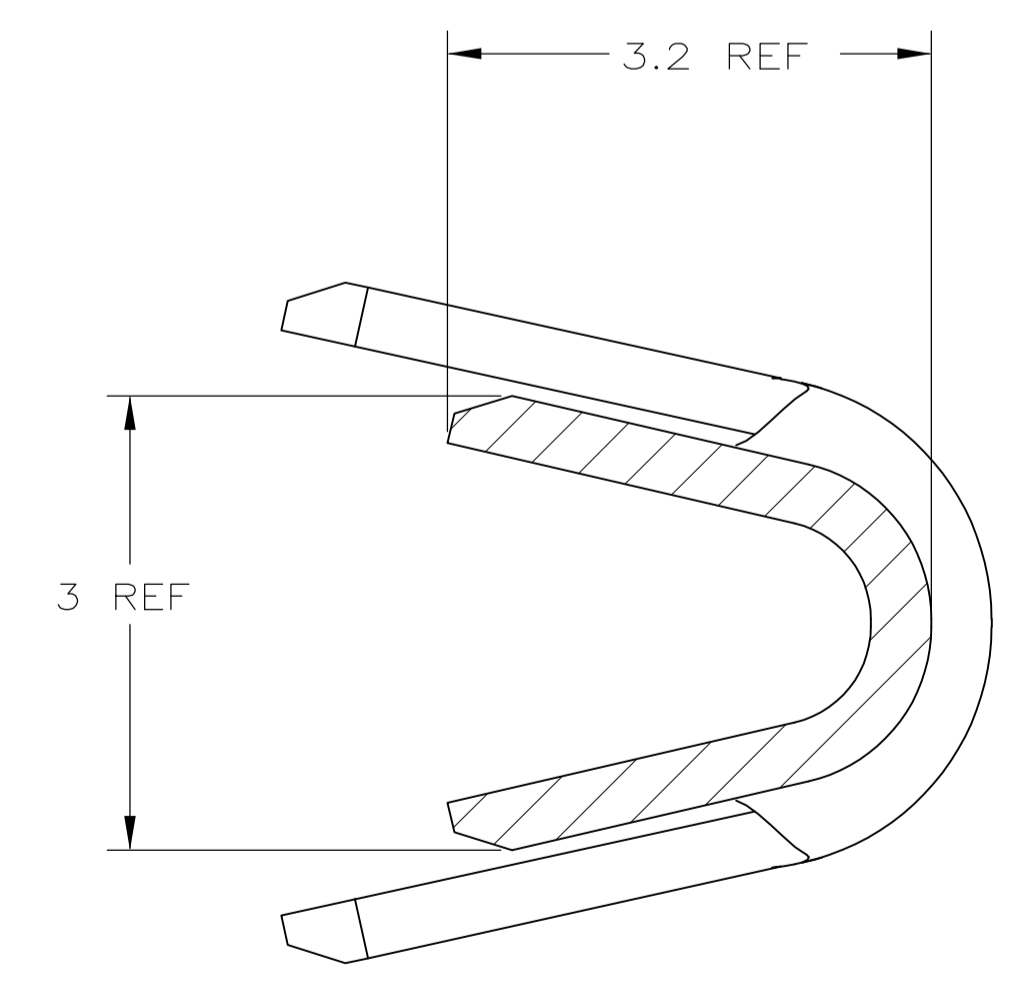
SCALE 5:1

SCALE 12:1

- 1 MATERIAL: BRASS
- 2 MATERIAL: HIGH CONDUCTIVITY COPPER ALLOY
- 3 FINISH: CONTACT MATING AREA .38µm MIN Au; CRIMP AREA 2.03µm MIN. Sn; UNDERPLATE OVERALL 1.27µm MIN. Ni
- 4 FINISH: CONTACT MATING AREA 1.27µm MIN Au; CRIMP AREA 2.03µm MIN. Sn; UNDERPLATE OVERALL 1.27µm MIN Ni
- 5 CONTACT SHOWN W/O CARRIER, OR HIDDEN LINES, FOR CLARITY
- 6 CUT OFF TO BE .13 MAX
- 7 INSULATION DIAMETER : 2.0-3.1 mm
- 8 WIRE DIAMETER: 16-20 AWG
- 10 THIS PRODUCT HAS NOT COMPLETED VALIDATION TESTING.
- 11 FINISH: ENTIRE CONTACT 1.27µm MIN Au; UNDERPLATE OVERALL 1.27µm MIN Ni



SECTION A-A
SCALE 20:1



SECTION B-B
SCALE 20:1

MATERIAL	LOOSE PIECE	FINISH	DIM "A"	PART NO
1	6	11	11.4	1-1489128-6
2	6	11	9.8	1-1489128-5
1	6	11	11.4	1-1489128-4
1	6	11	9.8	1-1489128-3
2	-	4	11.4	1-1489128-0
2	-	4	9.8	1489128-9
1	-	3	11.4	1489128-8
1	-	3	9.8	1489128-7
1	-	4	11.4	1489128-3
1	-	4	9.8	1489128-2

THIS DRAWING IS A CONTROLLED DOCUMENT. DATE: 15 MAY 02

AL FRANTUM
 Tyco Electronics Corporation
 Middletown, Pa 17057

MINI POWER DRAWER
 CRIMP PLUG CONTACT
 16 - 20 GAUGE

PRODUCT SPEC: 108-1998
 APPLICATION SPEC: 114-13067

SIZE: A1
 CAGE CODE: 00779
 DRAWING NO: 1489128

RESTRICTED TO: -
 SCALE: 4:1
 SHEET: 1 OF 1
 REV: C

单击下面可查看定价，库存，交付和生命周期等信息

[>>TE Connectivity\(泰科\)](#)