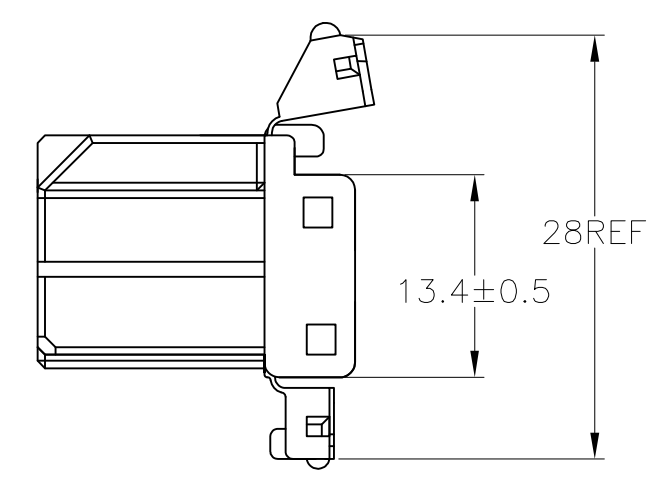
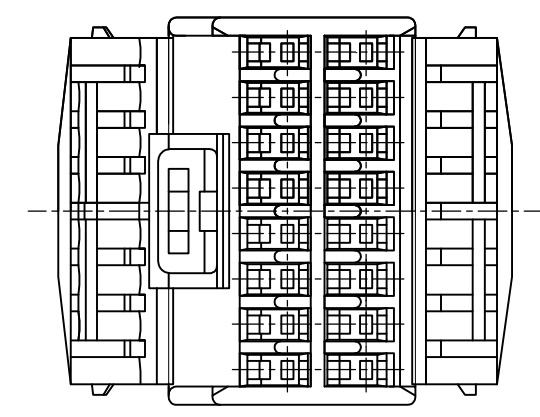
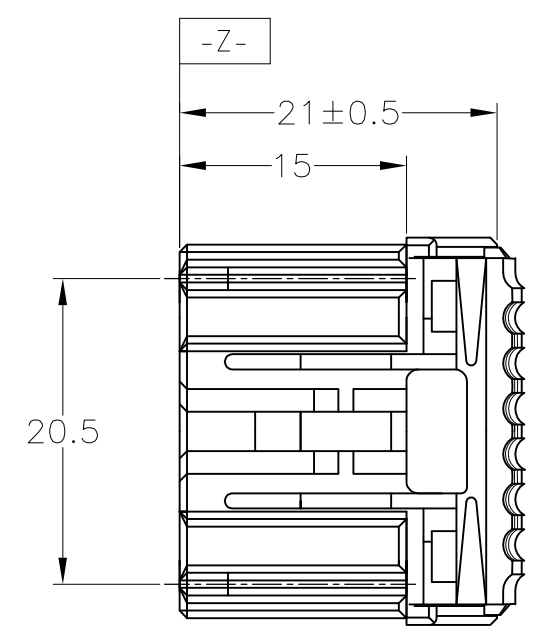
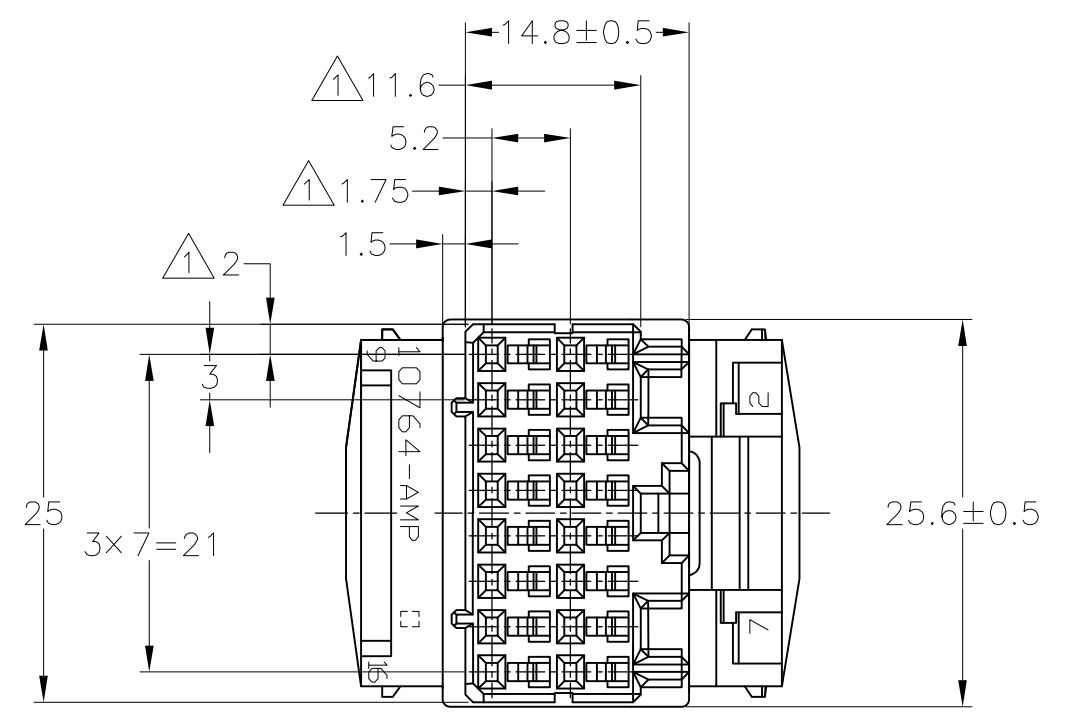


THIS DRAWING IS UNPUBLISHED. RELEASED FOR PUBLICATION
 © COPYRIGHT - By - ALL RIGHTS RESERVED.

LOC	DIST	REVISIONS					
J	-	P	LTR	DESCRIPTION	DATE	DWN	APVD
			C2	REVISED PER ECO-11-005140	29MAR11	RK	HMR



- ① MUST BE KEPT BETWEEN [-Z-] AND 2mm
 - 2. THE MATING CAP HOUSING PART NUMBER; 174518
 - 3. APPLIED CONTACT PART NUMBER; 173716, 175094
 - 4. APPLICABLE PRODUCT SPEC NO. 108-5280
- ① [-Z-] 面より 2mm の範囲で測定。
 - 2. 嵌合相手ハウジング型番; 174518
 - 3. 内装するリセプタクルコンタクト型番; 173716, 175094
 - 4. 適用製品規格番号; 108-5280

黄	YELLOW	174514-7
淡灰	LIGHT GRAY	6-174514-6
灰	GRAY	174514-6
白	WHITE	174514-1
色	COLOR	PART NUMBER

TOLERANCE UNLESS OTHERWISE SPECIFIED:
 一般公差

0 < x ≤ 10	: ±0.2
10 < x ≤ 30	: ±0.25
30 < x ≤ 100	: ±0.3
ANGLE ; 角度	: ±3°

THIS DRAWING IS A CONTROLLED DOCUMENT.

DIMENSIONS: mm	TOLERANCES UNLESS OTHERWISE SPECIFIED:
	0 PLC ± -
	1 PLC ± -
	2 PLC ± -
	3 PLC ± -
	4 PLC ± -
	ANGLES ± -
MATERIAL: PBT	FINISH: -

DWN: T.SHINOHARA 07SEP10	STE TE Connectivity	
CHK: K.BETSUI 07SEP10		
APVD: K.BETSUI 07SEP10	NAME	
PRODUCT SPEC: SEE NOTE 4	HYBRID I/O CONNECTOR 16POSITION PLUG HOUSING	
APPLICATION SPEC: -	SIZE: A3	CAGE CODE: 00779
WEIGHT: -	DRAWING NO: C-174514	RESTRICTED TO: -
CUSTOMER DRAWING	SCALE: 2:1	SHEET: 1 OF 1
		REV: C2

单击下面可查看定价，库存，交付和生命周期等信息

[>>TE Connectivity\(泰科\)](#)