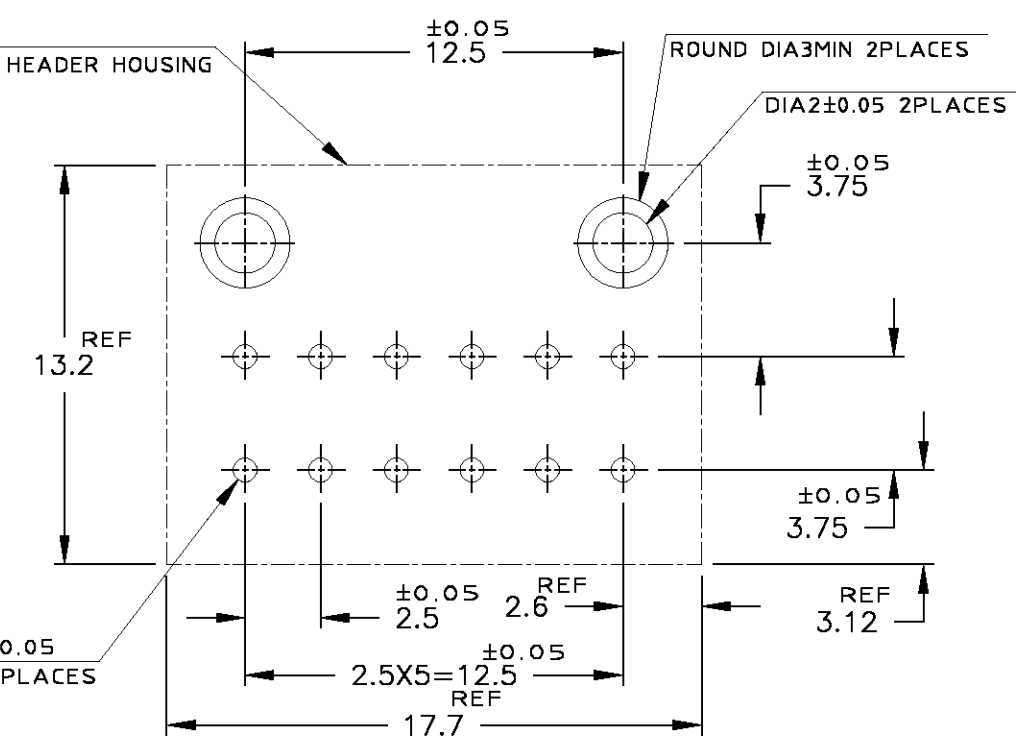
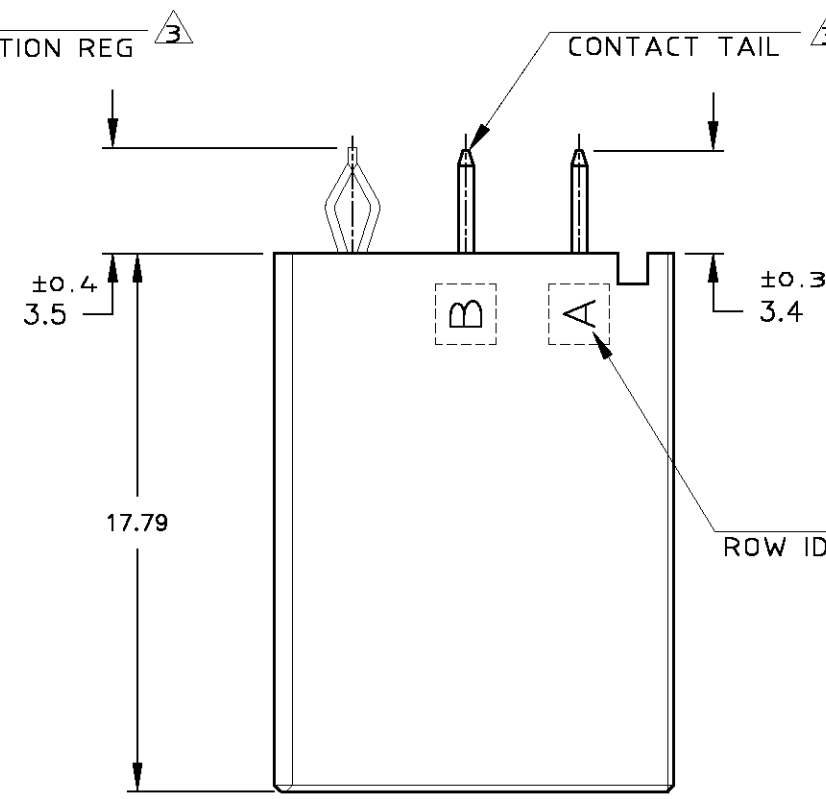
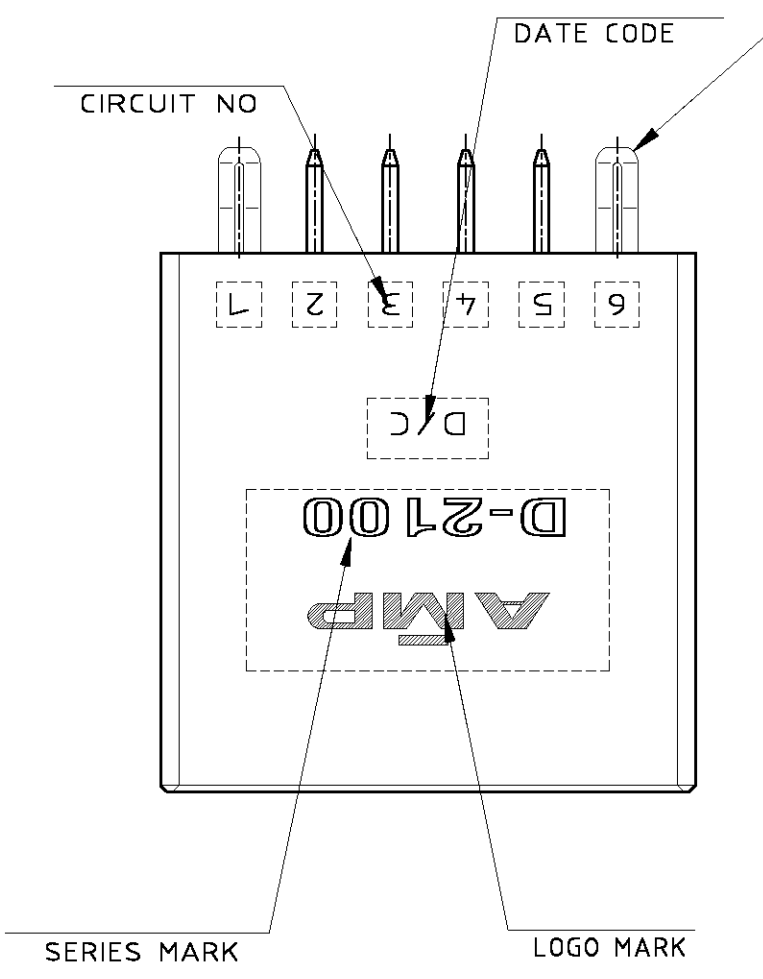
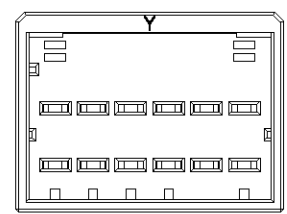


LOC	DIST	REVISIONS					
J		P	LTR	DESCRIPTION	DATE	DWN	APVD
		D		REVISED	25APR11	MM	NY

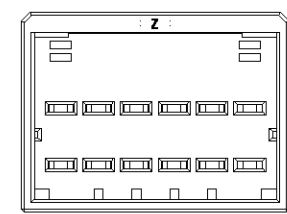
1318126-1/-2/-3 : AS SHOWN
9-1318126-2



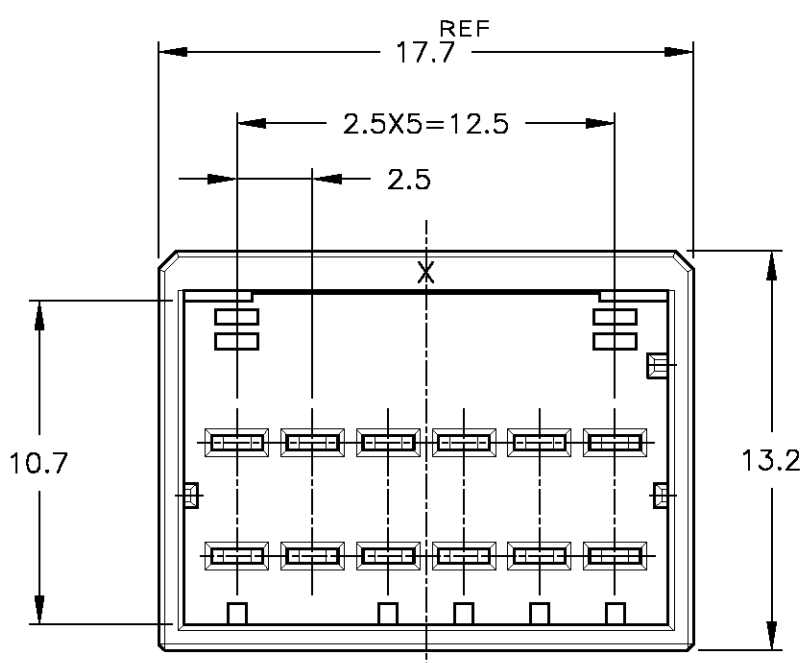
RECOMENDED PC BOARD HOLE PATTERN (TOL: ±0.05)
PC BOARD THICKNESS: 1.6 ± 0.3
(CONNECTOR MOUNT SIDE)



9-1318126-2
1318126-2
(KEYING Y)
SCALE: 2-1



1318126-3
(KEYING Z)
SCALE: 2-1



1318126-1
(KEYING X)

NOTES

- MATERIAL: HOUSING: GLASS FILLED THERMO PLASTIC, POLYESTER (94V-0), COLOR: 1318126-1/-2/-3 : BLACK, 9-1318126-2 : NATURAL
TAB CONTACT: COPPER ALLOY
RETENTION LEG: BRASS
- FINISH (CONTACT AREA): 0.38 μm MIN GOLD PLATING OVER NI PLATING
- FINISH (RETENTION LEG): TIN PLATED (CONTACT TAIL) OVER NICKEL

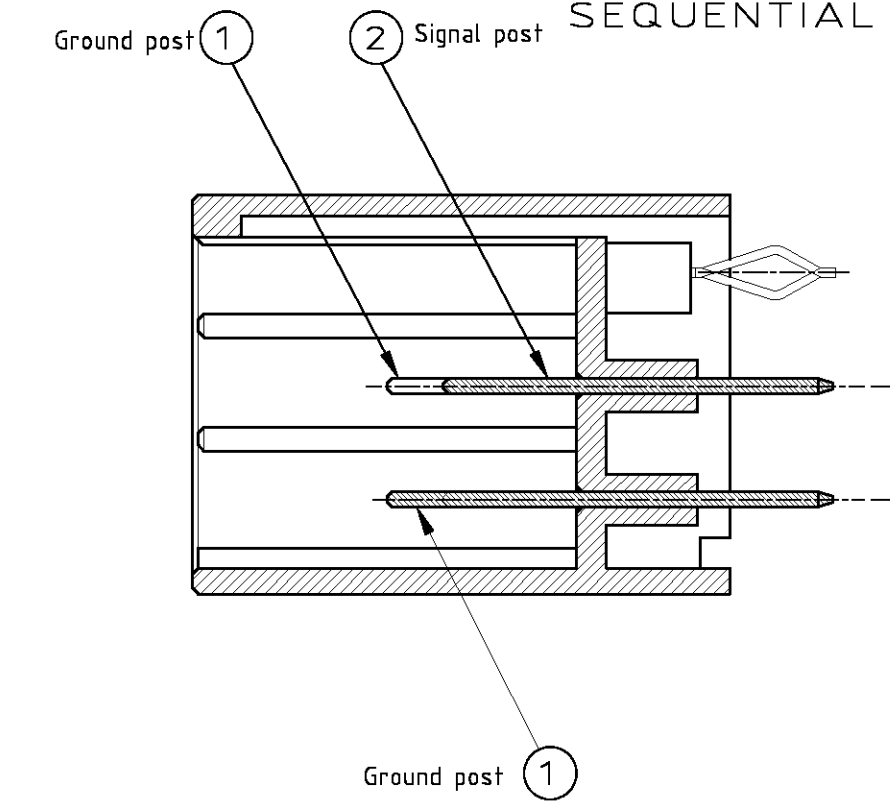
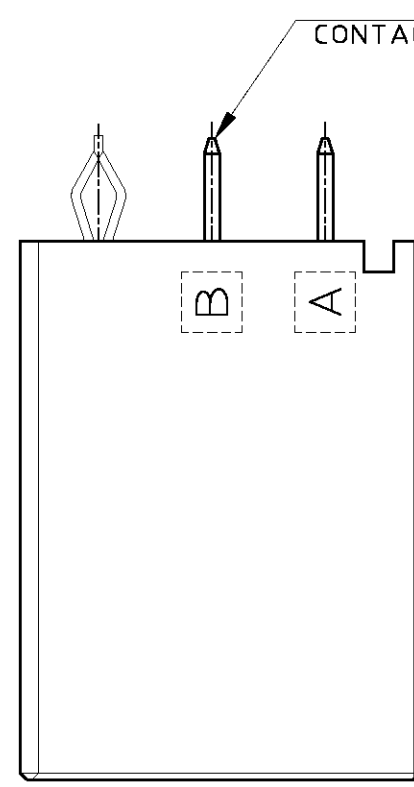
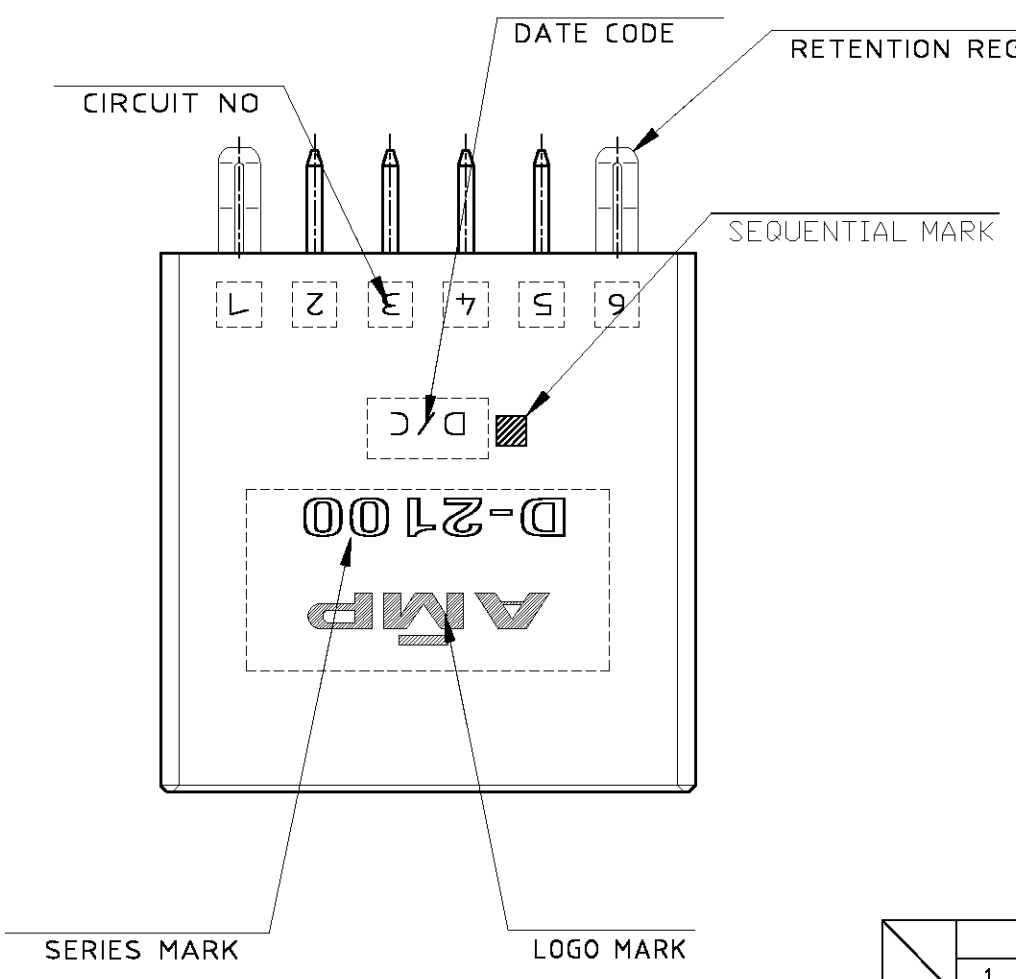
Y	BLACK	SEQUENTIAL SHEET 2	1-1318126-2
X	BLACK	SEQUENTIAL SHEET 2	1-1318126-1
Z	BLACK	NORMAL	1318126-3
Y	NATURAL	NORMAL	9-1318126-2
Y	BLACK	NORMAL	1318126-2
X	BLACK	NORMAL	1318126-1
KEY	COLOR	TYPE	PART NO

DIMENSIONS: mm		TOLERANCES UNLESS OTHERWISE SPECIFIED		DWN: K. IKEDA 7/DEC/98		CHK: N. MATSUBARA 7/DEC/98		APVD: I. HASEGAWA 7/DEC/98		NAME		TE Connectivity	
100 : ±0.3		300 >10 : ±0.35		PRODUCT SPEC		108-5619		APPLICATION SPEC		114-5258		DOUBLE ROW HEADER ASS'Y 12P ("V" TYPE) <DYNAMIC D-2100D>	
1000 >30 : ±0.4		ANGLE: ±3'		MATERIAL		FINISH		WEIGHT		SIZE: A3		CAGE CODE: 00779	
SEE NOTES		SEE NOTES		CUSTOMER DRAWING		DRAWING NO: C-1318126		RESTRICTED TO: -		SCALE: 4-1		SHEET: 1 OF 2	

LOC	DIST
J	

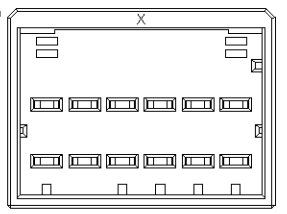
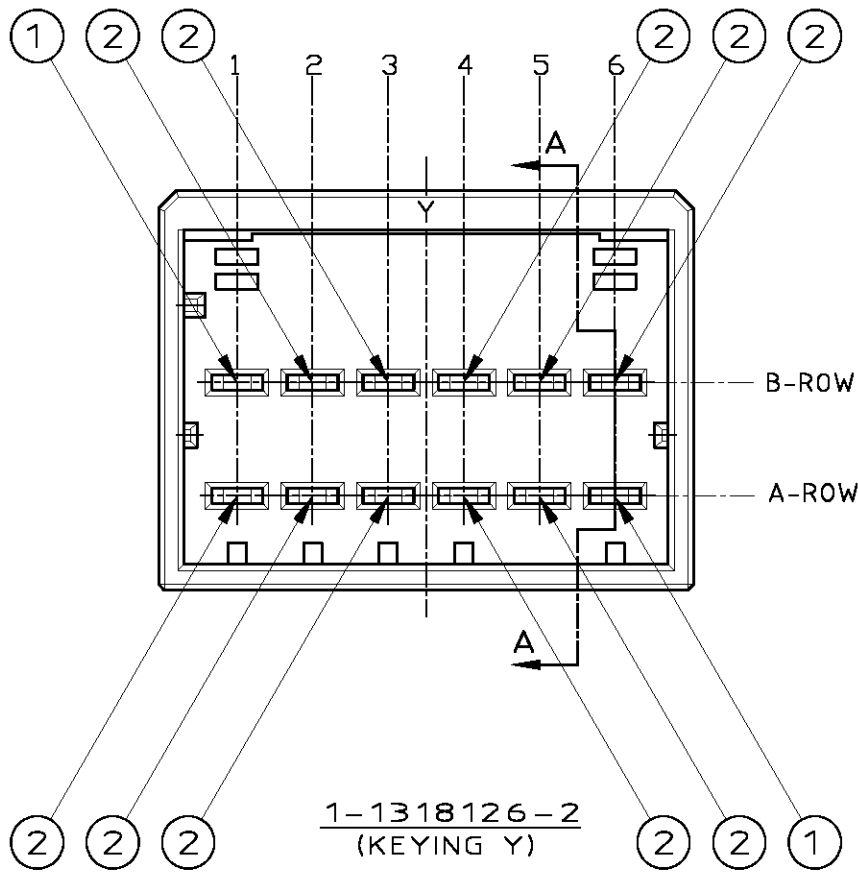
REVISIONS					
P	LTR	DESCRIPTION	ECN	DATE	APVD
		SEE SHEET 1			

1-1318126-1,2; AS SHOWN SEQUENTIAL TYPE



		CIRCUIT NO					
		1	2	3	4	5	6
R O W	B	①	②	②	②	②	②
	A	②	②	②	②	②	①

POINT OF SEQUENTIAL
1-1318126-1,2



1-1318126-1
(KEYING X)
SCALE: 2-1

1-1318126-2
(KEYING Y)

NOTES

- 1. MATERIAL: HOUSING: GLASS FILLED THERMO PLASTIC, POLYESTER(94V-0), COLOR: BLACK
TAB CONTACT: COPPER ALLOY
RETENTION LEG: BRASS
- 2. FINISH (CONTACT AREA): 0.38μm MIN GOLD PLATING OVER Ni PLATING
- 3. FINISH (RETENTION LEG): TIN PLATED (CONTACT TAIL) OVER NICKEL

DIMENSIONS: mm		TOLERANCES UNLESS OTHERWISE SPECIFIED		DWN K.IKEDA 7/DEC/98 CHK N.MATSUBARA 7/DEC/98 APVD I.HASEGAWA 7/DEC/98		TE Connectivity	
		100 ±0.3 300 >10 ±0.35 1000 >30 ±0.4 ANGLE: ±3°		PRODUCT SPEC 108-5619		NAME DOUBLE ROW HEADER ASS'Y 12P ("V" TYPE) <DYNAMIC D-2100D>	
MATERIAL SEE NOTES		FINISH SEE NOTES		APPLICATION SPEC 114-5258		DRAWING NO C-1318126	
				WEIGHT T1		RESTRICTED TO -	
CUSTOMER DRAWING				SCALE 4-1		SHEET 2 OF 2	
						REV D	

单击下面可查看定价，库存，交付和生命周期等信息

[>>TE Connectivity\(泰科\)](#)