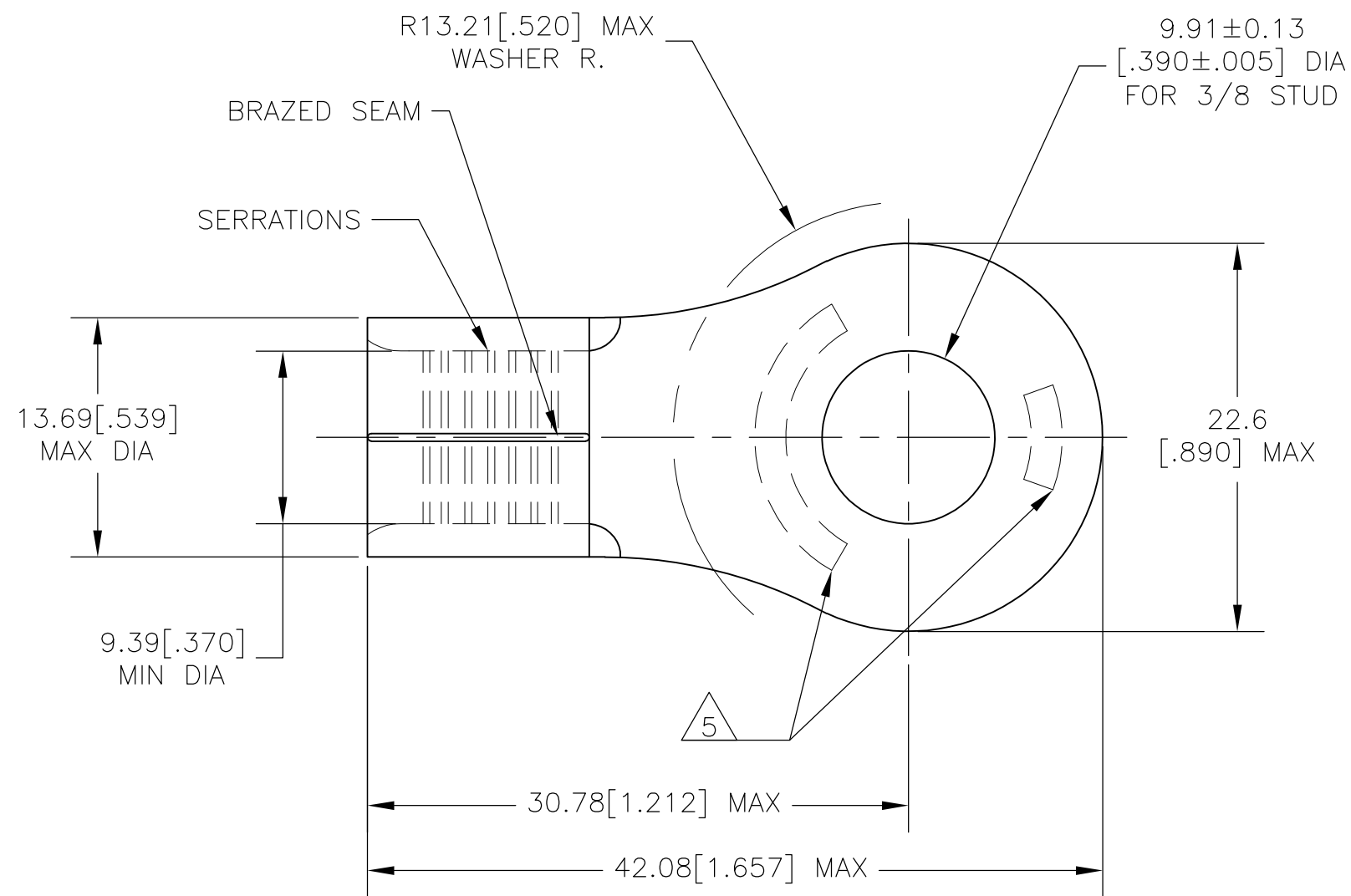


THIS DRAWING IS UNPUBLISHED. RELEASED FOR PUBLICATION
 © COPYRIGHT - By - ALL RIGHTS RESERVED.

LOC	DIST	REVISIONS			
P	LTR	DESCRIPTION	DATE	DWN	APVD
G	14	E2	REVISED PER ECO-15-006978	06JUN2015	NK MM



- 1 TONGUE THK IS 1.80±0.06[.070±.002]
- △2 TIN PLATE PER ASTM B545 ANNEALED.
- 3 NOTE DELETED.
- 4 WIRE CROSS SECTIONAL AREA RANGE: 26.7-42.4mm² [52,600-83,700] CMA.
- △5 STAMP AMP 2W*, 60-75 APPROX AS SHOWN.

△2	35184
FINISH	PART NO

THIS DRAWING IS A CONTROLLED DOCUMENT.		DWN	jr ruth	29OCT07	STE TE Connectivity													
DIMENSIONS: mm[INCHES]		CHK	MJ SPICER	29OCT07														
TOLERANCES UNLESS OTHERWISE SPECIFIED:		APVD	MJ SPICER	29OCT07	NAME													
<table border="0"> <tr><td>0 PLC</td><td>± -</td></tr> <tr><td>1 PLC</td><td>± -</td></tr> <tr><td>2 PLC</td><td>± 0.20[.008]</td></tr> <tr><td>3 PLC</td><td>± -</td></tr> <tr><td>4 PLC</td><td>± -</td></tr> <tr><td>ANGLES</td><td>± 5°</td></tr> </table>		0 PLC	± -	1 PLC	± -	2 PLC	± 0.20[.008]	3 PLC	± -	4 PLC	± -	ANGLES	± 5°	PRODUCT SPEC		TERMINAL, SOLISTRAND, RING TONGUE, WIRE SIZE : #2		
0 PLC	± -																	
1 PLC	± -																	
2 PLC	± 0.20[.008]																	
3 PLC	± -																	
4 PLC	± -																	
ANGLES	± 5°																	
MATERIAL		APPLICATION SPEC		RESTRICTED TO														
COPPER ASTM B152		FINISH		SEE TABLE														
		WEIGHT	-	SIZE	A3	CAGE CODE	00779											
		CUSTOMER DRAWING		DRAWING NO	C-35184		REV											
				SCALE	3:1	SHEET	1 of 1											

单击下面可查看定价，库存，交付和生命周期等信息

[>>TE Connectivity\(泰科\)](#)