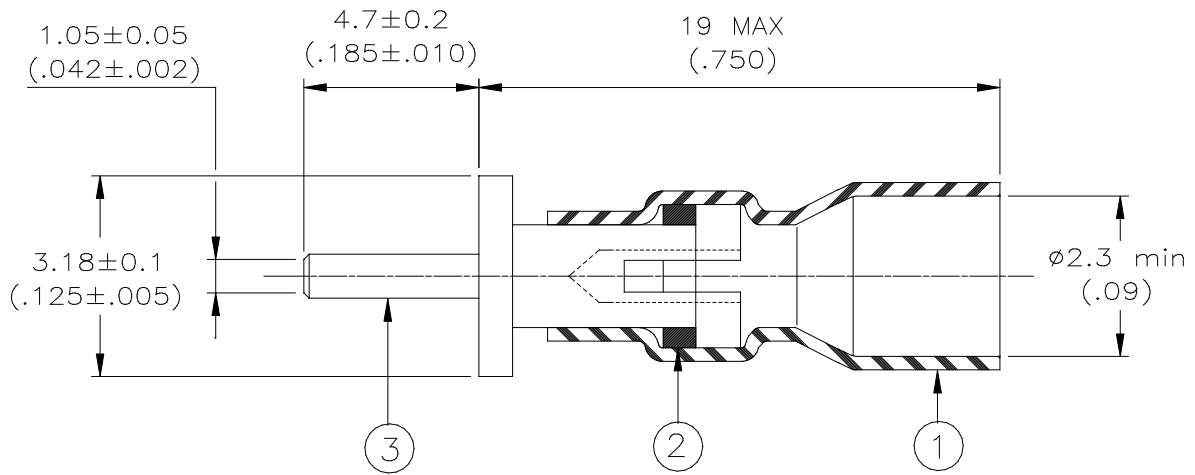


CUSTOMER DRAWING



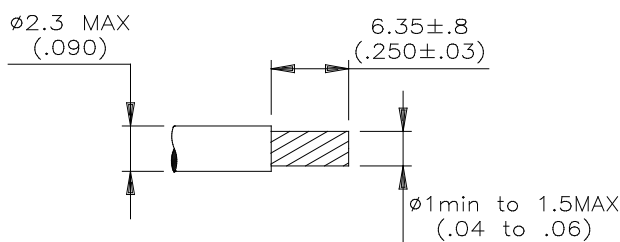
MATERIALS

1. INSULATION SLEEVE: Heat-shrinkable, transparent blue, radiation cross-linked modified polyvinylidene fluoride.
2. SOLDER PREFORM WITH FLUX:
 - SOLDER: TYPE Sn63 per ANSI-J-STD-006.
 - FLUX: TYPE ROL1 per ANSI-J-STD-004.
3. CONTACT PIN: Tin plated brass.
 - Plating: Tin/Lead alloy over Nickel

APPLICATION

1. This part is designed to terminate 16 AWG through 20 AWG silver plated stranded conductors having insulation rated for at least 135°C.
2. This part is designed to terminate to PC boards 3.6-4.6 (.140-.180) thick having plated-thru holes $\text{Ø}1.27\pm0.08$ ($\text{Ø}0.050\pm0.003$).
3. Temperature range: -55°C to +150°C.
Install using TE Connectivity approved convection heating tools.

For best results, prepare the cable as shown:



Twist conductors into their normal lay, prior to termination pre-tinning is recommended.

			TITLE: PCB TERMINATOR 16-20 AWG		
Unless otherwise specified dimensions are in millimeters. [Inches dimensions are shown in brackets]		Raychem Devices	DOCUMENT NO.: D-607-03		
TOLERANCES: 0.00 N/A 0.0 N/A 0 N/A	ANGLES: N/A ROUGHNESS IN MICRON	TE Connectivity reserves the right to amend this drawing at any time. Users should evaluate the suitability of the product for their application.	REV: C1	DATE: April 16, 2021	
REVISED BY: UNGUYEN	CAGE CODE: 06090	ECO NUMBER: ECO-21-004760	SCALE: NTS	SIZE: A	SHEET: 1 of 1

© 1998-2011 Tyco Electronics Corporation. All rights reserved.

If this document is printed it becomes uncontrolled. Check for the latest revision

单击下面可查看定价，库存，交付和生命周期等信息

[>>TE Connectivity\(泰科\)](#)