

THIS DRAWING IS UNPUBLISHED.

RELEASED FOR PUBLICATION

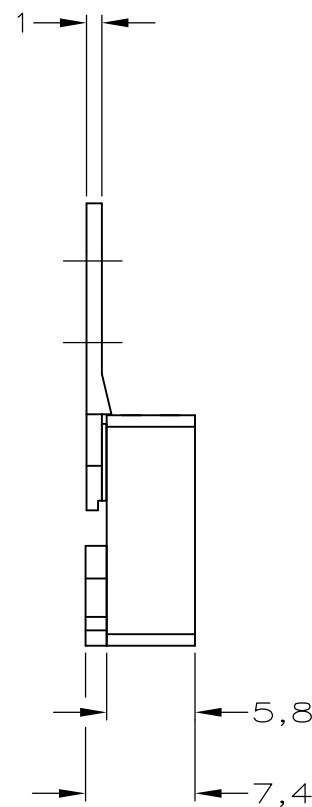
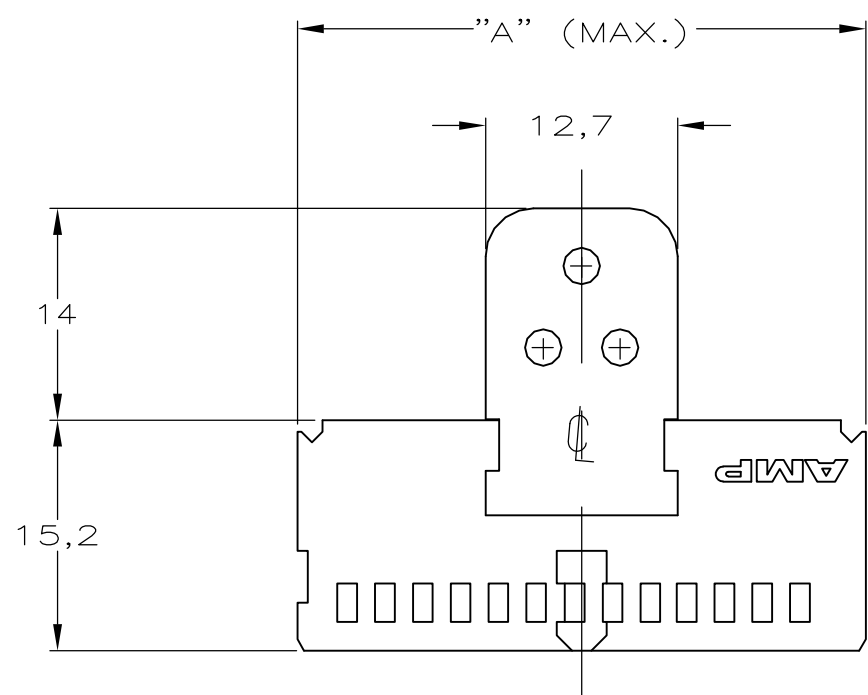
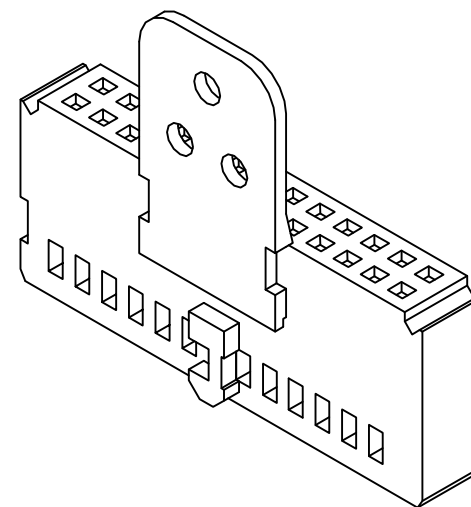
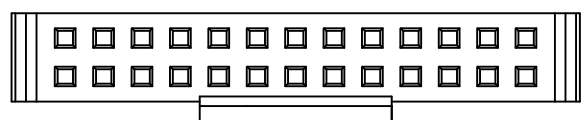
-. - .

© COPYRIGHT - By -

ALL RIGHTS RESERVED.


LOC	DIST	REVISIONS			
P	LTR	DESCRIPTION	DATE	DWN	APVD
H	-				
	A	P/N 216038-6 REACTIVATED	11FEB2013	SMT	RP

1 OBSOLETE PARTS: OBSOLETE CIS STREAMLINING PER D.RENAUD/D.SINISI



1 OBSOLETE

3.380 (85.85)	64	1-216038-2
3.180 (80.77)	60	1-216038-1
2.680 (68.07)	50	1-216038-0
2.380 (60.45)	44	1-216038-3
2.180 (55.37)	40	216038-9
1.880 (47.75)	34	216038-8
1.680 (42.67)	30	216038-7
1.480 (37.59)	26	216038-6
1.380 (35.05)	24	216038-5
1.180 (29.97)	20	216038-4
.980 (24.89)	16	216038-3
.880 (22.35)	14	216038-2
.680 (17.27)	10	216038-1
DIM. "A"	NO. OF POS.	PARTNUMBER

THIS DRAWING IS A CONTROLLED DOCUMENT.		DWN L.V.D.HEYDEN 08.06.1988	 TE Connectivity			
DIMENSIONS: mm		CHK R.ANNOKKEE				
TOLERANCES UNLESS OTHERWISE SPECIFIED:		APVD L.V.SOEST	NAME HSG ASSY MOD IV DUAL ROW .100CL WITH STRAIN RELIEF			
0 PLC ±0,2 1 PLC ±- 2 PLC ±- 3 PLC ±- 4 PLC ±- ANGLES ±-		PRODUCT SPEC -				
MATERIAL -	FINISH -	APPLICATION SPEC -	SIZE A3	CAGE CODE 00779	DRAWING NO C-216038	RESTRICTED TO -
CUSTOMER DRAWING			SCALE 1:2	SHEET 1 OF 1	REV A	

单击下面可查看定价，库存，交付和生命周期等信息

[>>TE Connectivity\(泰科\)](#)