

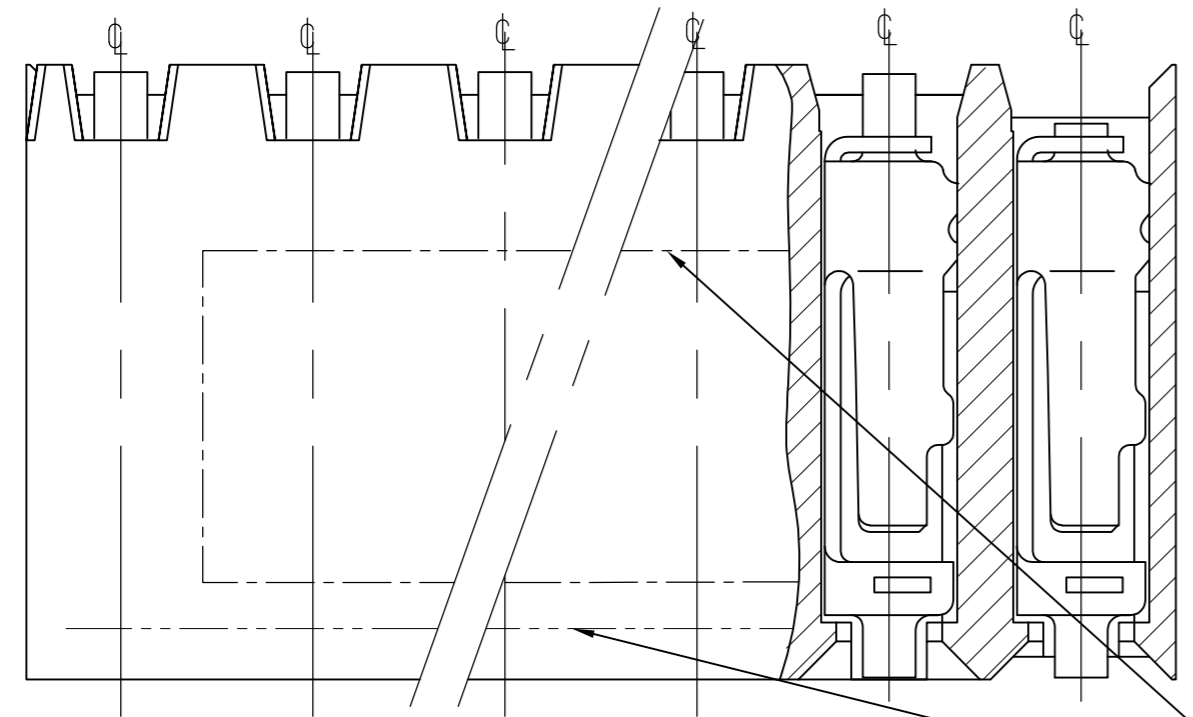
THIS DRAWING IS UNPUBLISHED. RELEASED FOR PUBLICATION
 © COPYRIGHT - By - ALL RIGHTS RESERVED.

LOC		DIST		REVISIONS			
P	LTR	DESCRIPTION	DATE	DWN	APVD		
IR	-	H8	REACTION OF 2-216604-5	02SEP2014	NV	JK	

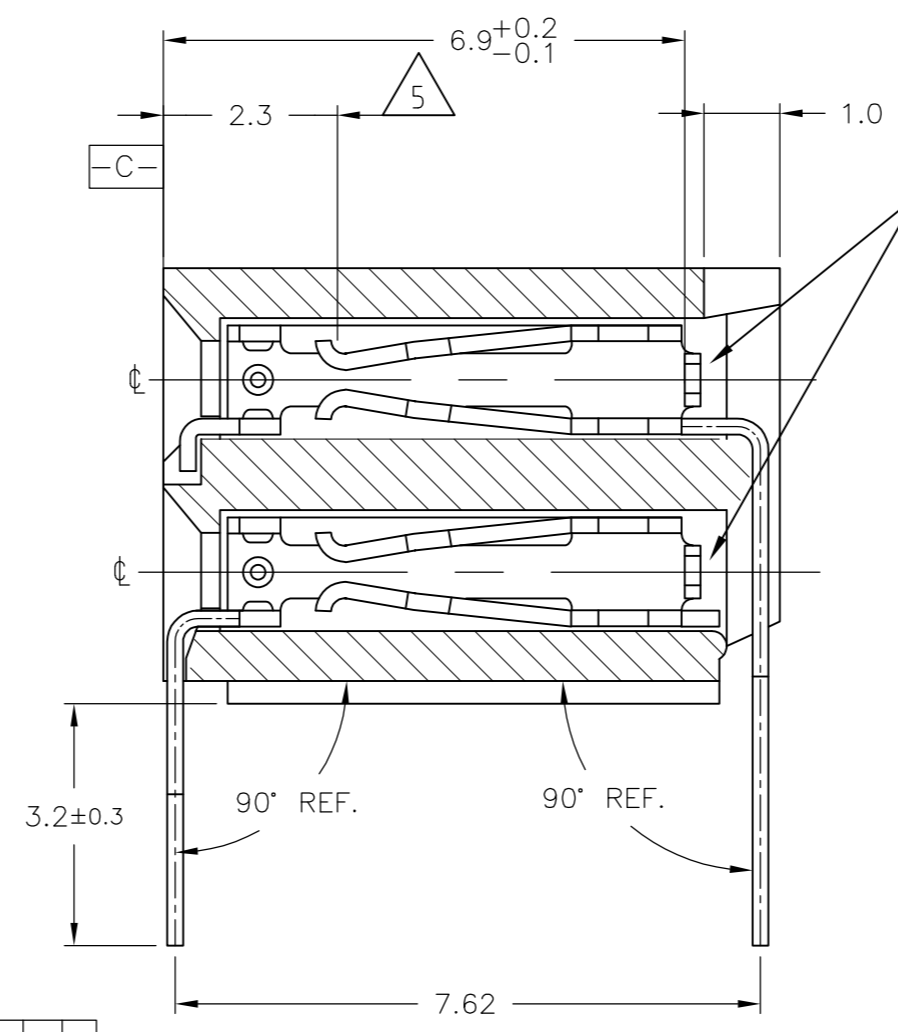
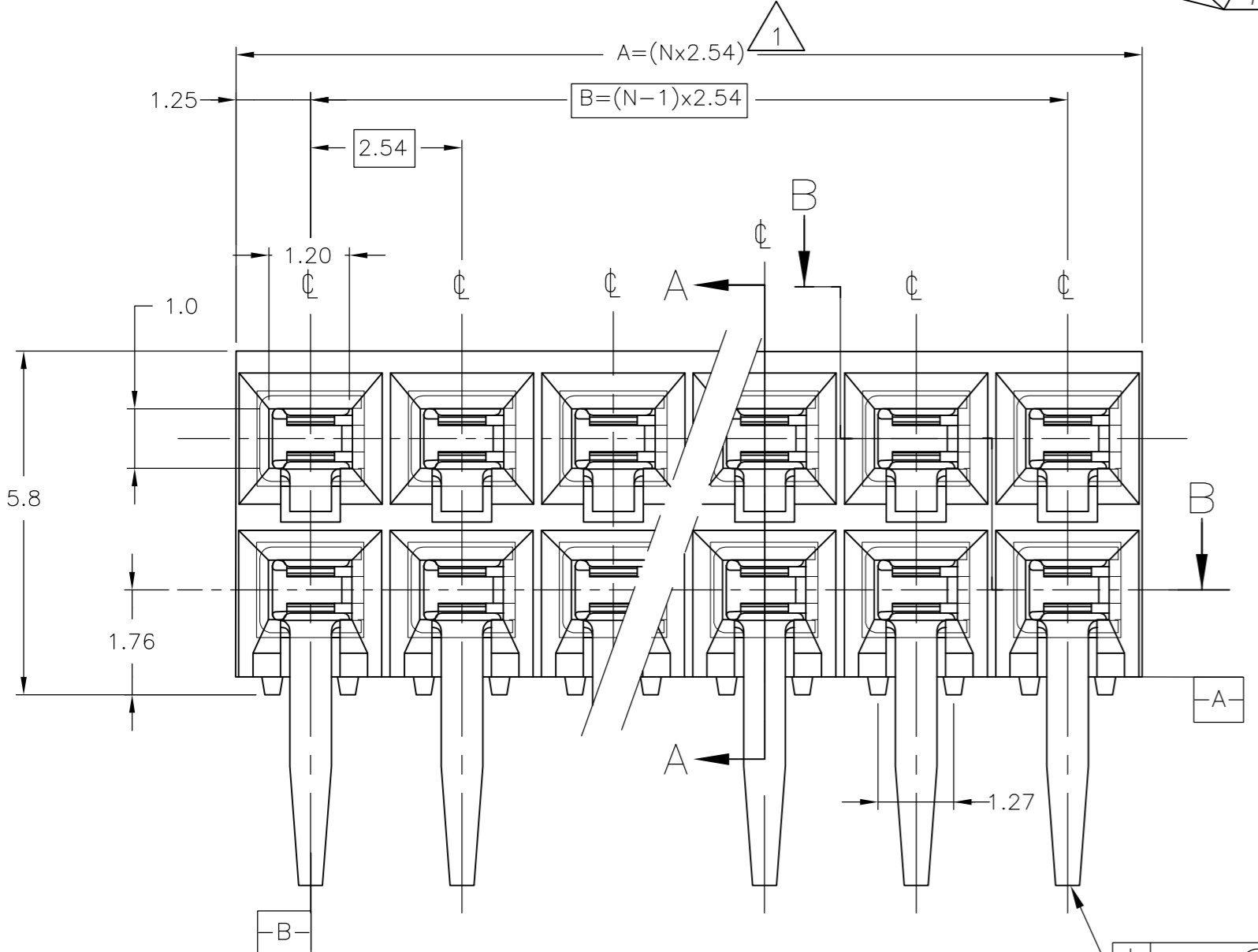
PART NUMBER	'N' POS. PER ROW	DIMENSIONS	
		A	B
216604-2	2	5.08	2.54
216604-3	3	7.62	5.08
216604-4	4	10.16	7.62
216604-5	5	12.70	10.16
216604-6	6	15.24	12.70
216604-7	7	17.78	15.24
216604-8	8	20.32	17.78
OBSOLETE 216604-9	9	22.86	20.32
1-216604-0	10	25.4	22.86
1-216604-1	11	27.94	25.4
1-216604-2	12	30.48	27.94
1-216604-3	13	33.02	30.48
OBSOLETE 1-216604-4	14	35.56	33.02
OBSOLETE 1-216604-5	15	38.1	35.56
1-216604-6	16	40.64	38.1
1-216604-7	17	43.18	40.64
1-216604-8	18	45.72	43.18
OBSOLETE 1-216604-9	19	48.26	45.72
2-216604-0	20	50.8	48.26
2-216604-1	21	53.34	50.8
OBSOLETE 2-216604-2	22	55.88	53.34
2-216604-3	23	58.42	55.88
2-216604-5	25	63.5	60.96
2-216604-7	27	68.58	66.04
OBSOLETE 3-216604-0	30	76.2	73.66
3-216604-2	32	81.28	78.74
3-216604-5	35	88.9	86.36
OBSOLETE 4-216604-0	40	101.6	99.06
OBSOLETE 4-216604-6	46	116.84	114.3
OBSOLETE 6-216604-4	64	162.56	160.02
OBSOLETE 6-216604-5	65	165.1	162.56

NOTES:

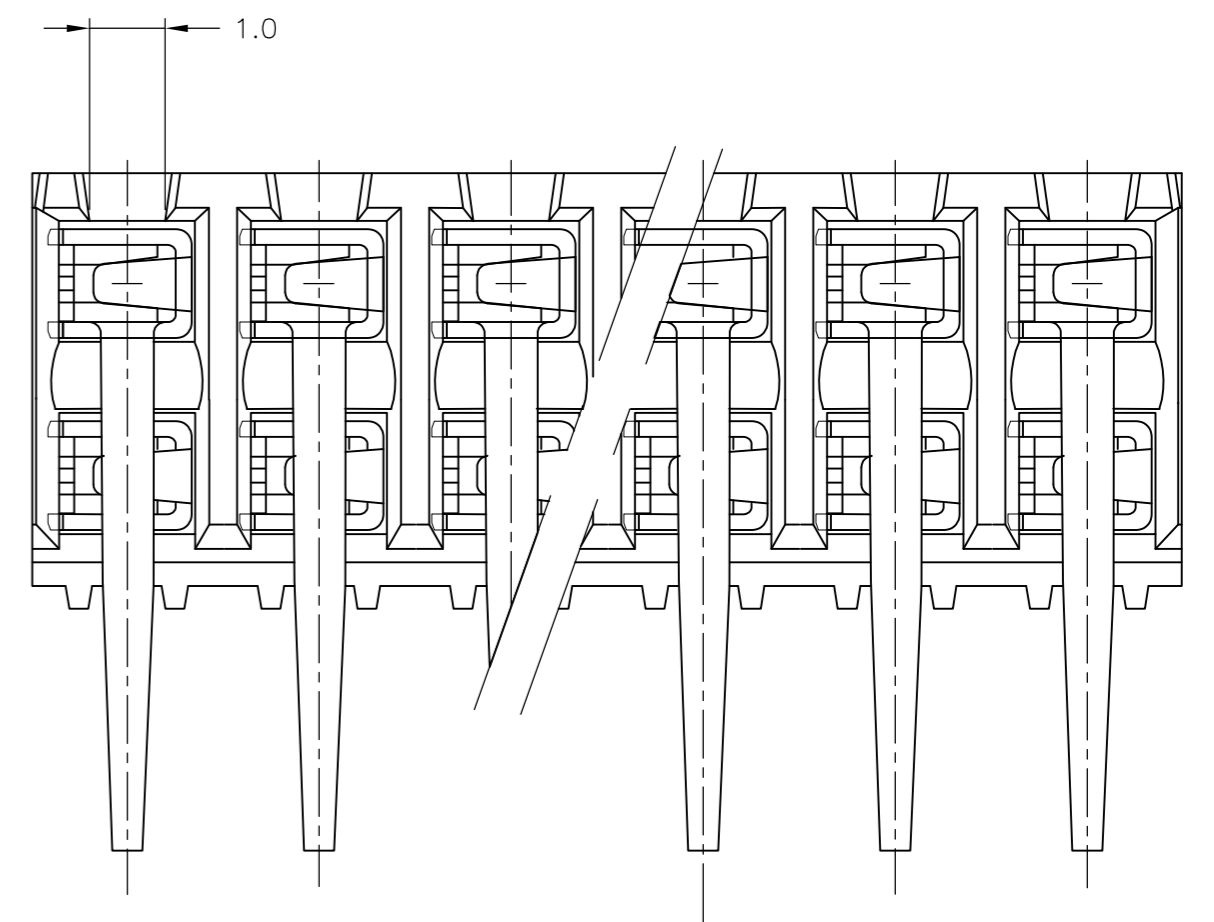
- 1 TO DETERMINE DIMENSION TAKE N= NR. OF POS. FOR EXAMPLE, 10 POS., $N \times 2.54 = 25.4\text{mm}$. FOR ORDER NR. USE BASIC NR. + NR. OF POS. FOR EXAMPLE, 2 POS. = 216604-2 (SHORTEST VERSION) 65 POS. = 6-216604-5 (LONGEST VERSION)
- 2 HOUSING MATERIAL, GREEN GLASS FILLED POLYESTER, UL 94V-0 CONTACT MATERIAL, PHOSPHOR BRONZE.
- 3 PLATING, UNDERCOATING, 1.3µm Ni AT CONT.PLACE, 0.8µm Au AT SOLDER-TINES, 3.0-5.0µm TIN
- 4 MATES WITH 0.63 SQUARE/ROUND MODU POSTS
- 5 CONTACT POINT
- 6 RECOMMENDED P.C.BOARD THICKNESS 1.6mm
- 7 PRINTED: THE WORD "TE" [FOR 2 TO 6 POS] THE WORD "TE" & PRODUCTION DATE [FOR 7 TO 12 POS] THE WORD "TE", PRODUCTION DATE & BASIC PART NO. [FOR 13 TO 65 POS] AND A DASHED LINE OVER THE LENGTH OF HOUSING TO INDICATE CONTACT MATING SIDE.



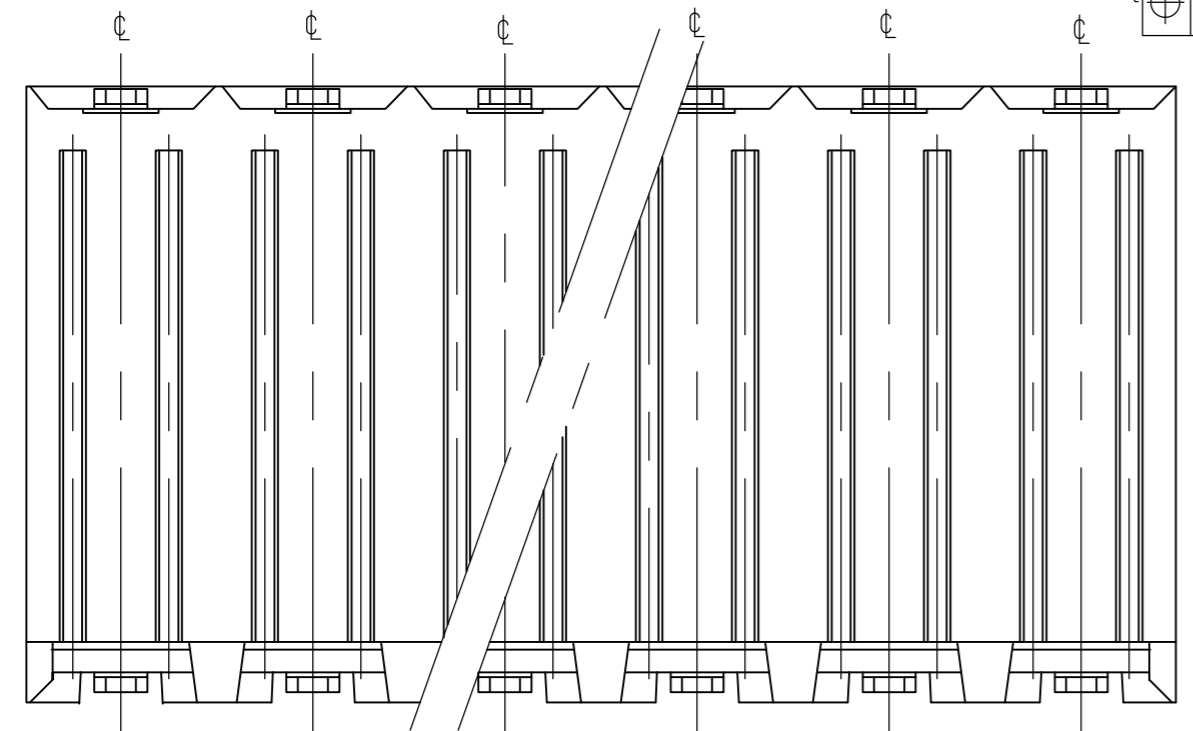
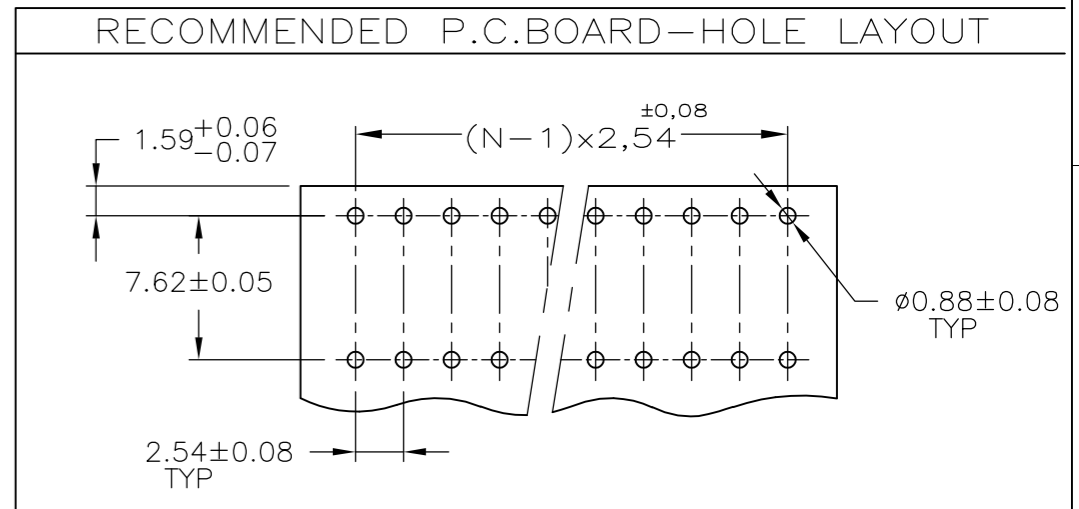
SECTION B-B/TOP VIEW



SECTION A-A



REAR VIEW



BOTTOM VIEW

THIS DRAWING IS A CONTROLLED DOCUMENT.		DWN W.R.ANNOKKEE 19-12-91	TE Connectivity	
DIMENSIONS: mm		CHK R. de Blicck 07 NOV 95		
TOLERANCES UNLESS OTHERWISE SPECIFIED: ±0.15		APVD R.SMEETS 07-NOV-95	NAME HV 190 HOR. ASSY DUAL ROW, GOLD VERSION, MAX. 2X65 POSITIONS	
0 PLC ± -		PRODUCT SPEC 108-19072	SIZE A2	CAGE CODE 00779
1 PLC ± -		APPLICATION SPEC	DRAWING NO C=216604	RESTRICTED TO -
2 PLC ± -			SCALE 10:1	SHEET 1 OF 1
3 PLC ± -			REV H8	
4 PLC ± -				
4 PLC ANGLES ± -				
MATERIAL	FINISH	WEIGHT -		
CUSTOMER DRAWING				

单击下面可查看定价，库存，交付和生命周期等信息

[>>TE Connectivity\(泰科\)](#)