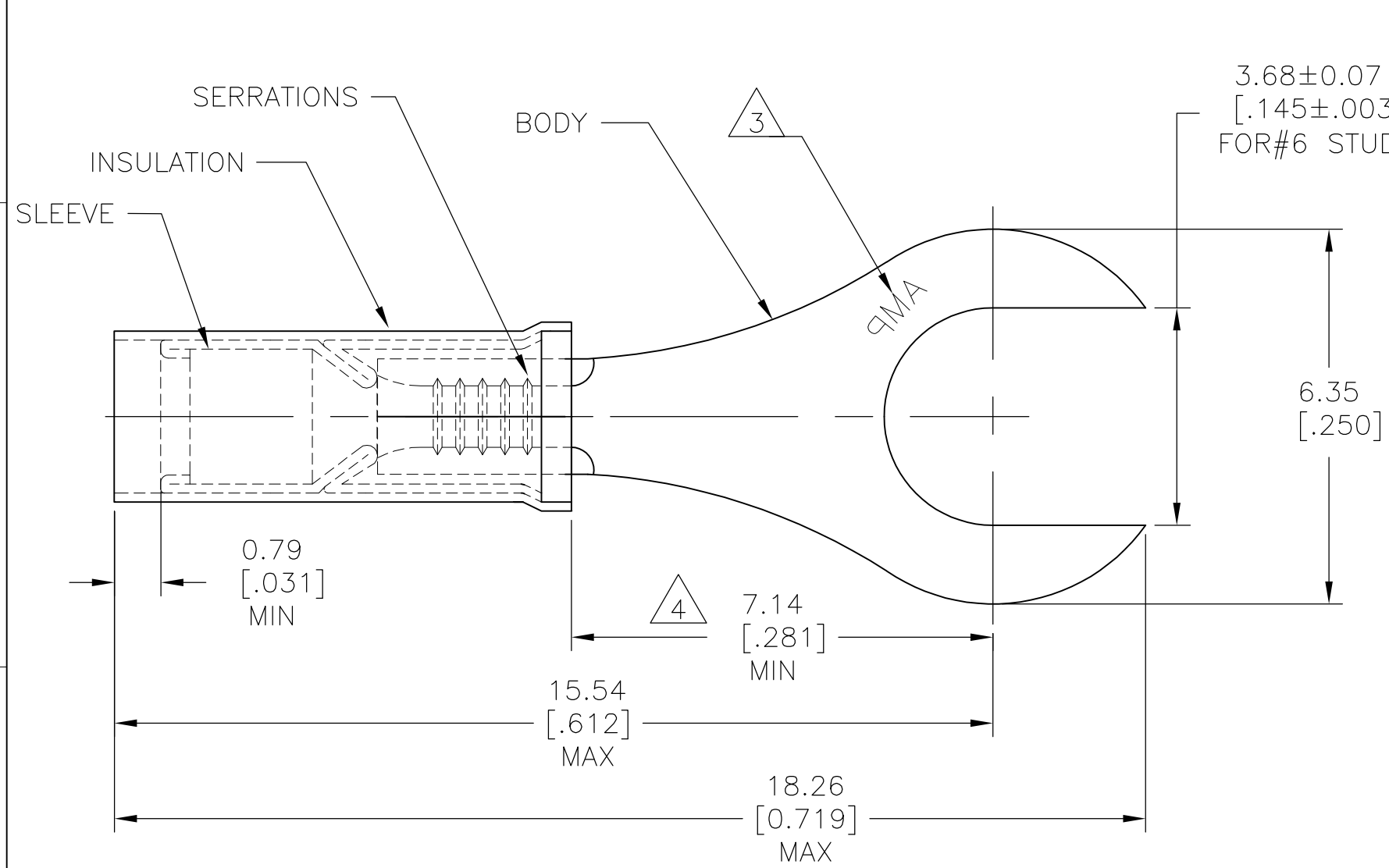


THIS DRAWING IS UNPUBLISHED. RELEASED FOR PUBLICATION  
 © COPYRIGHT - By - ALL RIGHTS RESERVED.

| LOC | DIST | REVISIONS |     |                               |         |     |      |
|-----|------|-----------|-----|-------------------------------|---------|-----|------|
|     |      | P         | LTR | DESCRIPTION                   | DATE    | DWN | APVD |
| -   | -    |           | R2  | NEW DRAWING PER ECO-11-019045 | 03APR12 | KH  | DR   |



**AMP**  
WIRE RANGE

---

26-22 AWG  
STRANDED

- 1 TONGUE MATERIAL THK: 0.46±0.05[.018±.002]
- 2 FOR WIRE INSULATION DIA: 1.27[.050]-2.08[.082]
- 3 STAMP AMP APPROX AS SHOWN,
- 4 DIMENSION APPLIES FROM EDGE OF METAL WIRE BARREL TO CENTER OF STUD.
- 5 MATERIAL: BODY & SLEEVE: COPPER PER ASTM B152. INSULATION : NYLON
- 6 FINISH: BODY & SLEEVE: TIN PLATE PER ASTM B545. INSULATION: COLOR-YELLOW.

|      |               |            |
|------|---------------|------------|
| 4000 | ON TAPE, REEL | 2-323011-2 |
| 1000 | LOOSE PIECE   | 323011     |
| QTY  | PACKAGE TYPE  | PART NO    |

**AMP INCORPORATED**  
**CUSTOMER SERVICE SYSTEMS**

FOR ADDITIONAL PRODUCT INFORMATION OR COPIES OF DRAWINGS AND TECHNICAL DOCUMENTS: PRODUCT INFORMATION CENTER 1-800-522-6752

FOR APPLICATION TOOLING INFORMATION: TOOLING ASSISTANCE CENTER 1-800-722-1111

FOR ORDER ENTRY: 1-800-526-5142

RECOMMENDED OPERATING TEMPERATURE: -

VOLTAGE RATING: -

WIRE CROSS SECTIONAL AREA RANGE: 0.10-0.41mm<sup>2</sup> [202-810] CIR.MIL STRANDED

THIS DRAWING IS A CONTROLLED DOCUMENT.

DIMENSIONS: mm [INCHES]

TOLERANCES UNLESS OTHERWISE SPECIFIED:

|        |              |
|--------|--------------|
| 0 PLC  | ± -          |
| 1 PLC  | ± -          |
| 2 PLC  | ± 0.20[.008] |
| 3 PLC  | ± -          |
| 4 PLC  | ± -          |
| ANGLES | ± 5°         |

MATERIAL: 5

FINISH: 6

|                           |                 |                             |              |
|---------------------------|-----------------|-----------------------------|--------------|
| DWN KIRAN HOLAL 03APR12   | TE Connectivity | NAME                        |              |
| CHK ROHDE DANIEL 03APR12  |                 | WIRE TERMINAL               |              |
| APVD ROHDE DANIEL 03APR12 |                 | P.I.D.G SLOTTED RING TONGUE |              |
| PRODUCT SPEC              |                 | WIRE SIZE 26-22             |              |
| APPLICATION SPEC          | SIZE            | CAGE CODE                   | DRAWING NO   |
| WEIGHT -                  | A3              | 00779                       | C-323011     |
| CUSTOMER DRAWING          |                 | SCALE 10:1                  | SHEET 1 OF 1 |
|                           |                 | REV R2                      |              |

单击下面可查看定价，库存，交付和生命周期等信息

[>>TE Connectivity\(泰科\)](#)