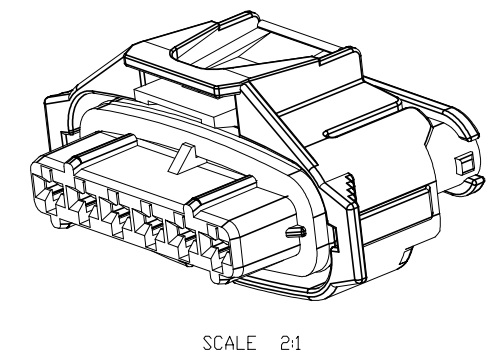
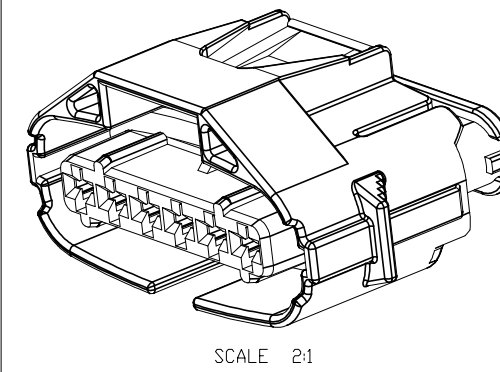
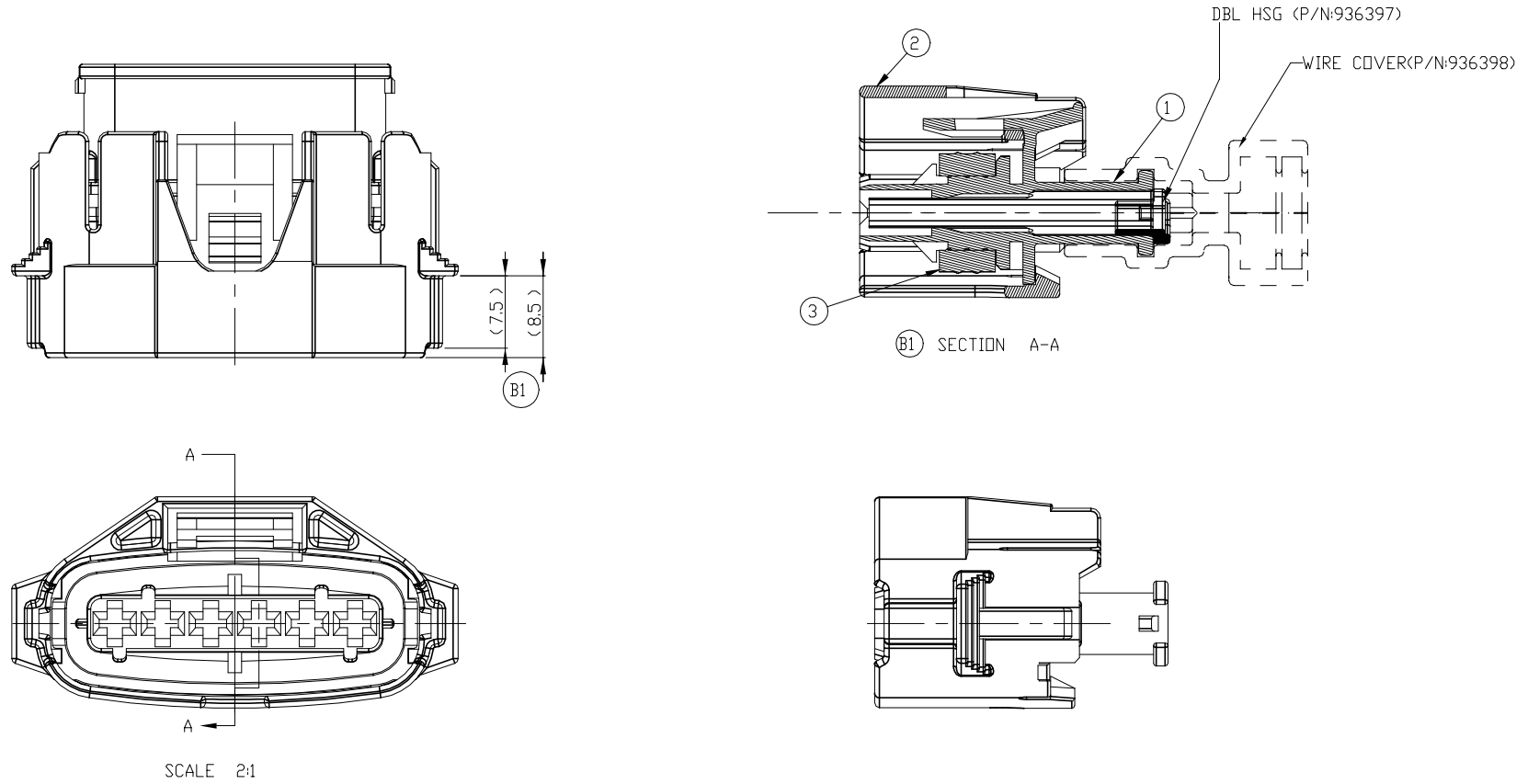
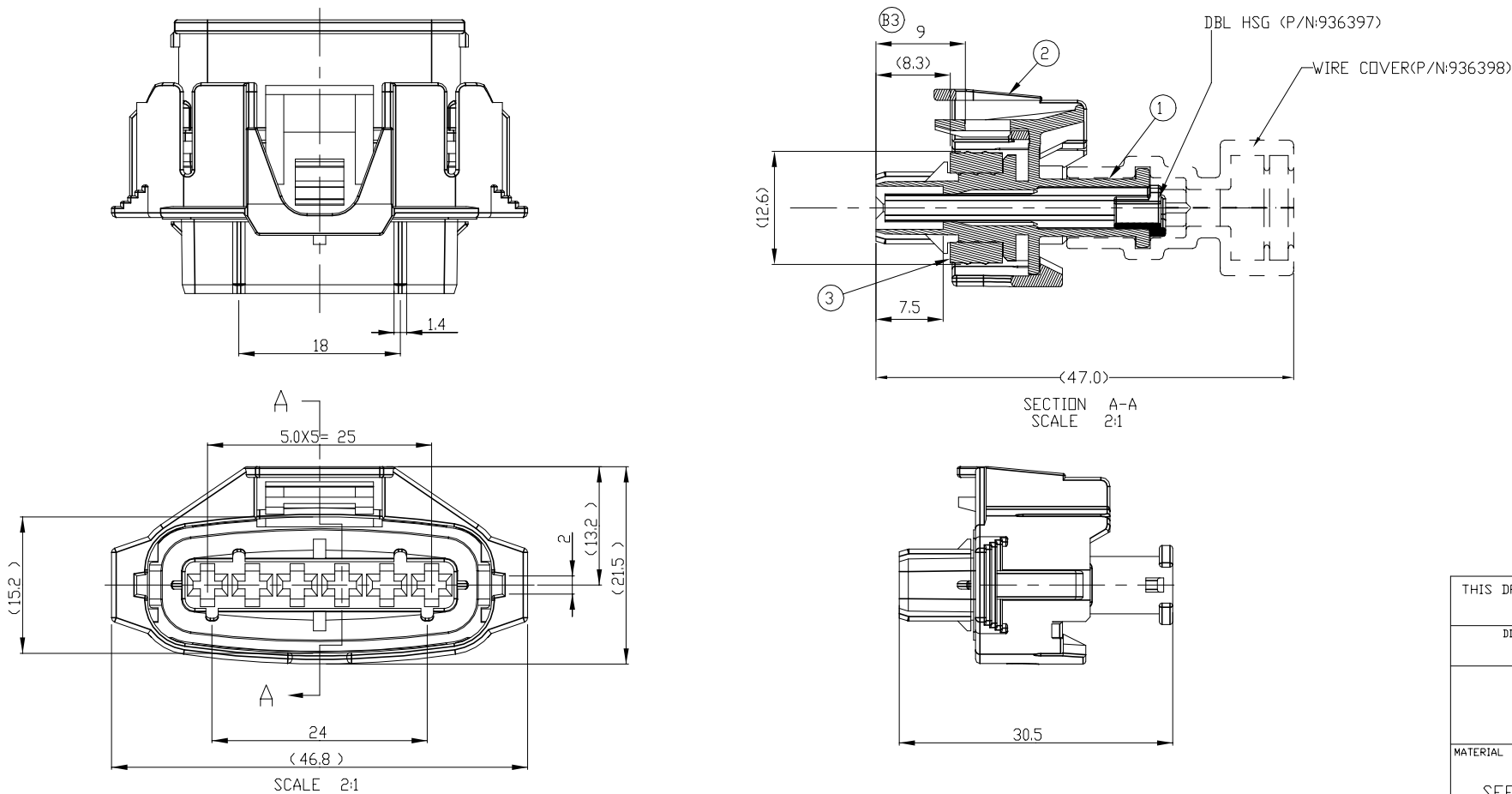


REVISIONS					
P	LTR	DESCRIPTION	DATE	DWN	APVD
B		REVISED (ECR-15-008999)	06JUL2015	SJ	HG
B1		REVISED (ECR-20-011402)	02SEP2020	CI	YJ
B2		REVISED (ECR-20-014410)	01DEC2020	CI	YJ
B3		REVISED (ECR-21-001740)	10FEB2021	CI	YJ

① 1-936394-3



② 0-936394-2



- NOTE
- GENERAL TOLRANCE : ± 0.3 , $\pm 1^\circ$
 - 0.15 MAX. WARPAGE AND 0.2 MAX. FLASH PERMISSIBLE
 - SURFACE DEFECTS ARE NOT ACCEPTABLE AS FOLLOW:
SINK, WELD LINES, HAIRCRACKS, SATIN & SCORES
 - APPLIED RECEPTACLE CONTACT P/N:
- | DESCRIPTION | 2.8mm SENSOR-FLAT RECEPTACLE |
|------------------------------|------------------------------|
| PART NO. | 967542 967543 |
| WIRE SIZE (mm ²) | 0.5~1.0 1.25~2.5 |
- APPLIED WIRE SEAL P/N:
- | DESCRIPTION | SINGLE-WIRE SEAL (5mm HOLE) |
|------------------------------|-----------------------------|
| PART NO. | 828904 828905 |
| WIRE SIZE (mm ²) | 1.2~2.1 2.2~3.0 |

NO.	P/N	DESCRIPTION	COLOR	MATERIAL	QTY
④	936855-1	INNER SEAL	RED ORANGE	SILICONE (LSR)	1
③	1-936396-3	PROTECTOR HSG	GRAY	PA66-GF15	1
②	936396-2	PROTECTOR HSG	BLACK	PA66-GF15	1
①	936395-2	PLUG HSG	BLACK	PA66-GF15	1

THIS DRAWING IS A CONTROLLED DOCUMENT.

DIMENSIONS: mm	TOLERANCES UNLESS OTHERWISE SPECIFIED: 0 PLC \pm 1 PLC ± 0.1 2 PLC ± 0.01 3 PLC ± 0.001 4 PLC ± 0.0001 ANGLES \pm FINISH -	DWN S.J. CHOI CHK J.W. JUNG APVD HG CHO PRODUCT SPEC APPLICATION SPEC WEIGHT MATERIAL SEE TABLE	TE Connectivity NAME 2.8mm SEALED 6P PLUG ASSEMBLY SIZE A2 CAGE CODE 00779 DRAWING NO C=936394 RESTRICTED TO CUSTOMER DRAWING
-------------------	---------------------------------------------------------------------------------------------------------------------------------------------------------------------	-------------------------------------------------------------------------------------------------------------------------------	-------------------------------------------------------------------------------------------------------------------------------------------------------------

SCALE 1:1 SHEET 1 OF 1 REV B3

单击下面可查看定价，库存，交付和生命周期等信息

[>>TE Connectivity\(泰科\)](#)