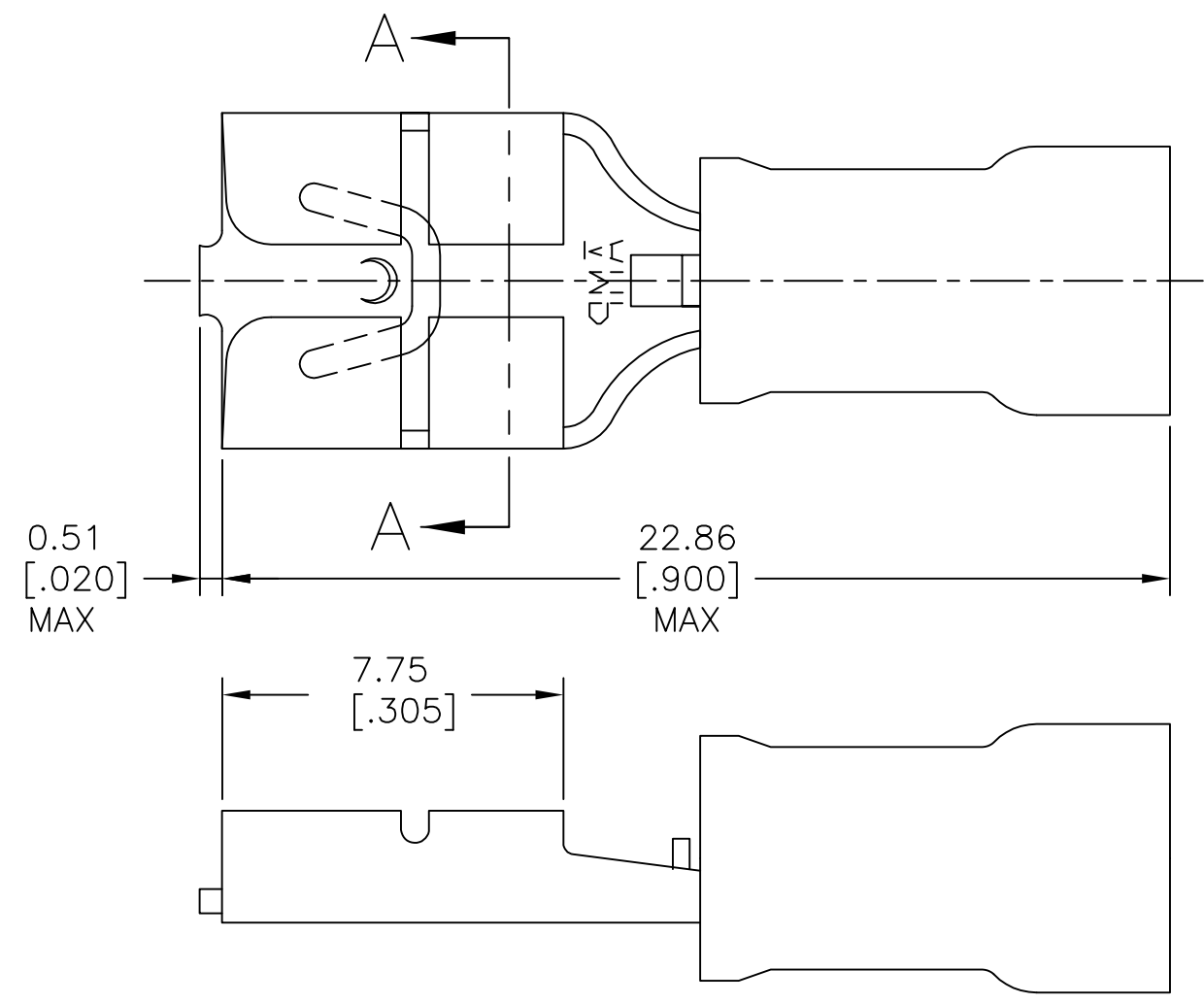
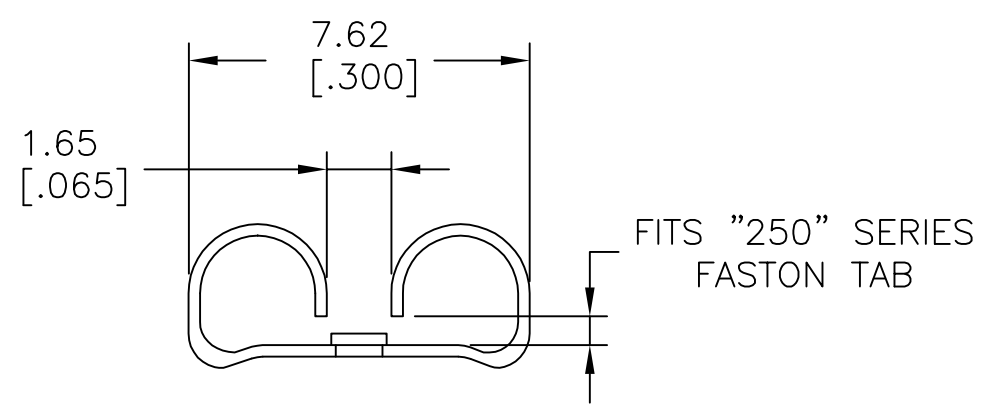


REVISIONS					
P	LTR	DESCRIPTION	DATE	DWN	APVD
	O	REL PER 96-1164-005	10JUN96	LO	BB
	A	REVISED PER ECO-17-002887	31AUG2017	RS	DR



- 1 INSULATION  $\phi 3.43$  [ $\phi .135$ ] MAX.
- 2 FITS TAB 0.81 [ $.032$ ] THK.
- △3 MATERIAL:  
 BODY : BRASS PER ASTM B36,  $0.46 \pm 0.05$  [ $.018 \pm .002$ ].  
 SLEEVE : COPPER PER ASTM B152.  
 INSULATION : NYLON PER ASTM D4066.
- △4 FINISH:  
 BODY & SLEEVE : TIN PLATE  $0.00254$  [ $.000100$ ] MIN. EXT. THK PER ASTM B545.



-	LOOSE PIECE	184262-1
QTY	PACKAGE TYPE	PART NO

AMP INCORPORATED CUSTOMER SERVICE SYSTEM		MAX RECOMMENDED OPERATING TEMPERATURE: -	THIS DRAWING IS A CONTROLLED DOCUMENT.		DWN L OLMEDA 29MAY96	TE Connectivity RECEPTACLE, 250 SERIES, LOW INSERTION FORCE, FASTON™, PIDG™, WIRE SIZE, 22-18 AWG						
FOR ADDITIONAL PRODUCT INFORMATION OR COPIES OF DRAWINGS AND TECHNICAL DOCUMENTS	PRODUCT INFORMATION CENTER 1-800-522-6752	VOLTAGE RATING: -	DIMENSIONS: mm [INCHES]	TOLERANCES UNLESS OTHERWISE SPECIFIED:	CHK M ELLIS 29MAY96					NAME	SIZE	CAGE CODE
FOR APPLICATION TOOLING INFORMATION	TOOLING ASSISTANCE CENTER 1-800-722-1111	CIRCULAR MIL AREA: -		0 PLC ± - 1 PLC ± - 2 PLC ± 0.38 [.015] 3 PLC ± - 4 PLC ± - ANGLES ± -	APVD B BARE 29MAY96	APPLICATION SPEC	114-1002	A3	00779	C=184262	-	
FOR ORDER ENTRY	1-800-526-5142		MATERIAL △3	FINISH △4	PRODUCT SPEC	WEIGHT	-	CUSTOMER DRAWING		SCALE 6:1	SHEET 1 OF 1	REV A

单击下面可查看定价，库存，交付和生命周期等信息

[>>TE Connectivity\(泰科\)](#)