

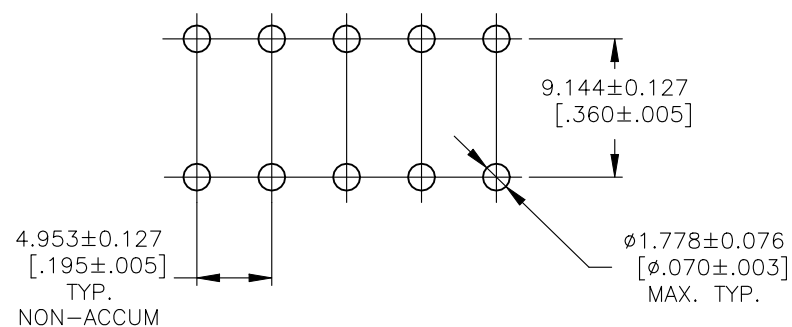
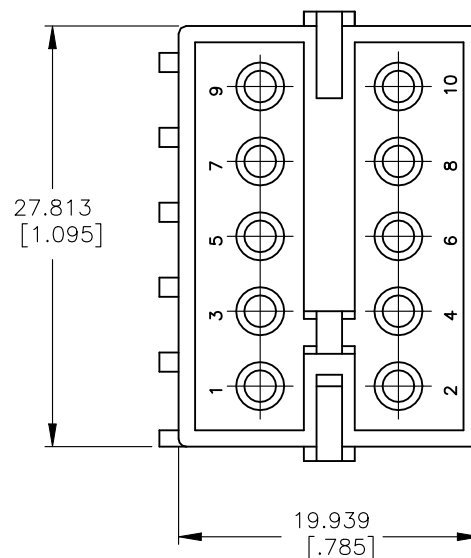
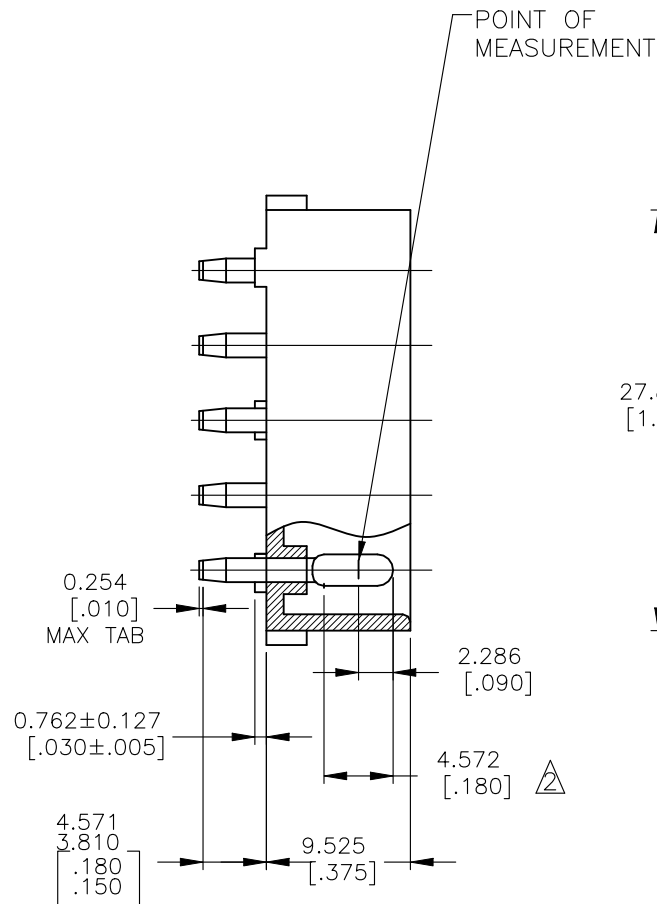
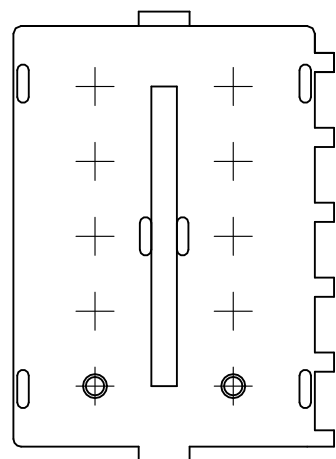
THIS DRAWING IS UNPUBLISHED. RELEASED FOR PUBLICATION

© COPYRIGHT BY TYCO ELECTRONICS CORPORATION. ALL RIGHTS RESERVED.

LOC CM DIST 00

REVISIONS

P	LTR	DESCRIPTION	DATE	DWN	APVD
	A	REVISED PER ECR-21-117185	25OCT2021	PJ	VS



RECOMMENDED LAYOUT FOR 1.575 [.062] THICK P.C. BOARD

- PARTS MUST COMPLY WITH SOLDERABILITY SPEC. 109-11-3.
- CONTACT IS PLATED OVERALL WITH .000050 NICKEL, THEN .000030 GOLD OVER CONTACT LENGTH INDICATED AND MATTE TIN ON SOLDER TAIL END.
- DIMENSION SHOWN REPRESENT PRODUCT IN DRY CONDITION. ADDITIONAL 2% GROWTH DUE TO END USE LOCATION MOISTURE ABSORPTION MAY OCCUR AND SHOULD BE ACCOUNTED FOR.

2-1586544-0	NYLON-NATURAL	COPPER ALLOY-GOLD
ASSEMBLY NO.	HSG, MATL& COLOR	PIN MATL & FINISH

THIS DRAWING IS A CONTROLLED DOCUMENT.		DWN RAGHU 11OCT2005	Tyco Electronics Corporation Harrisburg, PA 17105-3608			
DIMENSIONS: mm [INCHES]		CHK K. WHITAKER 18OCT2005				
TOLERANCES UNLESS OTHERWISE SPECIFIED:		APVD D. COLEY 18OCT2005	NAME 10 CIRCUIT COMMERCIAL MATE-N-LOK (TM) HEADER			
0 PLC ± - 1 PLC ± - 2 PLC ± - 3 PLC ± - 4 PLC ± - ANGLES ± -		PRODUCT SPEC -	APPLICATION SPEC -			
MATERIAL SEE TABLE	FINISH SEE TABLE	WEIGHT -	SIZE A3	CAGE CODE 00779	DRAWING NO C-1586544	RESTRICTED TO -
CUSTOMER DRAWING			SCALE 2:1	SHEET 1 OF 1	REV A	

METRIC

单击下面可查看定价，库存，交付和生命周期等信息

[>>TE Connectivity\(泰科\)](#)